

## AC-N

### NAMUR valve

- Mixed commutation system (spool-poppet)
- High flow rate
- Quick response time
- High cycle rates
- Control: pneumatic, electric
- Suitable for rotating pneumatic actuators used in industrial plants for the distribution of fluids
- NAMUR VDI/VDE 3845 interface



### TECHNICAL FEATURES

Ambient temperature	-10 ÷ 45 °C
Fluid temperature	-10 ÷ 50 °C
Fluid	filtered air 50 µm, lubricated or not
Commutation system	poppet mixed system
Ways/Positions	<b>5/2</b>
Pressure	10 bar max
Control	pneumatic, electric
Return	pneumomechanical spring, pneumatic, electric
Connections	1-3-5: G1/4 2-4: NAMUR interface
Nominal Ø	8 mm
Nominal flow rate	1200 NI/min

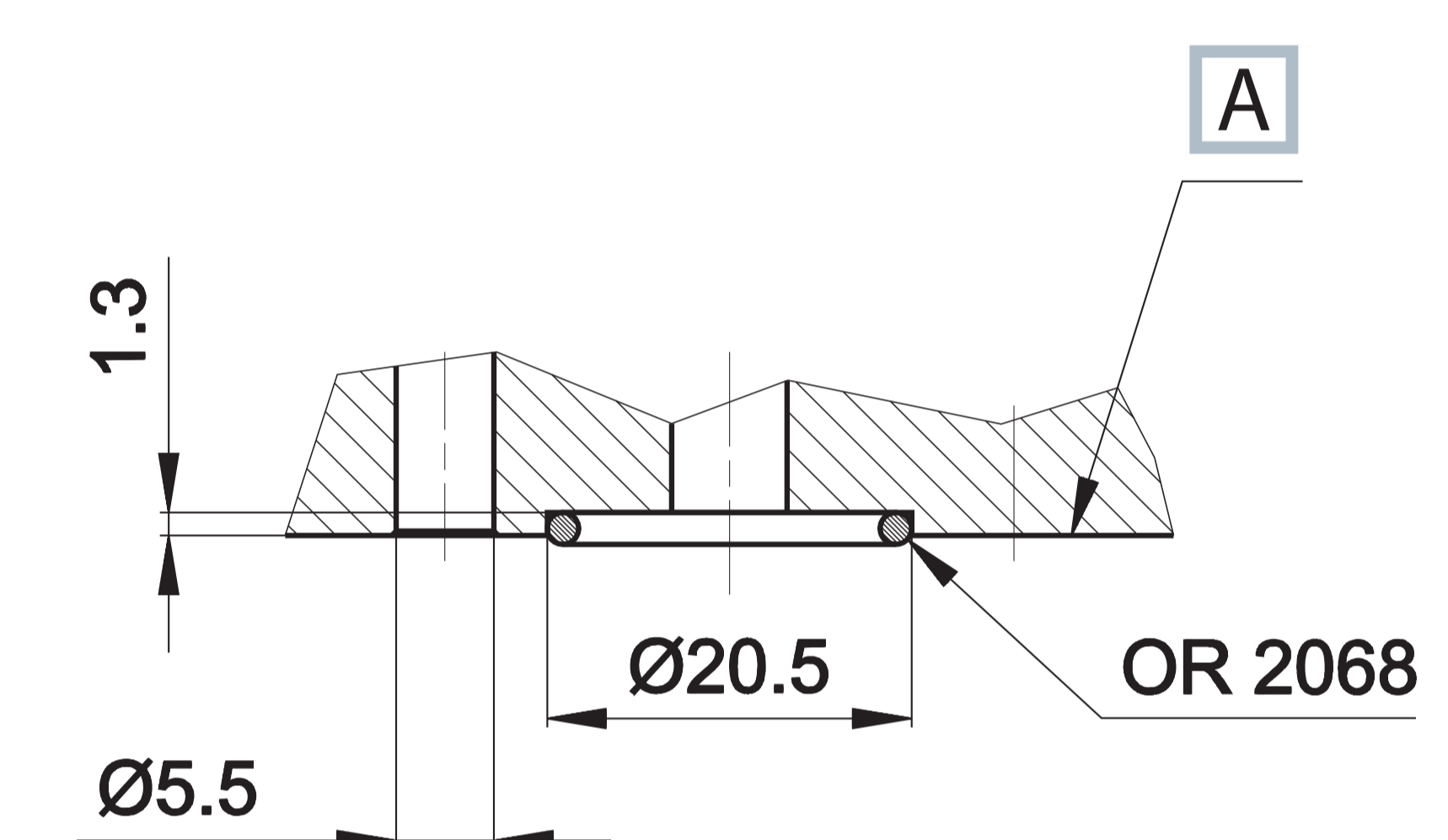
### TECHNICAL FEATURES

Valve body	zamak
Seals	polyurethane - nitrile rubber
Actuators	technopolymer
Spool	aluminium

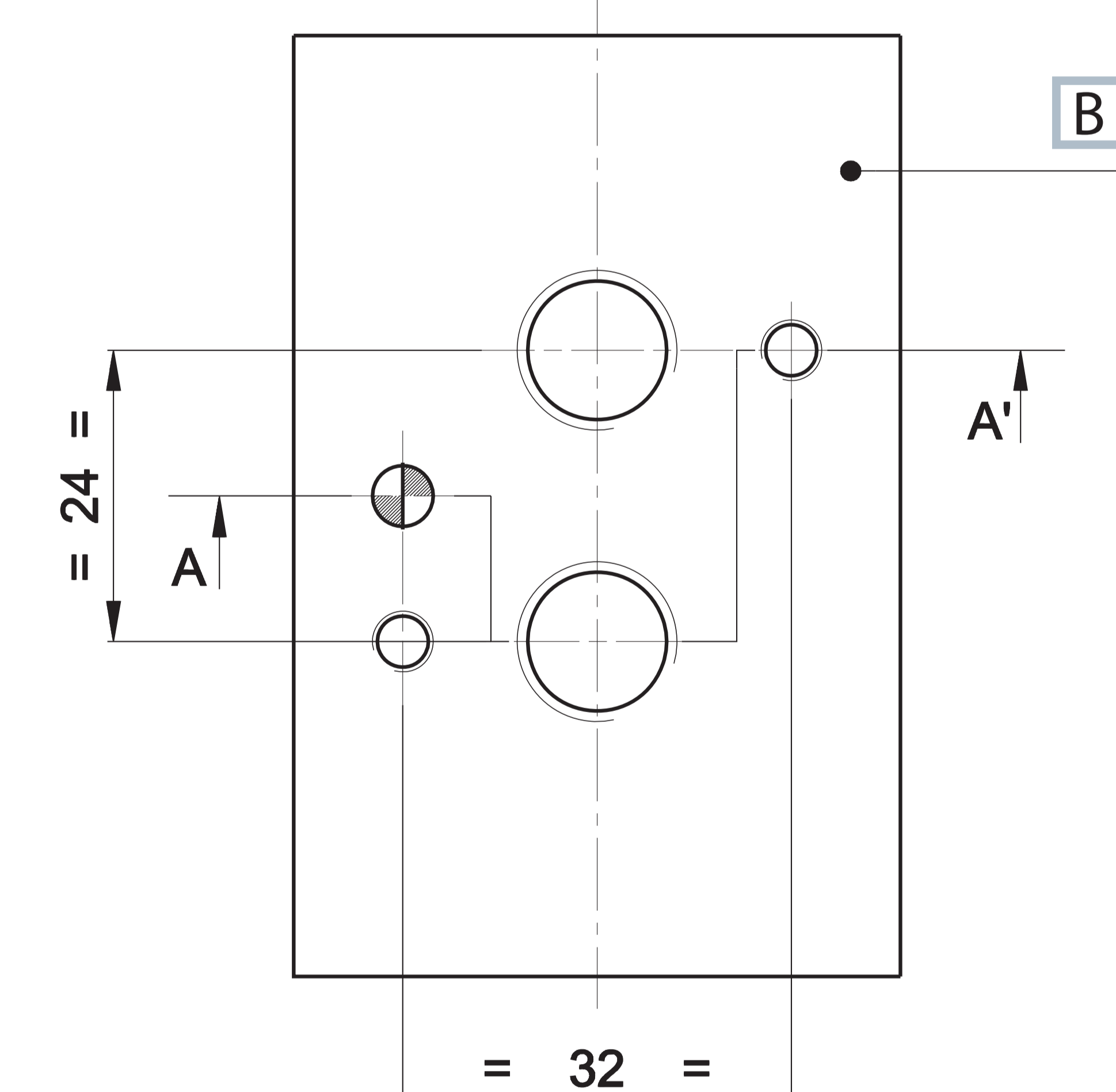
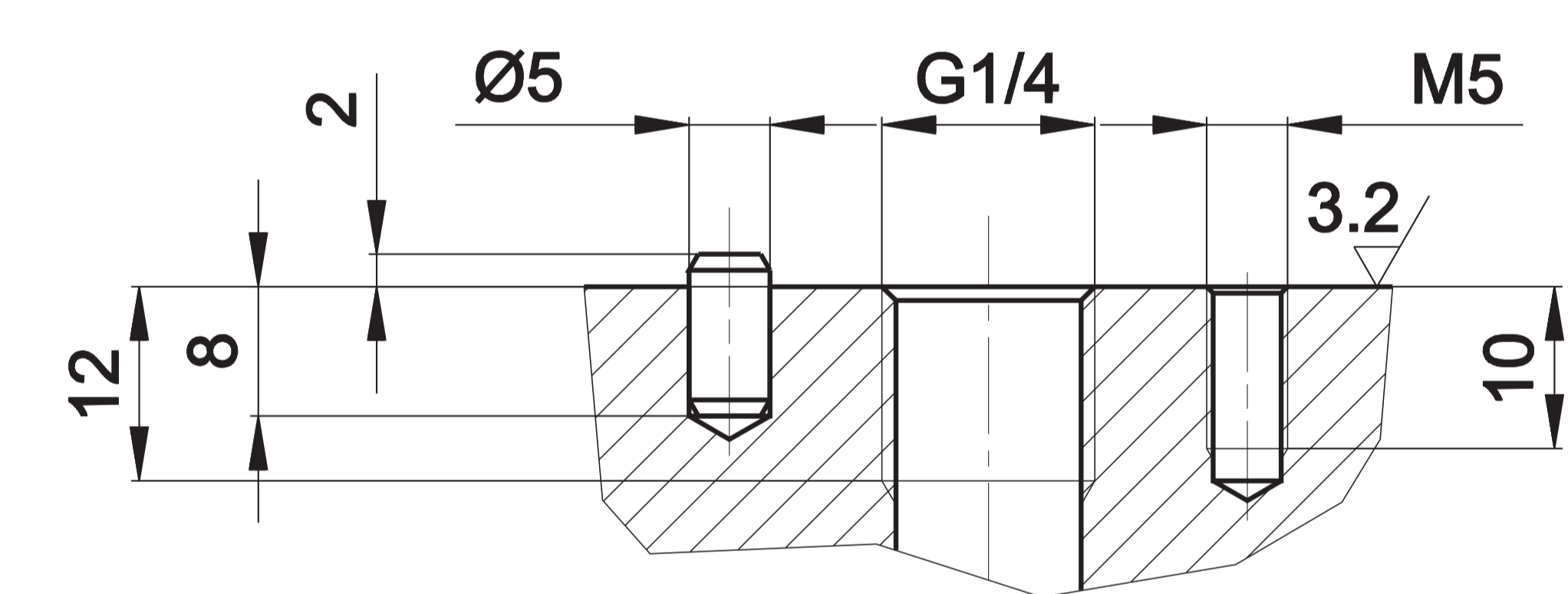
### ELECTRIC FEATURES

Electropilot	U1
Coil	DA
Power consumption	3,5 W (DC) - 5 VA (AC)
Connector	AM-5110
Voltage	12 V DC - 24 V DC - 24 V AC - 110 V AC - 230 V AC
Manual override	with 2 position screw

### NAMUR interface



A-A' section



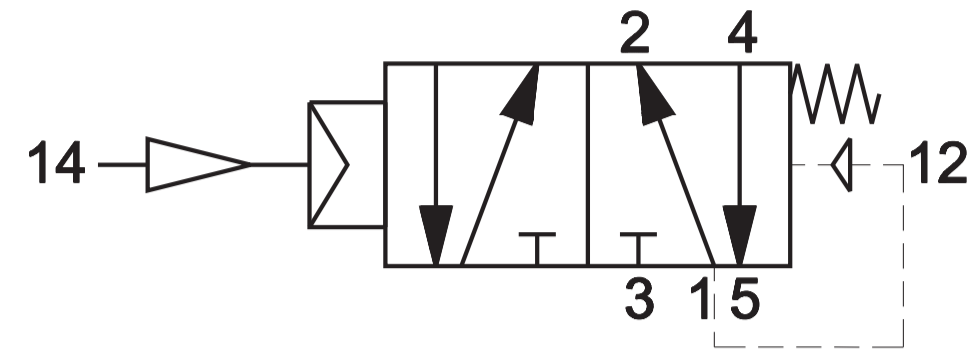
- A Electrovalve surface
- B Flange surface

Upon request:





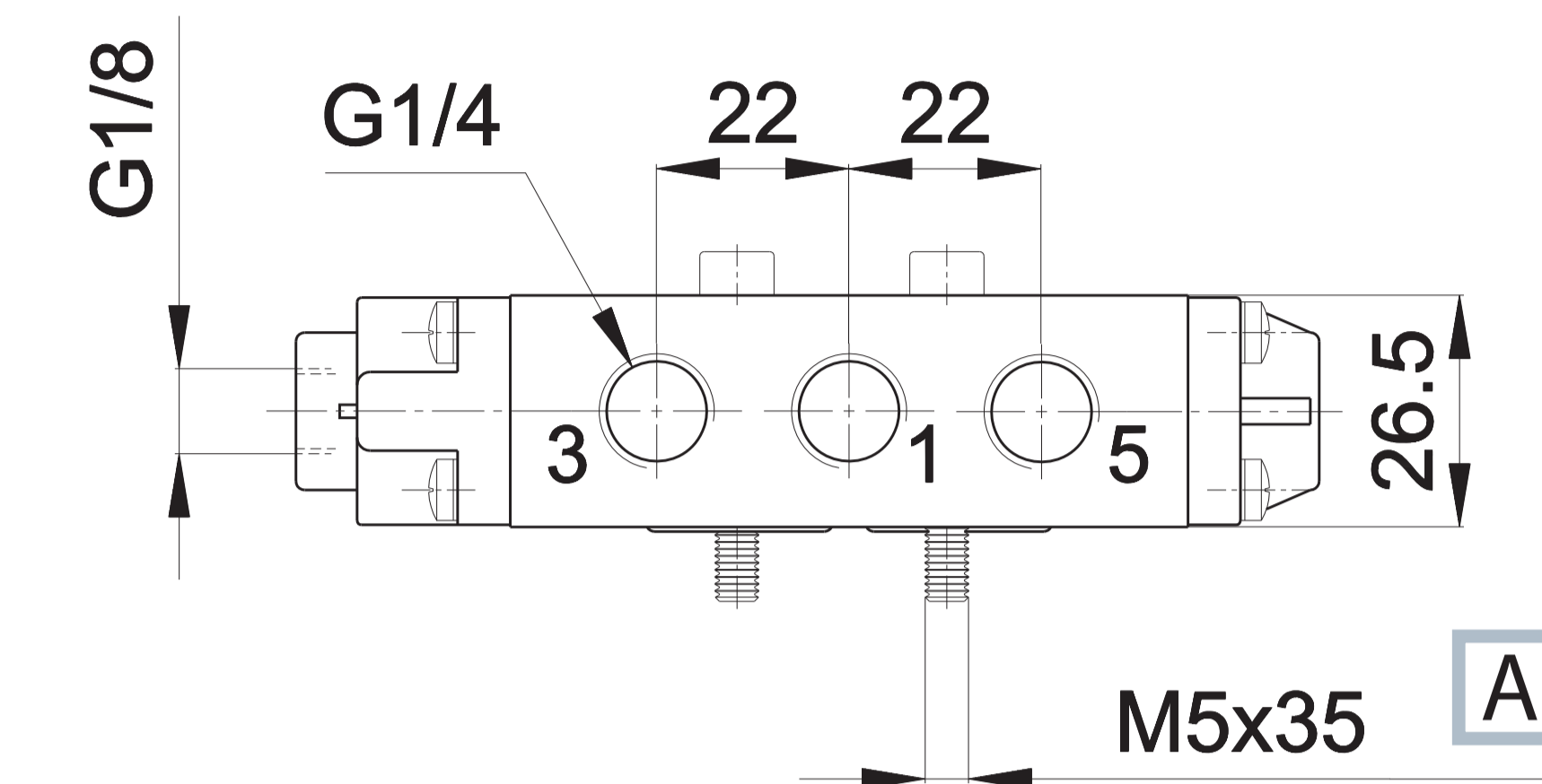
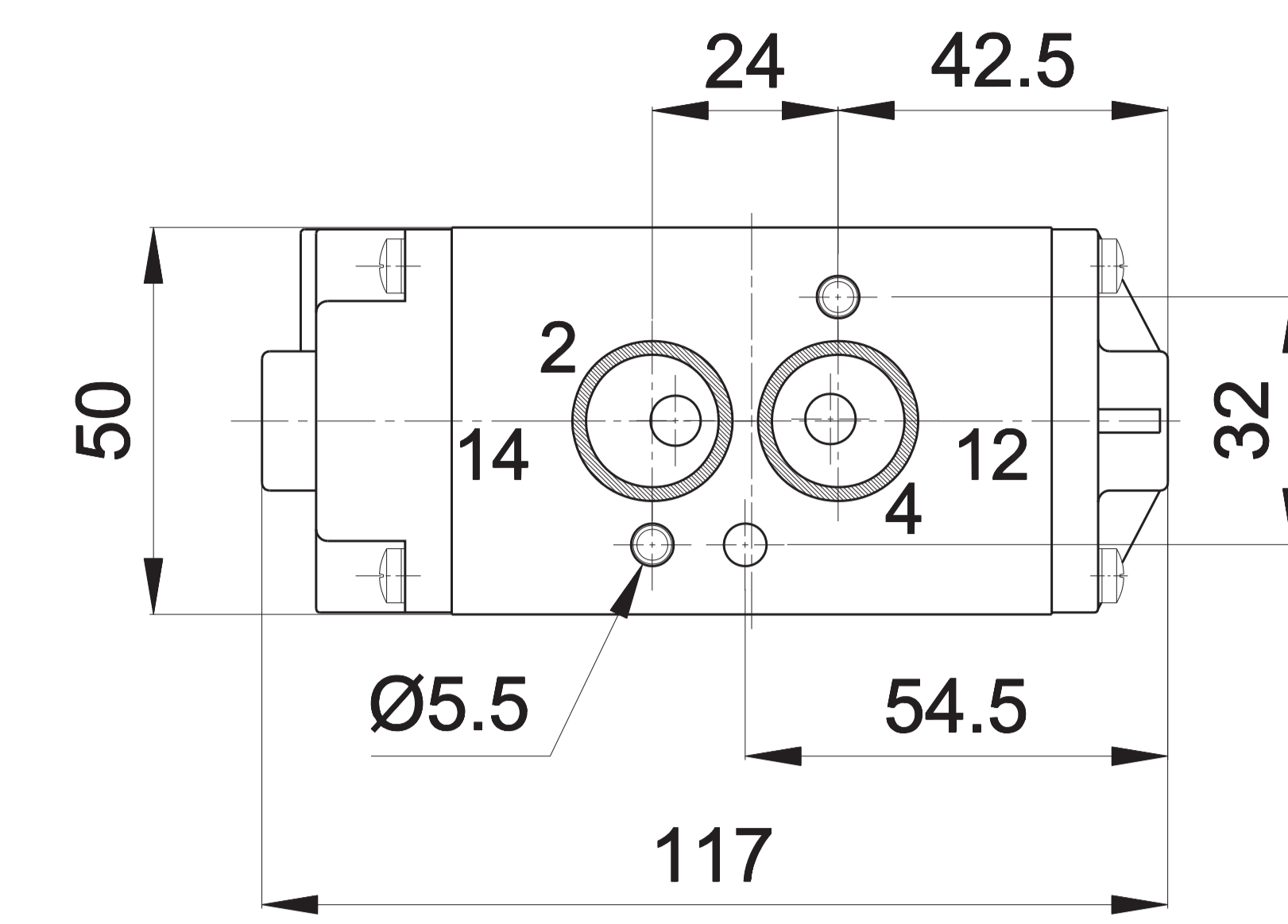
## Single pneumatic impulse



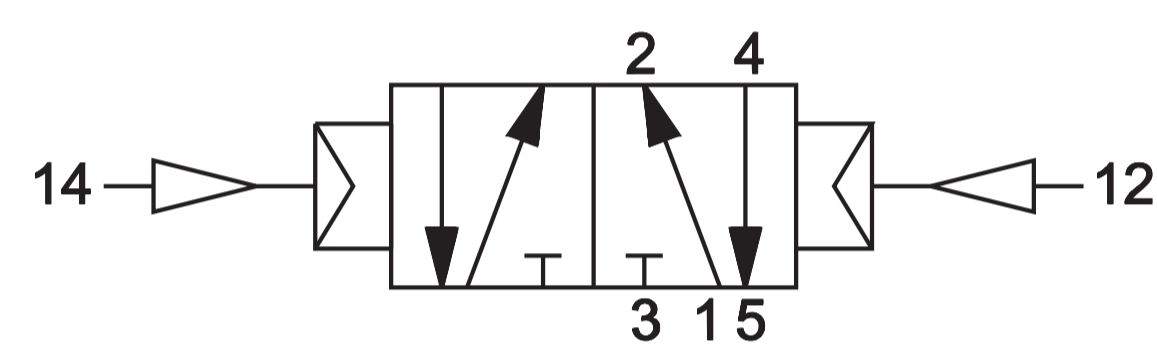
A ISO 4762

- 1 = Supply port  
2 - 4 = Use  
3 - 5 = Exhaust  
14 = Control  
12 = Return

5/2	Control	Return	Pressure	Times (ms)		Weight	Part no.
	pneumatic amplified	pneumo mechanical spring	bar	En.	De-en.	Kg	
			2,3÷10	10	10	0,564	<b>AC-N8100</b>



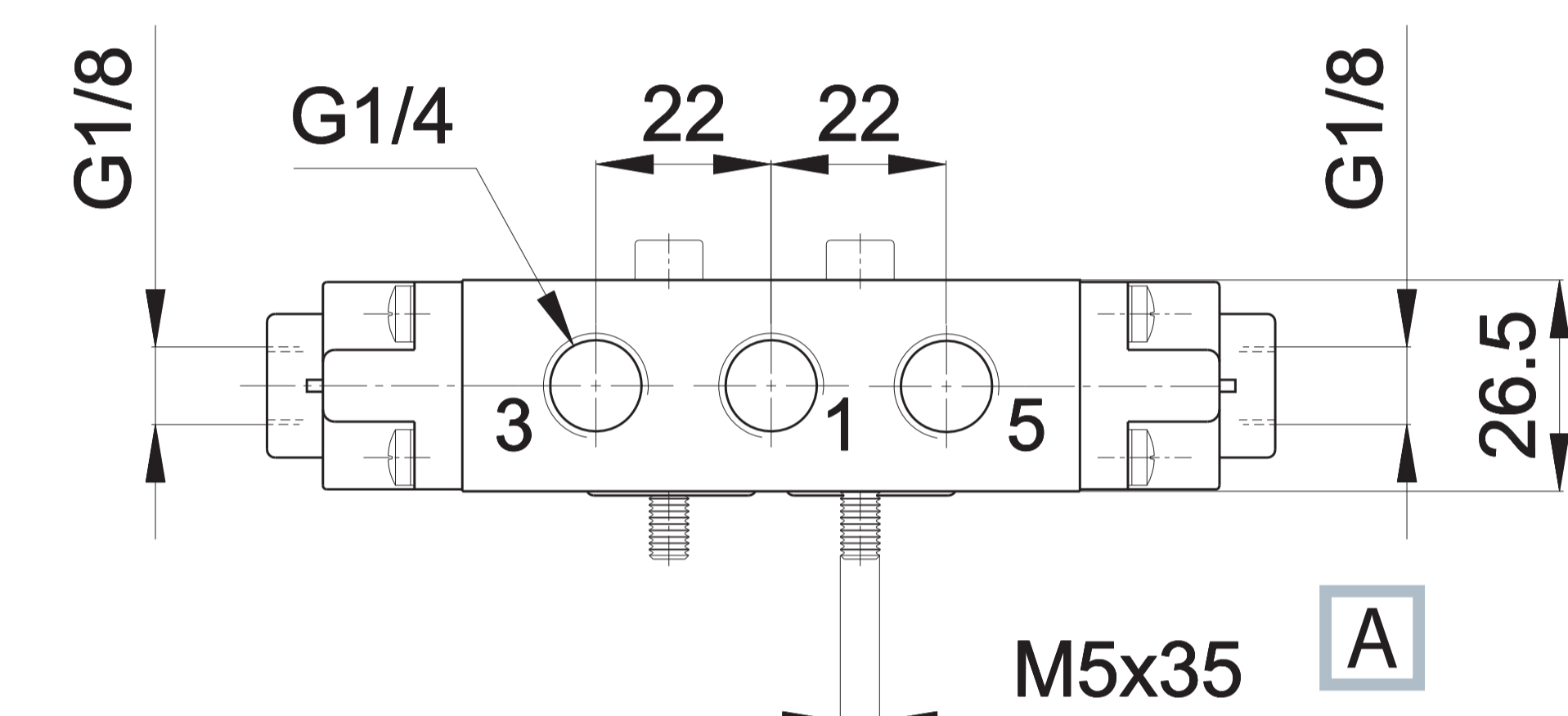
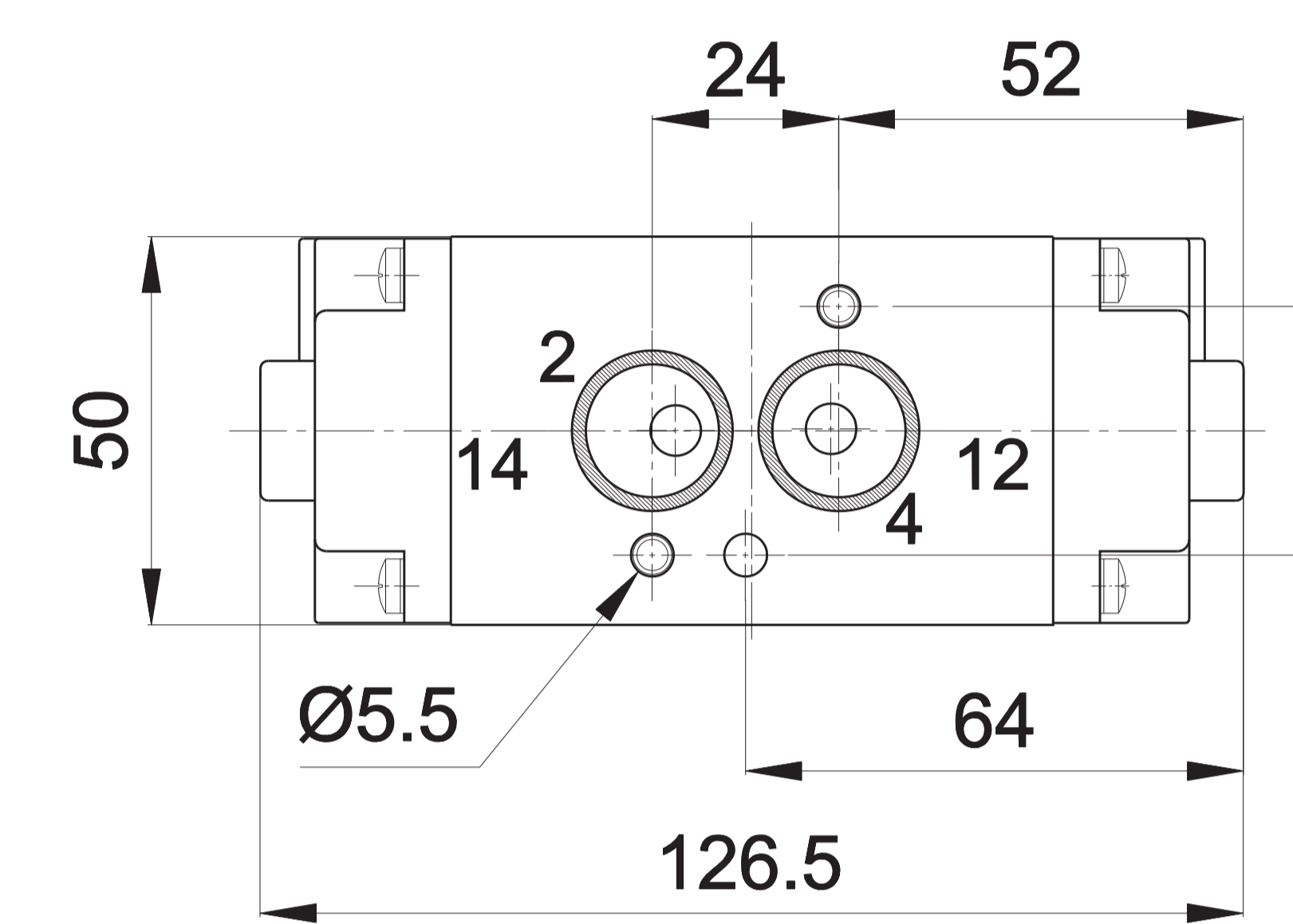
## Double pneumatic impulse



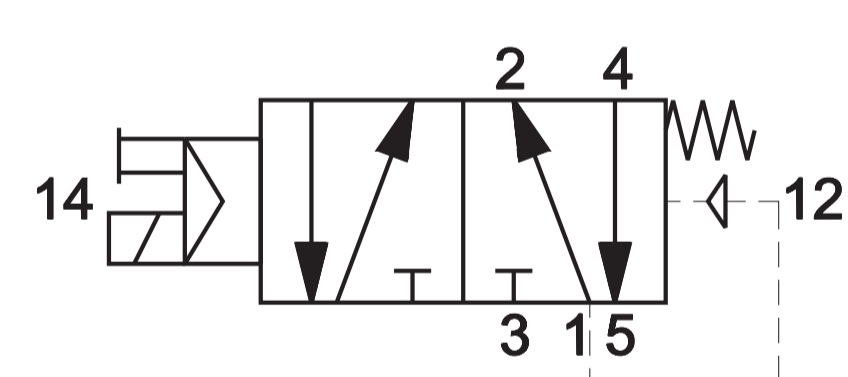
A ISO 4762

- 1 = Supply port  
2 - 4 = Use  
3 - 5 = Exhaust  
14 = Control  
12 = Return

5/2	Control	Return	Pressure	Times (ms)		Weight	Part no.
	pneumatic amplified	pneumatic amplified	bar	En.	De-en.	Kg	
			0,8÷10	6	6	0,564	<b>AC-N8120</b>



## Single electric impulse

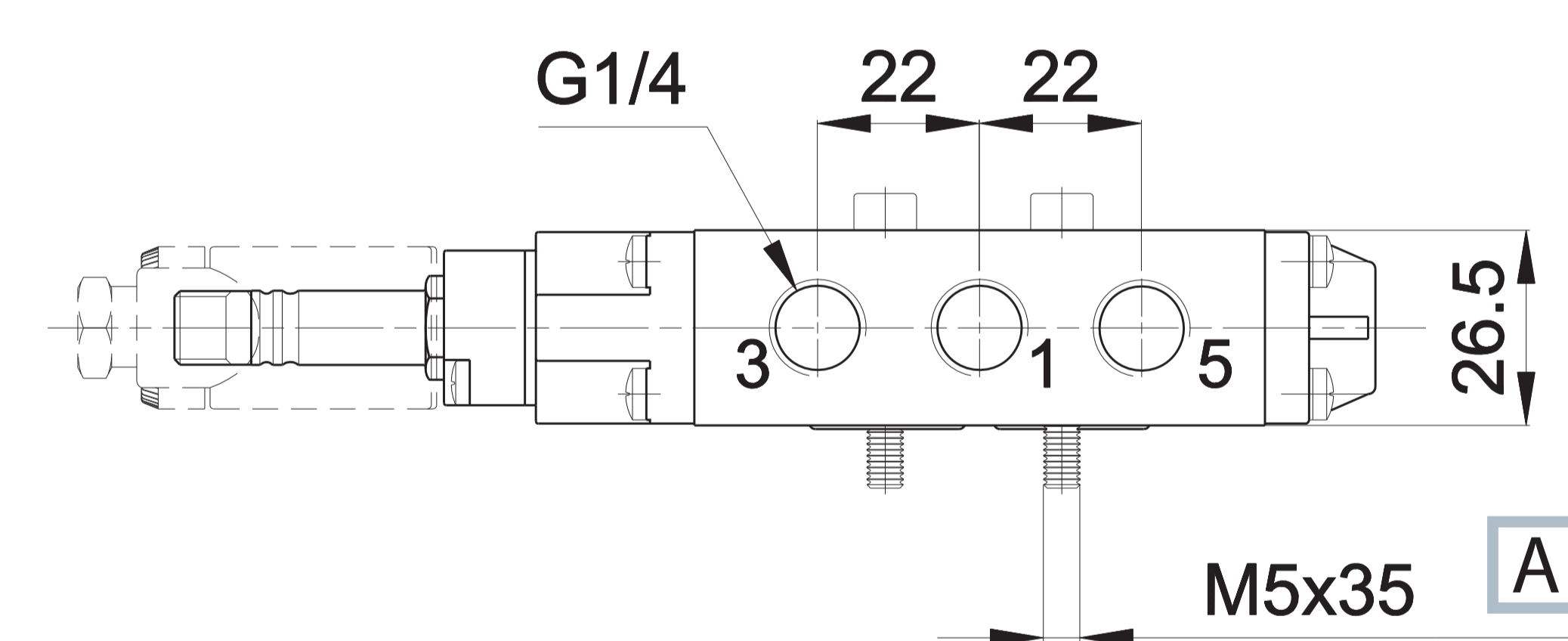
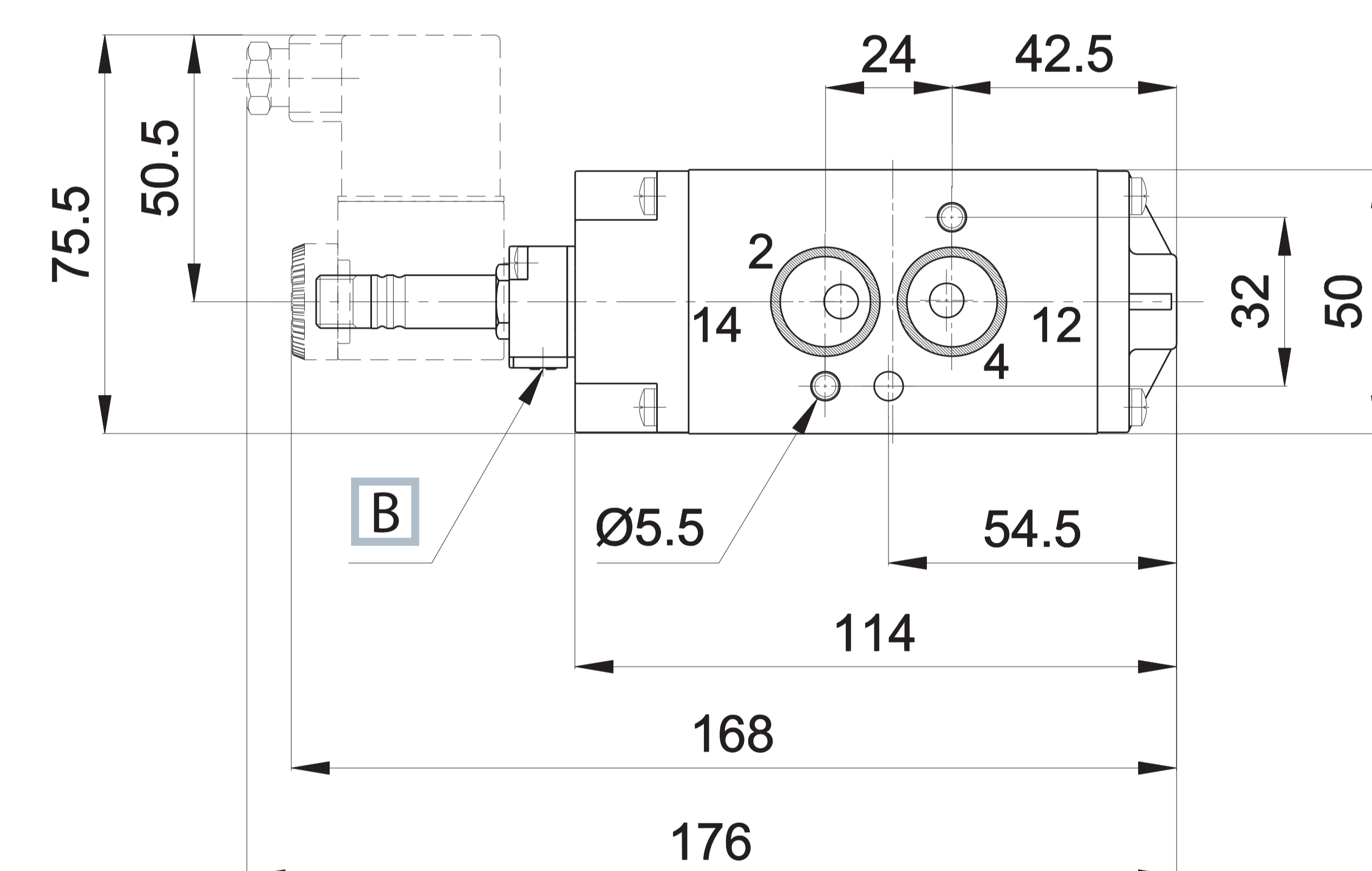


A ISO 4762

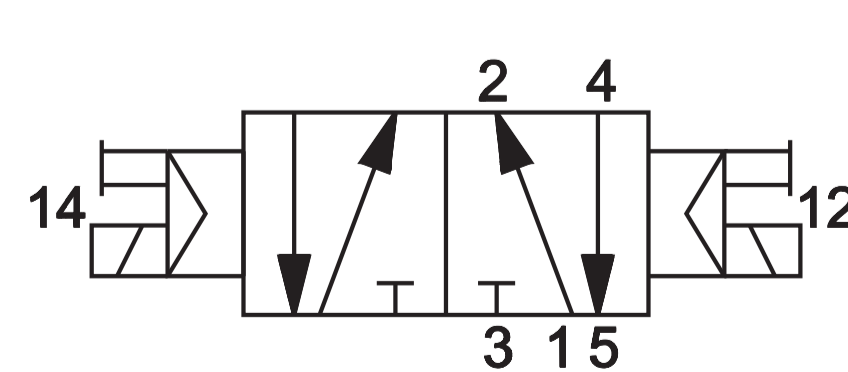
B Manual override

- 1 = Supply port  
2 - 4 = Use  
3 - 5 = Exhaust  
14 = Control  
12 = Return

5/2	Control	Return	Pressure	Times (ms)		Weight	Part no.
	electric amplified	pneumo mechanical spring	bar	En.	De-en.	Kg	
			2,3÷10	22	22	0,6	<b>AC-N8500</b>



## Double electric impulse

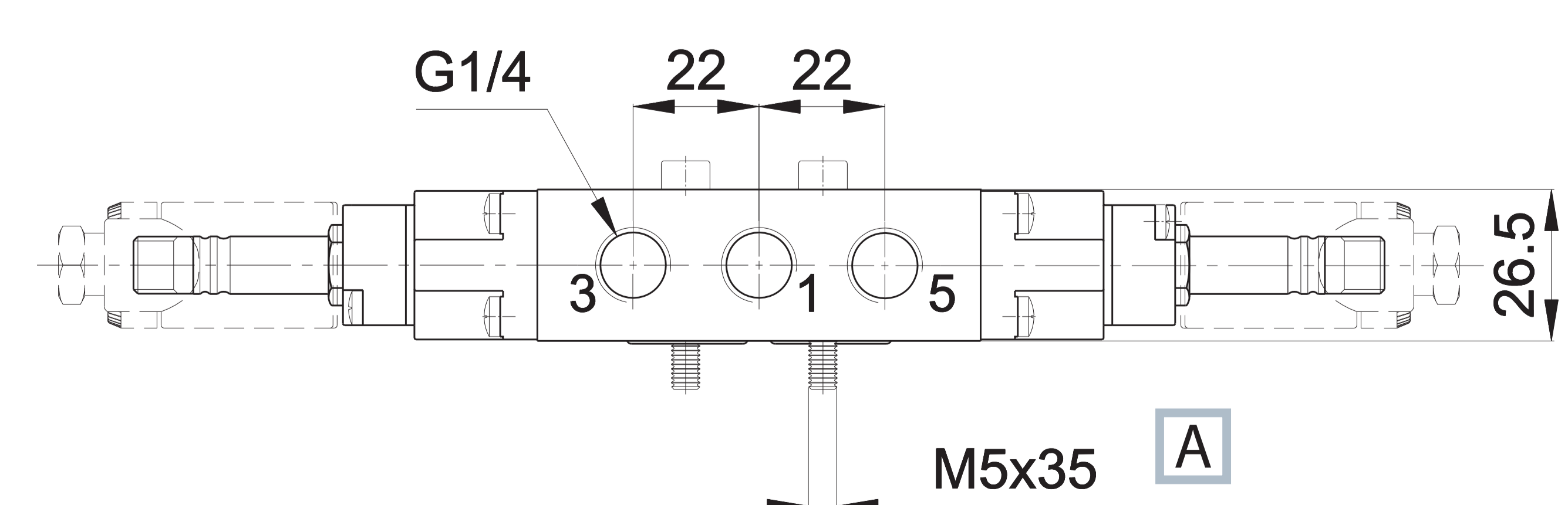
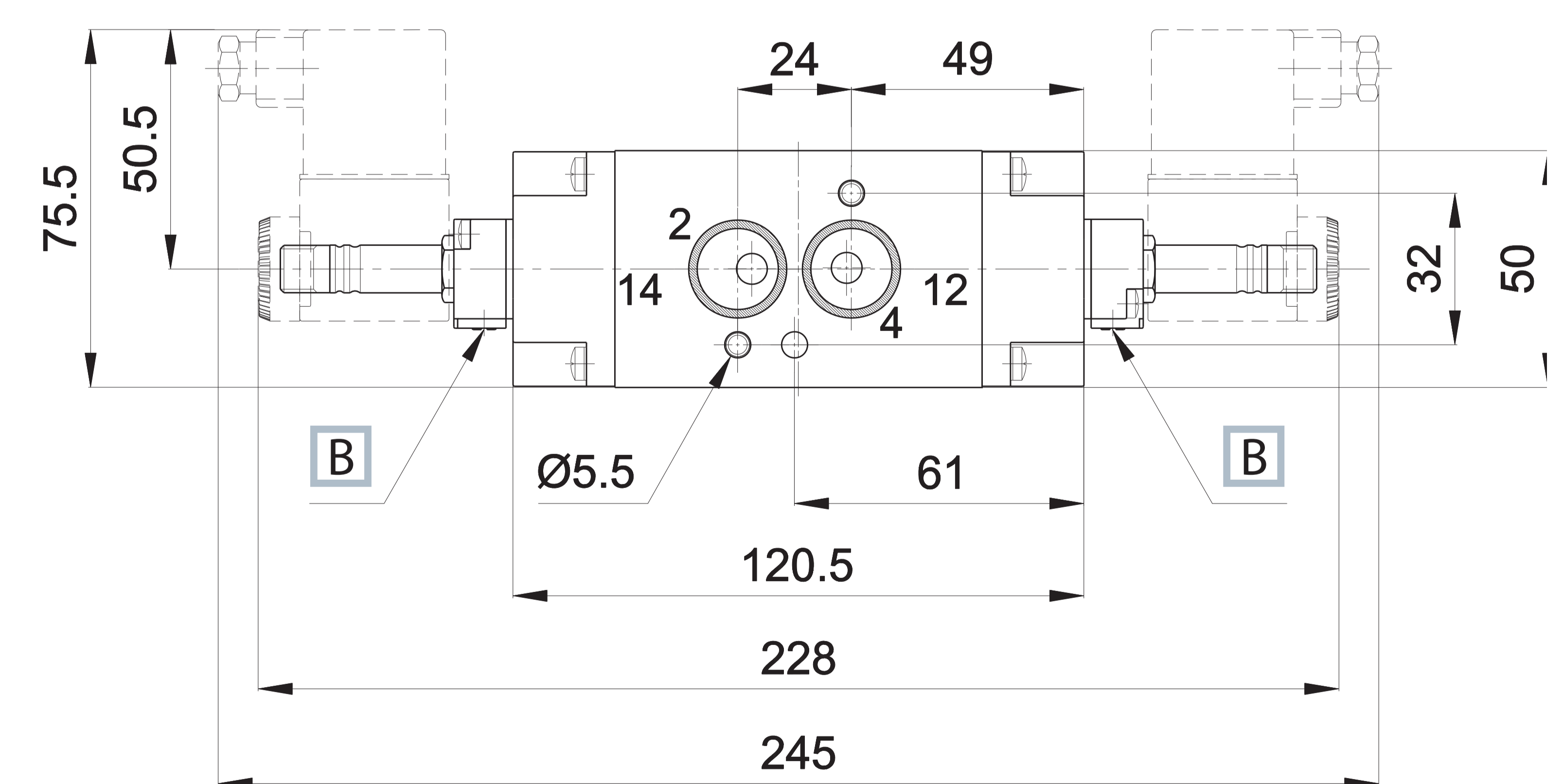


A ISO 4762

B Manual override

- 1 = Supply port  
2 - 4 = Use  
3 - 5 = Exhaust  
14 = Control  
12 = Return

5/2	Control	Return	Pressure	Times (ms)		Weight	Part no.
	electric amplified	electric amplified	bar	En.	De-en.	Kg	
			0,8÷10	14	14	0,636	<b>AC-N8520</b>



Upon request 3/2 version  
Electrovalves are supplied without coil, connector and locking ring