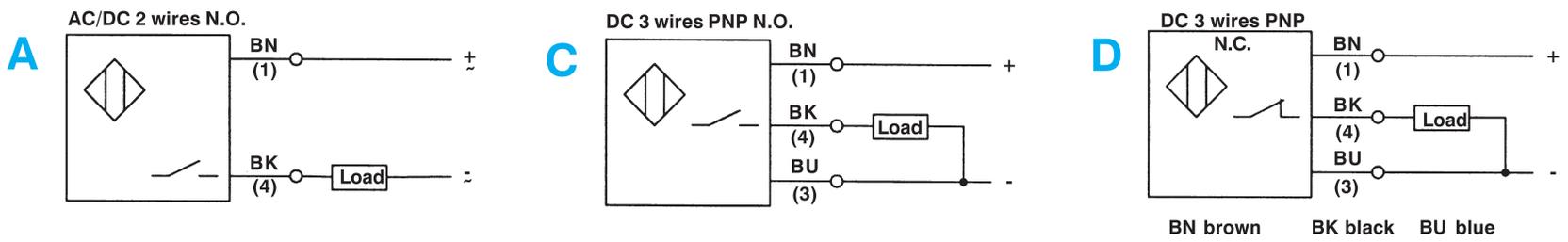
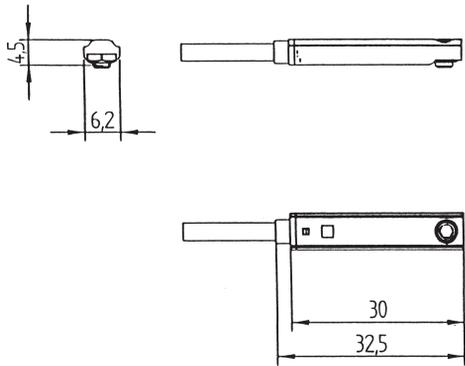


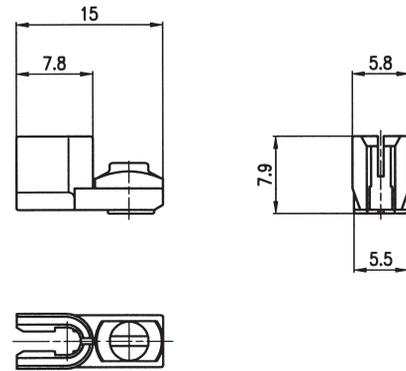
Electric circuits



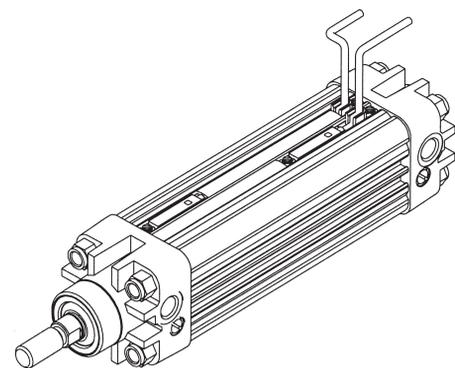
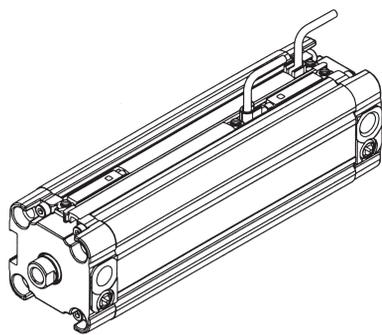
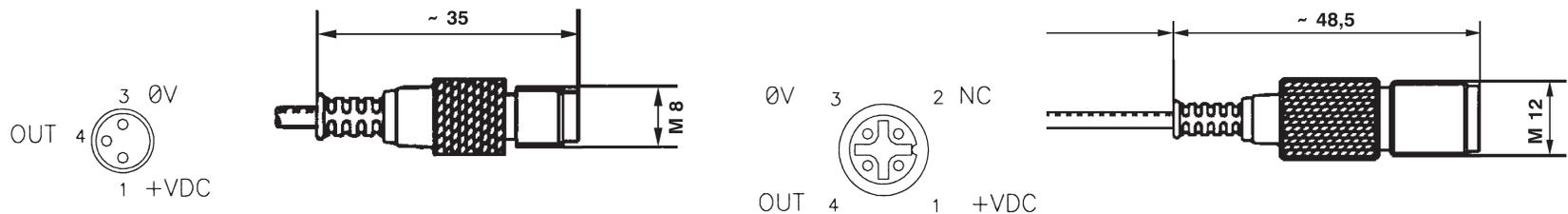
Overall dimensions DF-...



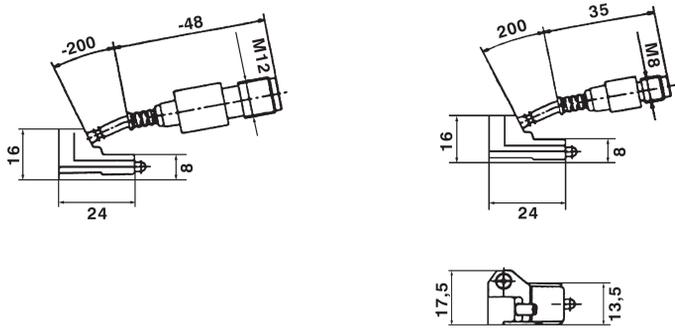
Cable clamping DF-001



Male connector M08, M12

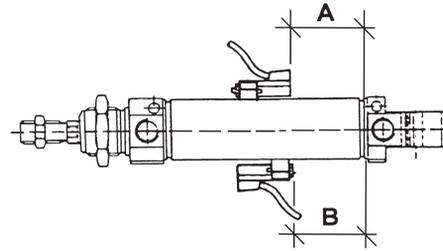


Overall dimensions DH...

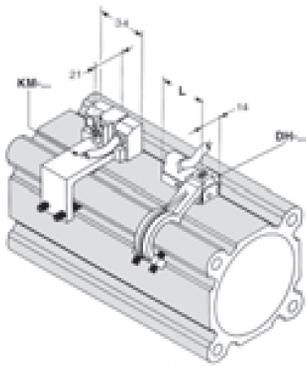


Correct mounting

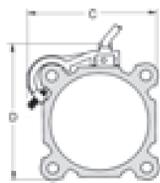
The magnetic sensor is mounted onto the cylinder by means of a special clamp or bracket or simply inserted in the groove of the cylinder barrel.



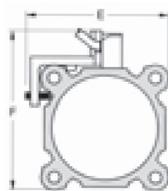
ISO cylinders K series



DH-....



KM-....



Cyl. Ø	A-B	C	D	Bracket part number	E	F	Sensor + bracket part number
32	4 - 4	50	57	DH-K032050	50	62	KM-032050
40	6 - 6	56	63		55	67	
50	6 - 6	64	74		65	77	
63	6 - 7	81	87	DH-K063125	80	82	KM-063100
80	9 - 10	96	104		97	109	
100	10 - 10	114	125		114	126	
125	18 - 18	138	150	DH-K160200	137	149	KM-125000
160	25 - 27	180	180				
200	24 - 26	200	220				

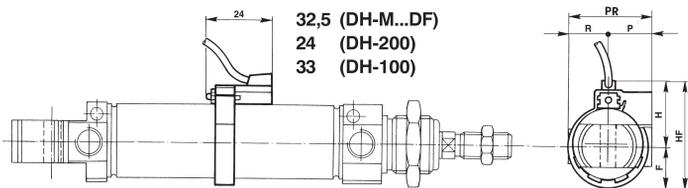
Microcylinders M series



DH-...



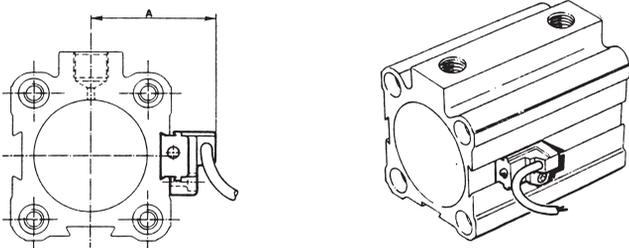
DH-M...DF



Cyl. Ø	A-B	F	H	HF	P	R	PR	M series part number
10	11 - 11	12,5	22,5	35	17	10	27	DH-M10
12	12,5 - 12,5	11,5	23,5	35	17	10	27	DH-M12
16	14 - 14	15	25	40	18	13	31	DH-M16
20	18,5 - 18,5	19	27	46	18	17	35	DH-M20
25	19 - 19	18	30	48	20	17	37	DH-M25

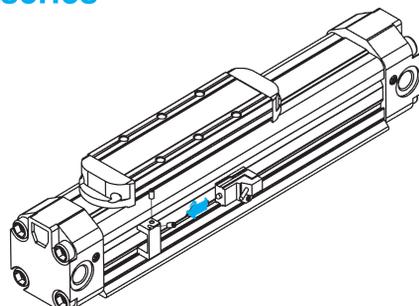
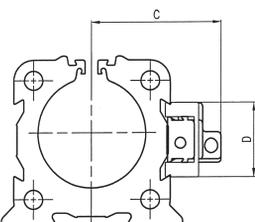
To order the holder for the recessed sensor DF... Series add suffix DF to the part number.

Short-stroke cylinders W series (no fixing necessary)



Cyl. Ø	16	20	25	32	40	50	63	80	100
A-B	8-8	9-9	11-10	11-10	7-7	6-6	5-5	8-7	11-11
A	26,8	28,8	31,3	35,3	39,5	44	52	60,5	71

Rodless cylinders S1 series



Cyl. Ø	A-B	C	D	Bracket part num.
25	25 - 35	34	21	DH-S25
32	35 - 35	39	22	DH-S32
40	50 - 50	46	29	DH-S40
50	60 - 60	54	35	DH-S50