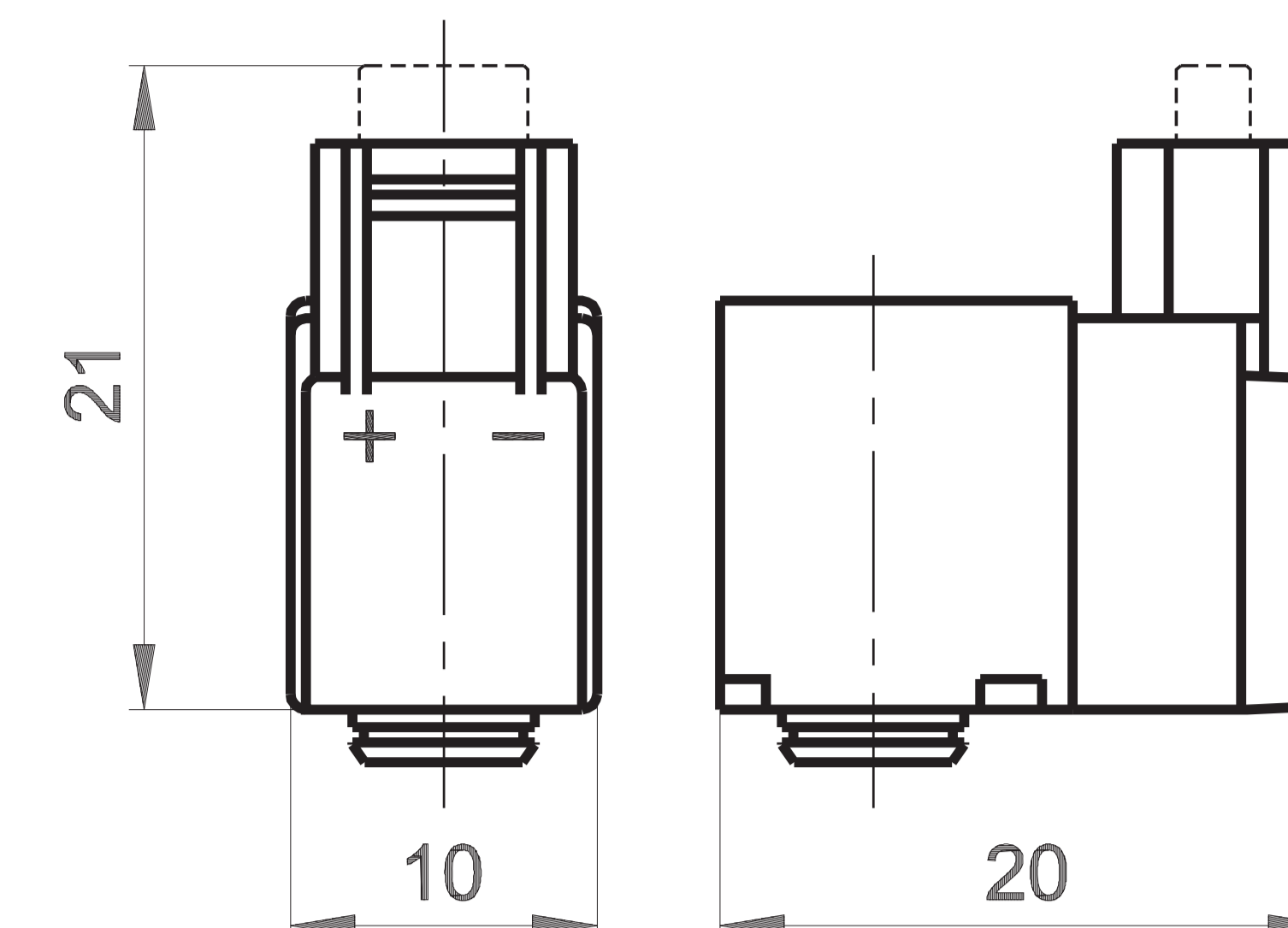


## COILS



COUPLING TABLE COILS/ELECTROPILOTS ELECTROPILOTS/SOLENOID VALVES			Electropilots				
			A	B	AA(U1)	AA(U3)	AB (U2)
Coils	U04	10 mm		■			
	U05	15 mm	■				
	U1	22 mm			■		
	U2	30 mm					■
	U3	30 mm				■	
Solenoid valves	BE	 ISO 1- ISO 2 ISO 3 - ISO 4			■	■	
	AE	 ISO 1 ISO 2			■	■	
	BD	 ISO 01 26 mm ISO 02 18 mm	■				
	AC-N	 NAMUR interface			■	■	
	CL CM	 G1/8 G1/4			■	■	
	G6 GL6	 G1/8 sub-base	■				
	G7	 G1/8	■				
	PS	 tube Ø 4 tube Ø 6 tube Ø 8		■			
	AC	 G1/8 - G1/4 G1/2			■	■	
			G1/8			■	■
	AF	 G1/4 - G3/8 G1/2 ÷ G1 1/2			■	■	
							■
	AG	 G1/8 G1/4 ÷ G1 1/2			■	■	
							■

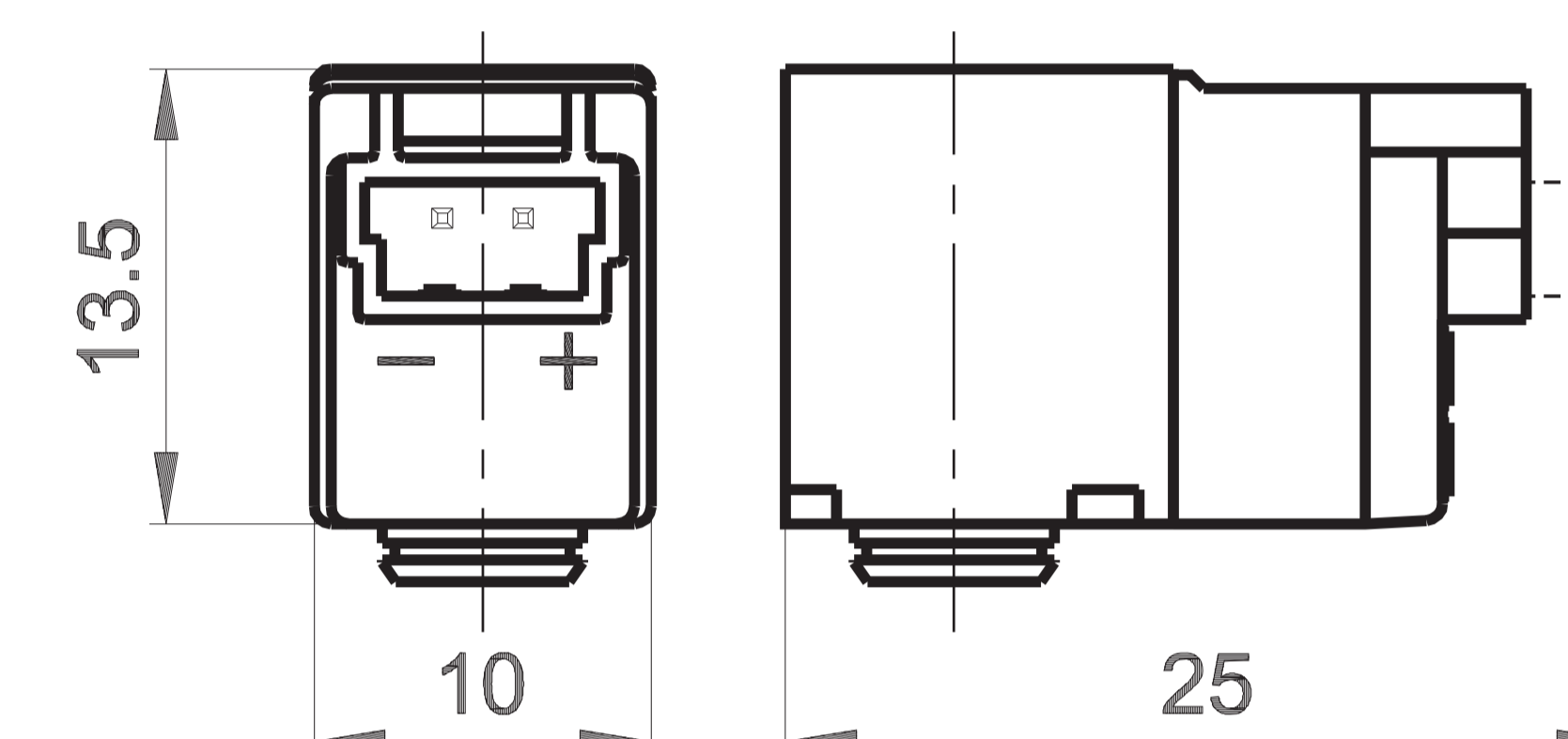
## U04 coil with integrated 90° upward connector



Life of ED (a) %	Input W		Tension tolerance %	Rated voltage	Weight Kg	Part no.	Connector
	continuo	start					
100	1,2	1,2	±10	24 V DC	0,013	<b>DE-352</b>	<b>D-500</b> <b>D-530-...</b> <b>D-535-...</b>
100	1,35	1,35	±10	24 V DC	0,013	<b>DE-452</b>	

Upon request 12 VDC

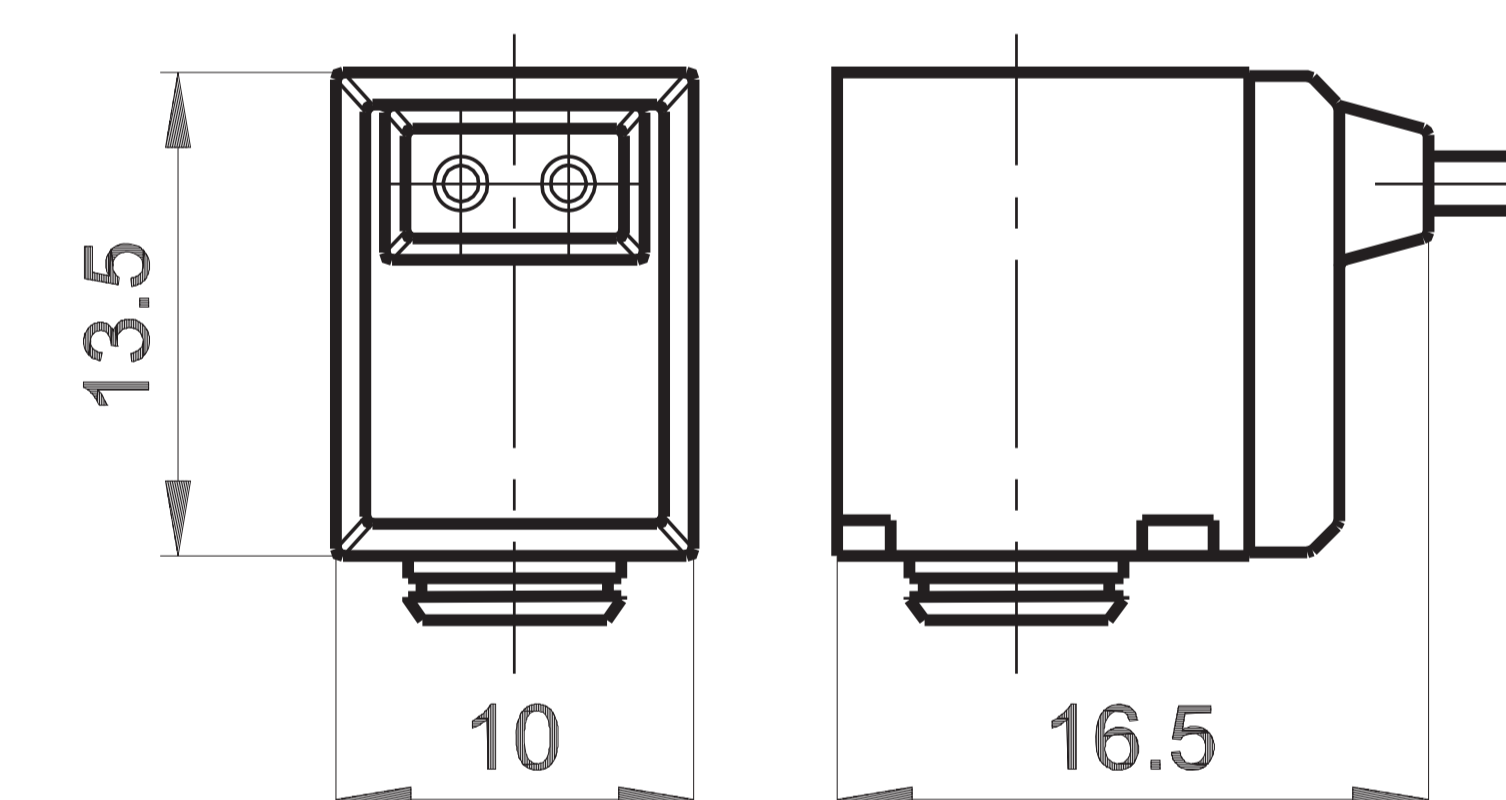
## U04 coil with in-line connector



Life of ED (a) %	Input W		Tension tolerance %	Rated voltage	Weight Kg	Part no.	Connector
	continuo	start					
100	1,2	1,2	±10	24 V DC	0,013	<b>DE-552</b>	<b>D-500</b> <b>D-530-...</b> <b>D-535-...</b>
100	1,35	1,35	±10	24 V DC	0,013	<b>DE-652</b>	

Upon request 12 VDC

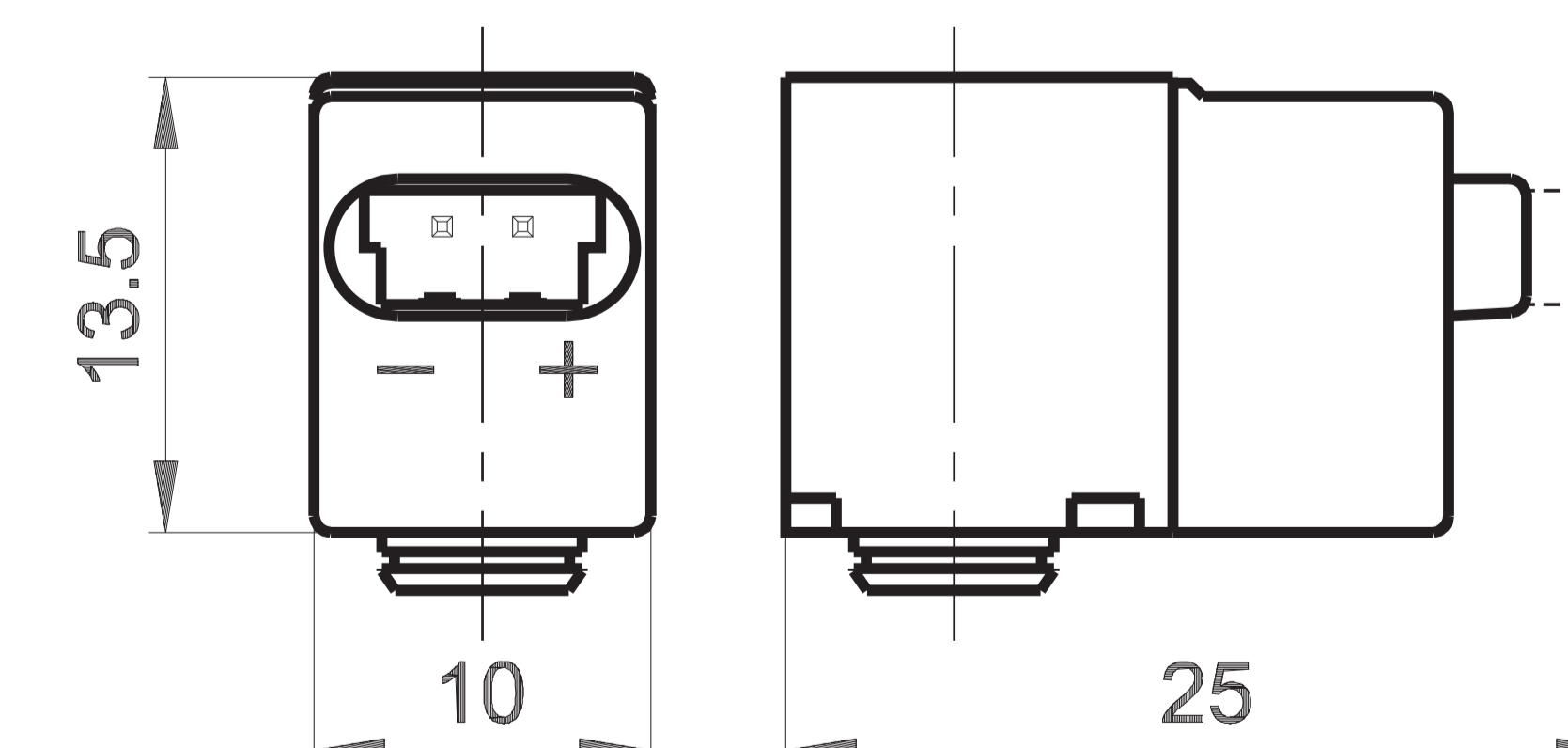
## U04 coil with loose cables (length 300 mm)



Life of ED (a) %	Input W		Tension tolerance %	Rated voltage	Weight Kg	Part no.(b)
	continuo	start				
100	1,2	1,2	±10	24 VDC	0,013	<b>DE-052L030</b>

Upon request 12 VDC

## U04 coil with in-line connector with protecting cover for complete tightness



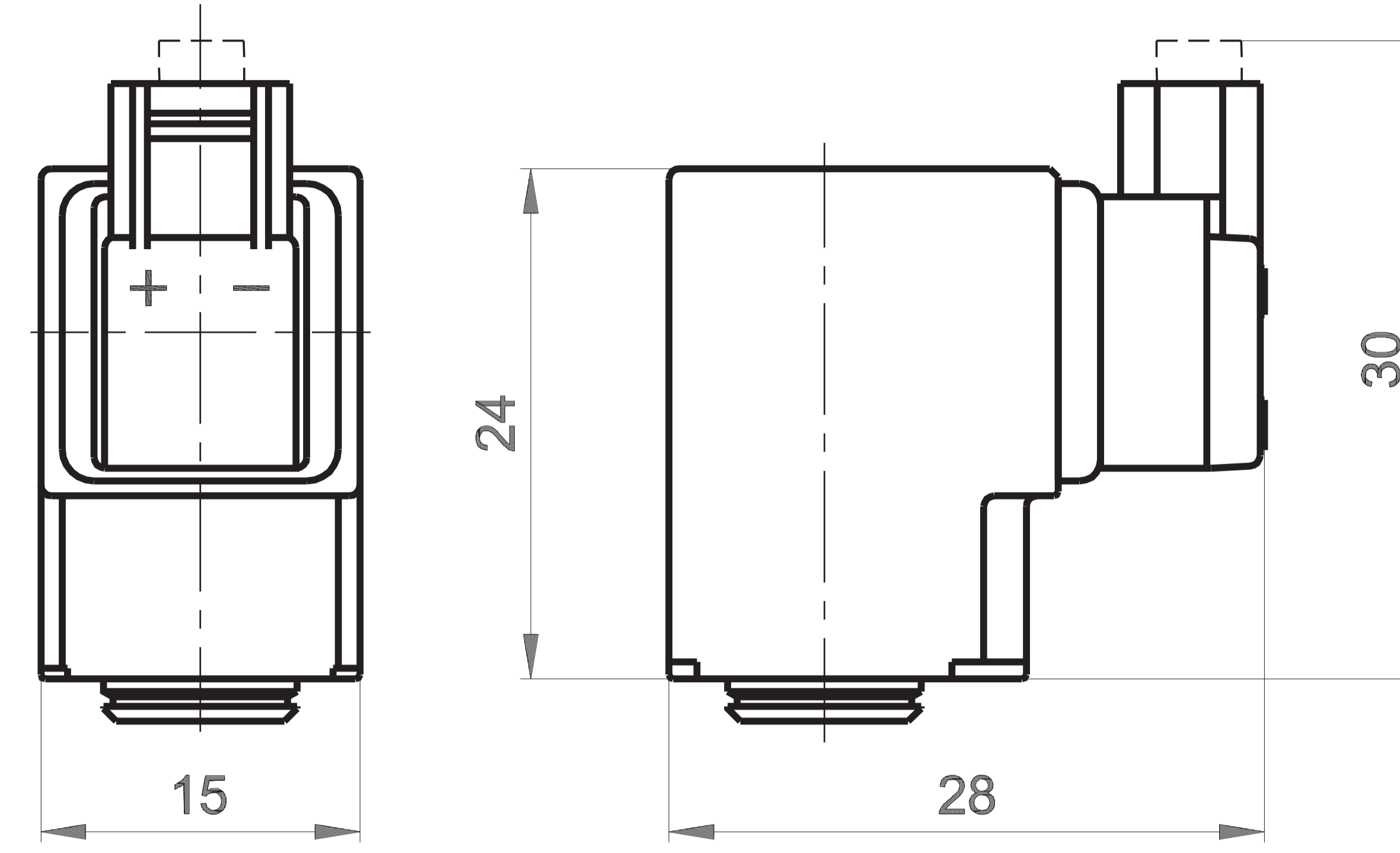
Life of ED (a) %	Input W		Tension tolerance %	Rated voltage	Weight Kg	Part no.	Connector
	continuo	start					
100	1,35	1,35	±10	12 V DC	0,013	<b>DE-642I</b>	<b>D-500</b> <b>D-530-...</b> <b>D-535-...</b>
100	1,35	1,35	±10	24 V DC	0,013	<b>DE-652I</b>	

(a) = 110V - 230V solenoid valves must be built-in (EN-60204-1)

under continuous service a maximum temperature will not compromise the functioning of the coil provided that the working position is ventilated

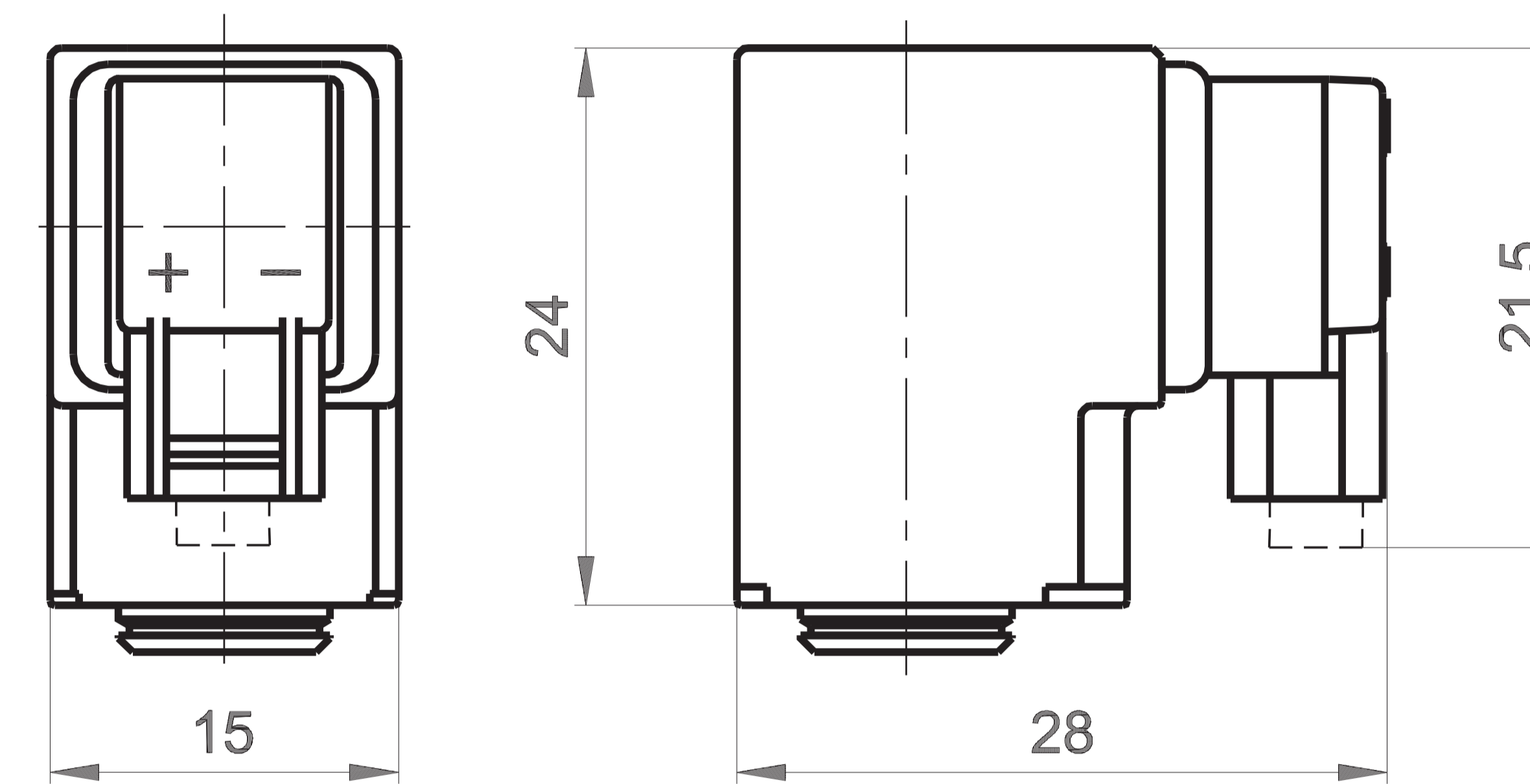
(b) = different wire lengths are available upon request

U05 coil with integrated 90° upward connector



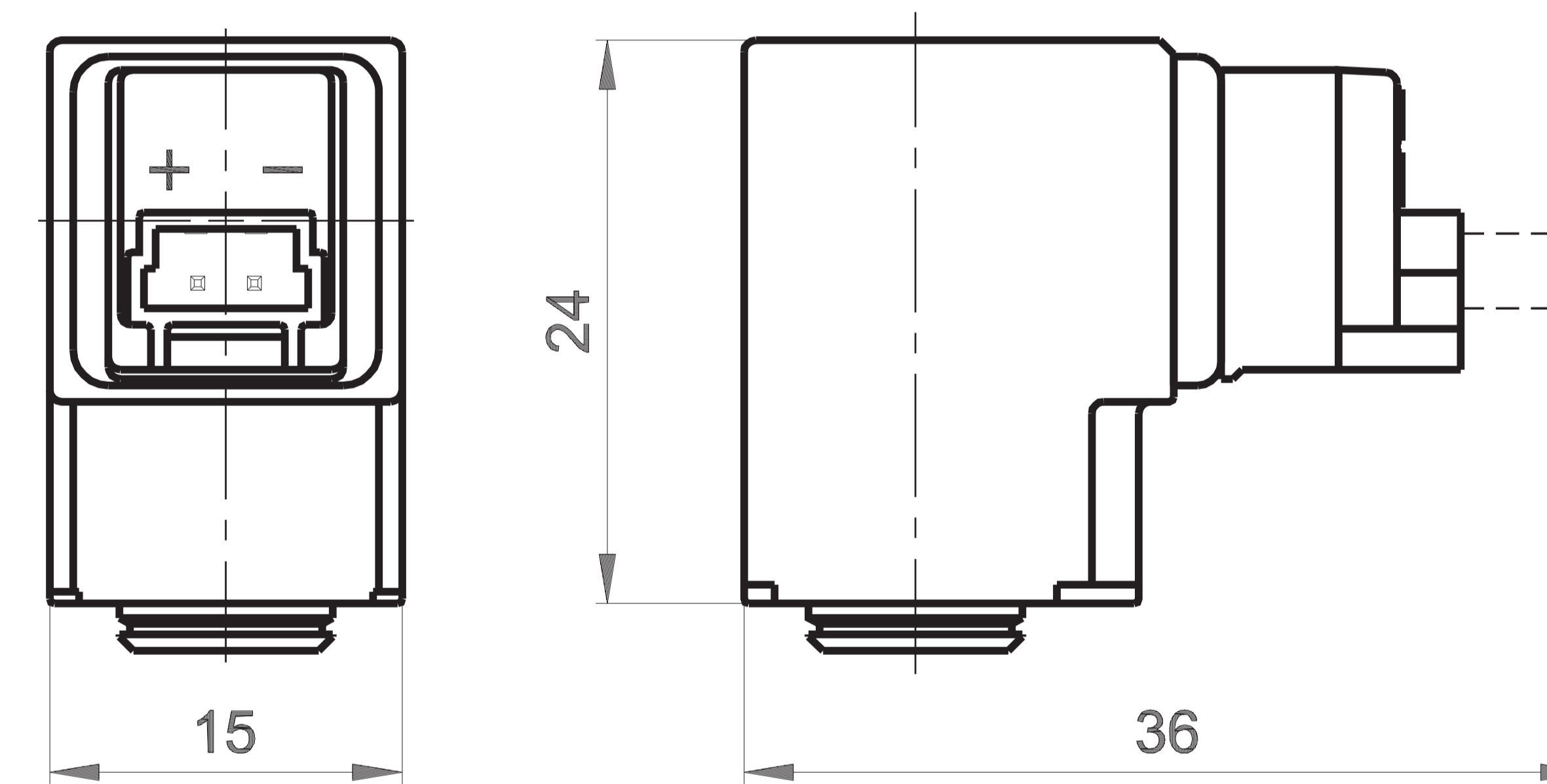
Life of ED (a)	Input W		Tension tolerance	Rated voltage	Weight	Part no.	Connector
	%	continuo					
100	2	2	±10	24 V DC	0,019	<b>DD-351</b>	D-500 D-530-... D-535-...

U05 coil with integrated 90° upward connector



Life of ED (a)	Input W		Tension tolerance	Rated voltage	Weight	Part no.	Connector
	%	continuo					
100	2	2	±10	24 V DC	0,019	<b>DD-151</b>	D-500 D-530-... D-535-...

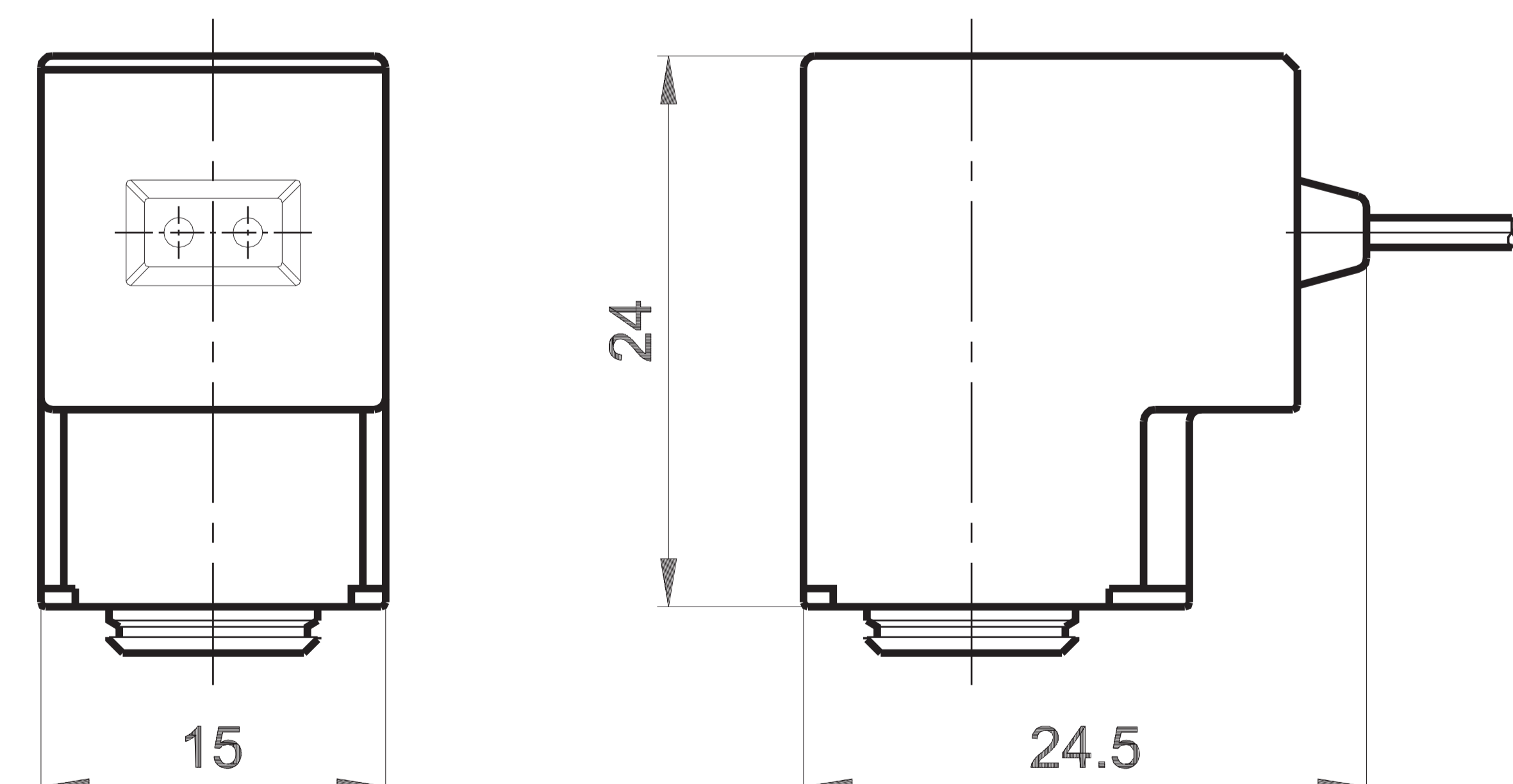
U05 coil with in-line connector



Life of ED (a)	Input W		Tension tolerance	Rated voltage	Weight	Part no.	Connector
	%	continuo					
100	2	2	±10	24 V DC	0,019	<b>DD-551</b>	D-500 D-530-... D-535-...

Upon request: version with LED and V DC version

U05 coil with loose cables



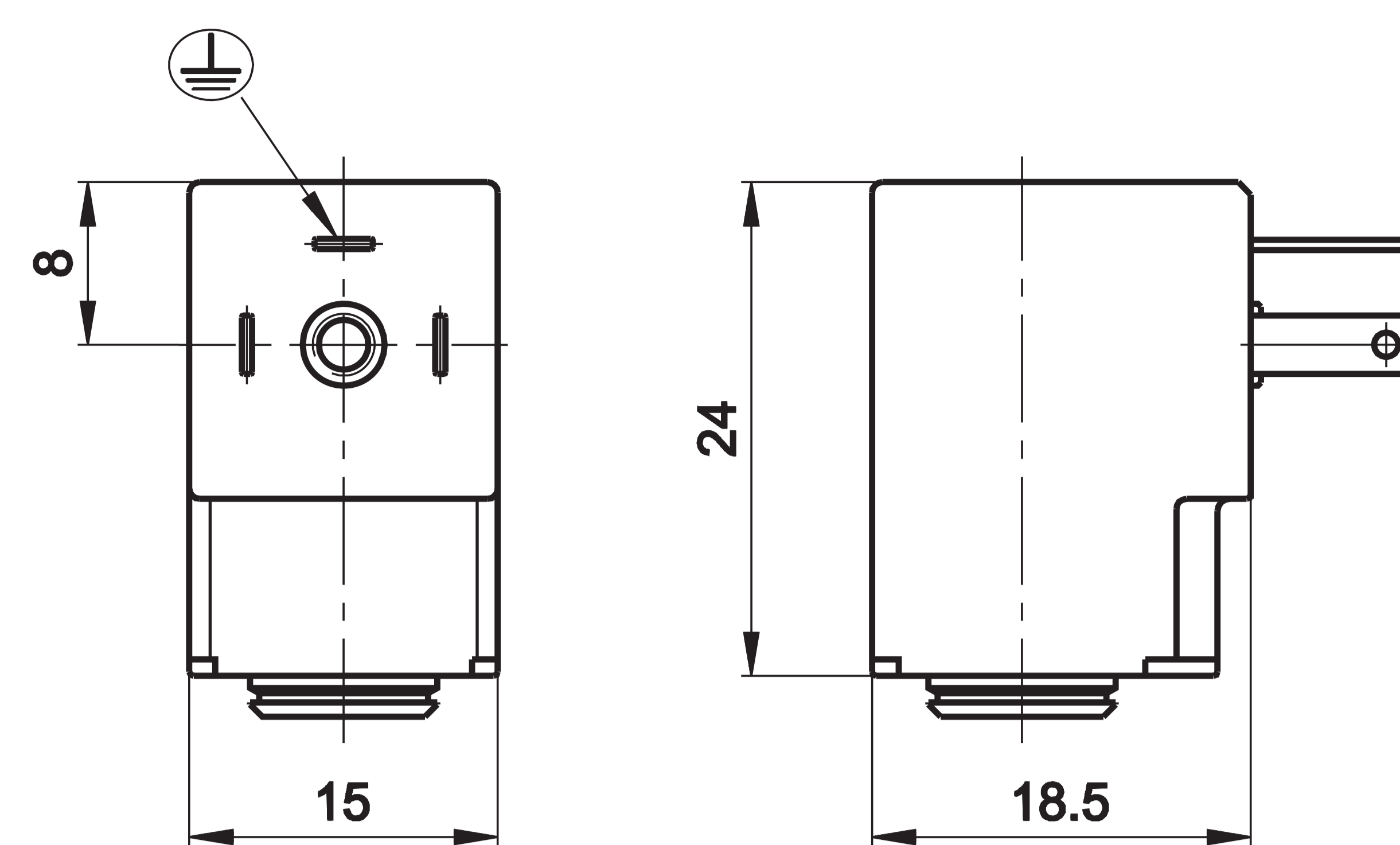
Life of ED (a)	Input W		Tension tolerance	Rated voltage	Weight	Part no. (b)
	%	continuo				
100	1,5	1,5	±10	12 V DC	0,019	<b>DD-051L030</b>
100	2	2	±10	24 V DC	0,019	<b>DD-052L030</b>

(a) = 110V - 230V solenoid valves must be built-in (EN-60204-1)

under continuous service a maximum temperature will not compromise the functioning of the coil provided that the working position is ventilated




(b) = different wire lengths are available upon request

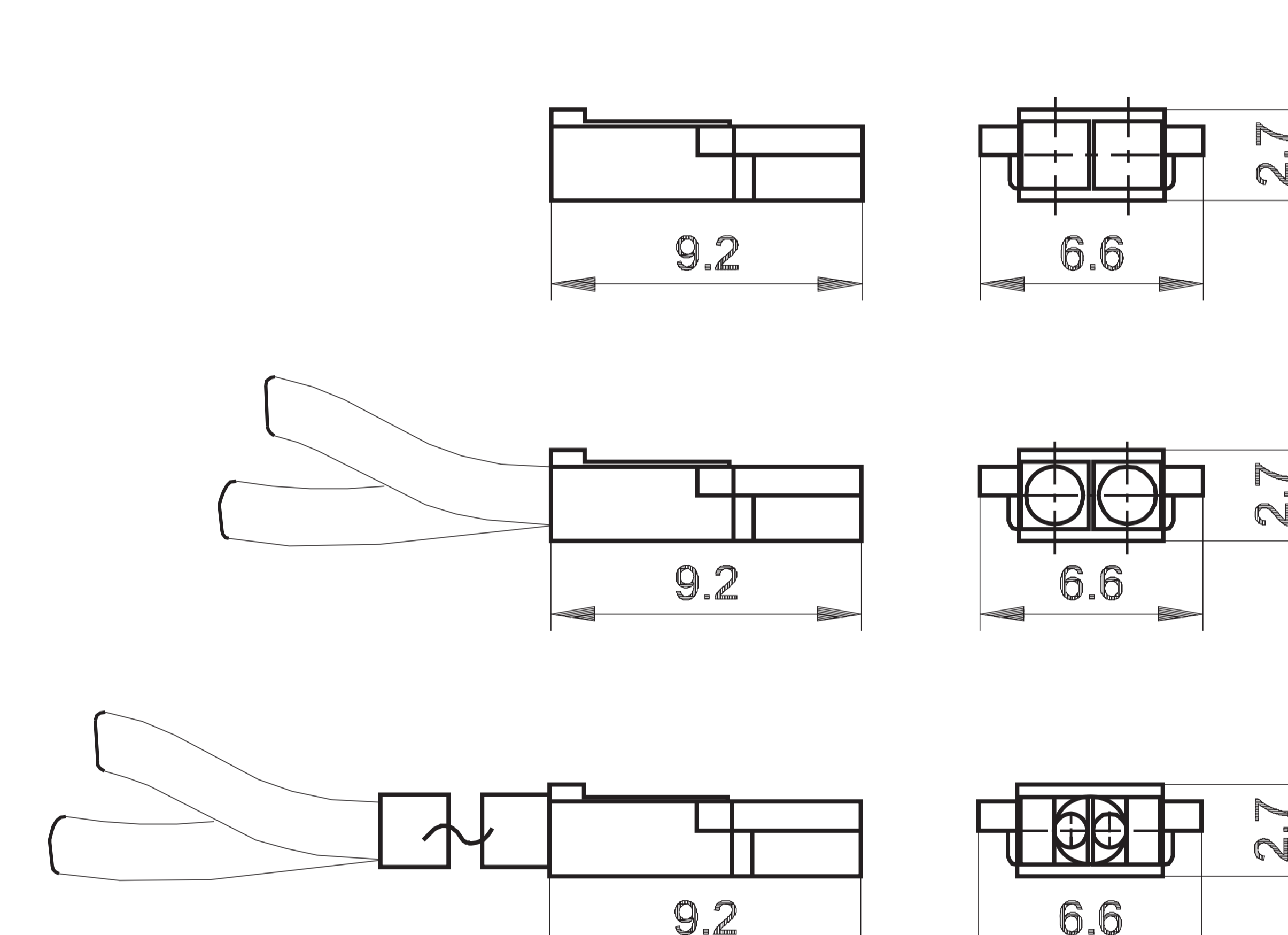
U05 lato 15 mm coil - Faston



Life of ED (a)	Input W				Tolerance		Rated voltage		Frequency	Weight	Part no.	Connector
	%	DC W		AC VA		tension %		DCV	ACV	HZ		
		Contin.	Start	Conti.	Start	DC	AC					
100	-	-	3,5	-	-	±10	-	24	50/60	0,019	DD-011	AM-5109
100	-	-	3,5	-	-	±10	-	230	50/60	0,019	DD-013	
100	-	-	2,3	3,2	±10	±10	-	24	50/60	0,019	DD-040	
100	1,5	1,5	-	-	±10	-	12	-	-	0,019	DD-041	
100	2,5	2,5	-	-	±10	±10	12	-	-	0,019	DD-042	
100	-	-	2,3	3,2	±10	-	-	48	50/60	0,019	DD-050	
100	2	2	-	-	±10	±10	24	-	-	0,019	DD-051	
100	2,5	2,5	-	-	±10	-	24	-	-	0,019	DD-052	
100	-	-	-	-	±10	±10	-	110	50/60	0,019	DD-060	
100	-	-	2,3	3,2	±10	-	-	230	50/60	0,019	DD-070	

Connectors for U04 e U05 coils

	Length mm	Coil	Part no.
<b>MINIATURE CONNECTOR WITHOUT WIRES</b>			
	-	U04/U05	D-500
<b>MINIATURE CONNECTOR WITH LOOSE CABLES</b>			
	300	U04/U05	D-530-30
	500	U04/U05	D-530-50
	2000	U04/U05	D-530-200
<b>MINIATURE CONNECTOR WITH CABLE</b>			
	300	U04/U05	D-535-30
	500	U04/U05	D-535-50
	2000	U04/U05	D-535-200

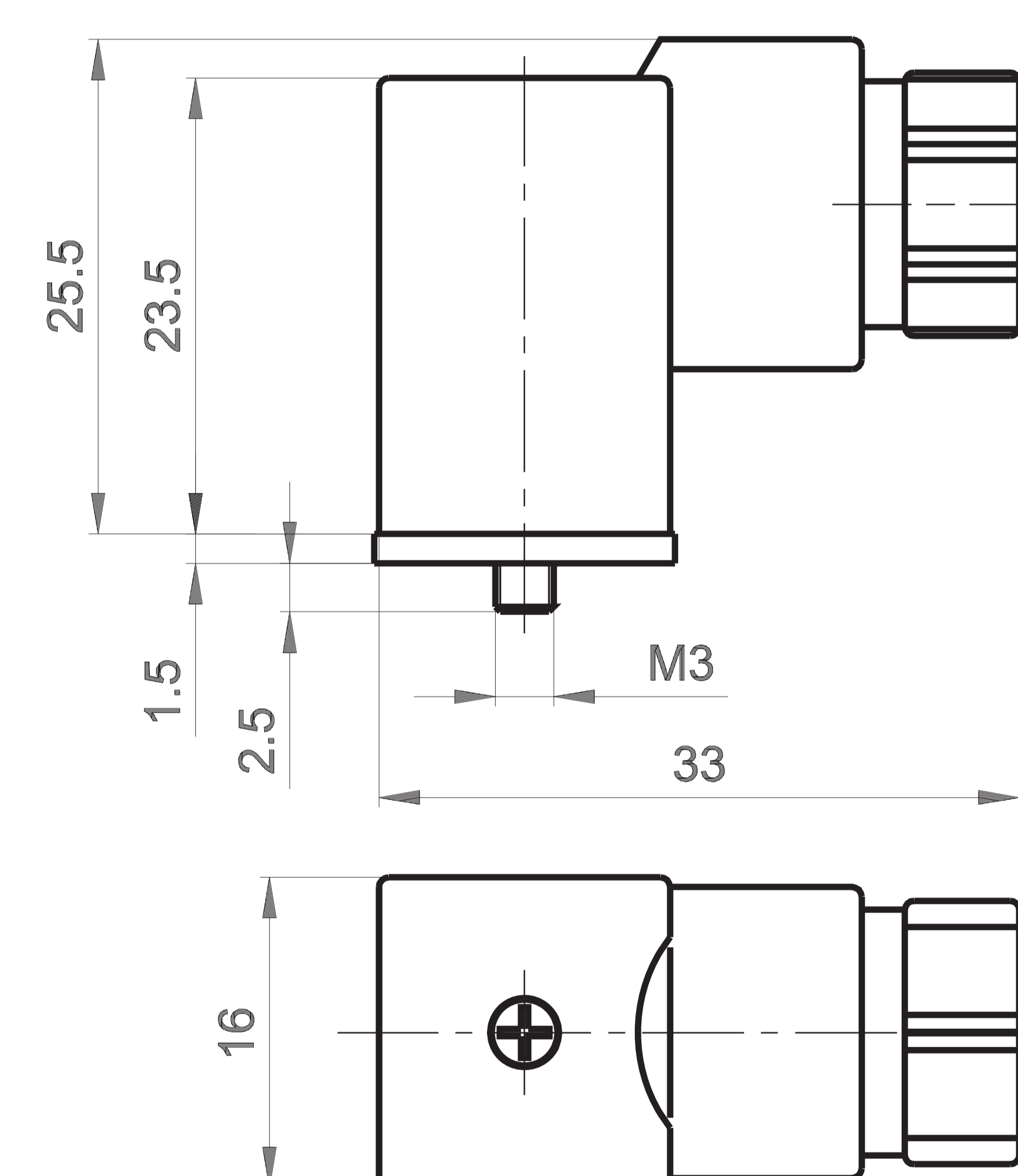


**CAUTION!** Do not invert the polarity when connecting to be coil with LED.

15 mm connector



	Coil	Part no.
-	U05	AM-5109



Upon request version with LED:

(a) = 110V - 230V solenoid valves must be built-in (EN-60204-1)

under continuons service a maximum temperature will not compromise the functioning of the coil provided that the working position is ventilated



Possibility of replacement without intervention in the pneumatic circuit

Other voltages available upon request

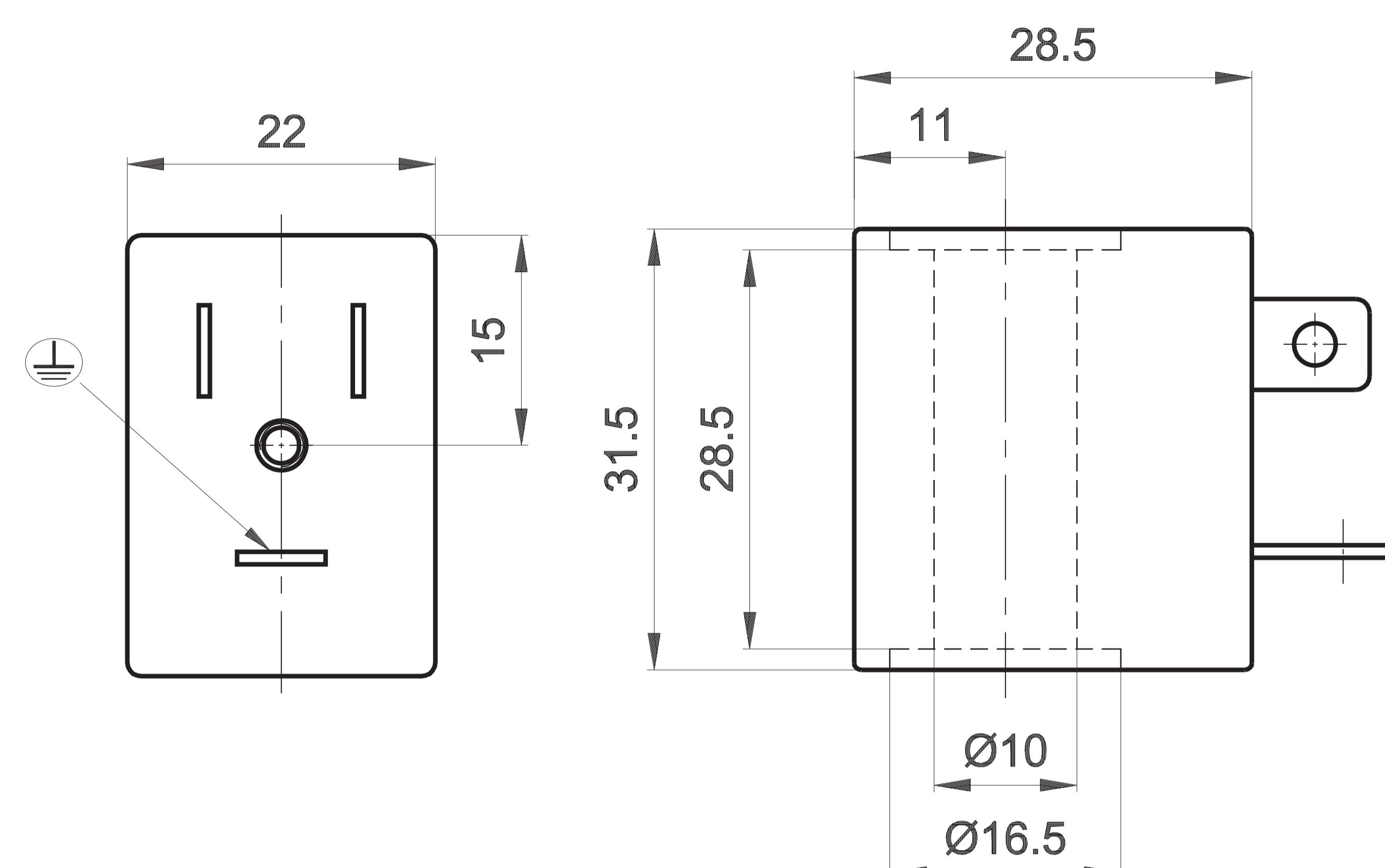
360° rotation on the pilot. Coil winding: H class

Ambient temperature: -10 ÷ +45 °C. Fluid temperature: -10 ÷ +95 °C.

The solenoid valves functioning with 100V-230V must be incorporated (EN60204-1)

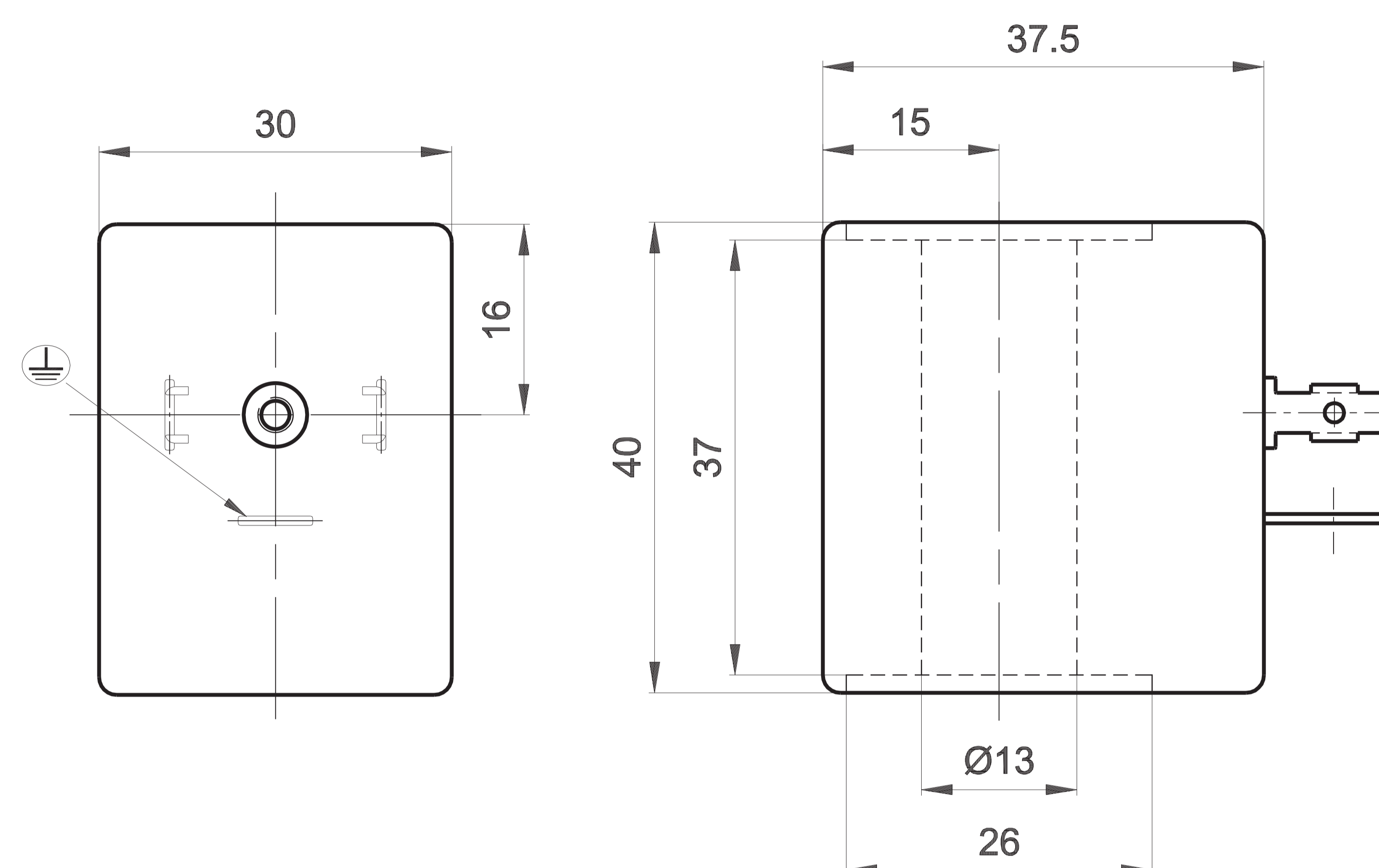
Under continuous service a maximum temperature will not compromise the functioning of the coil provided that the working position is ventilated.

### U1 22 mm coil to be used with U1 electropilot



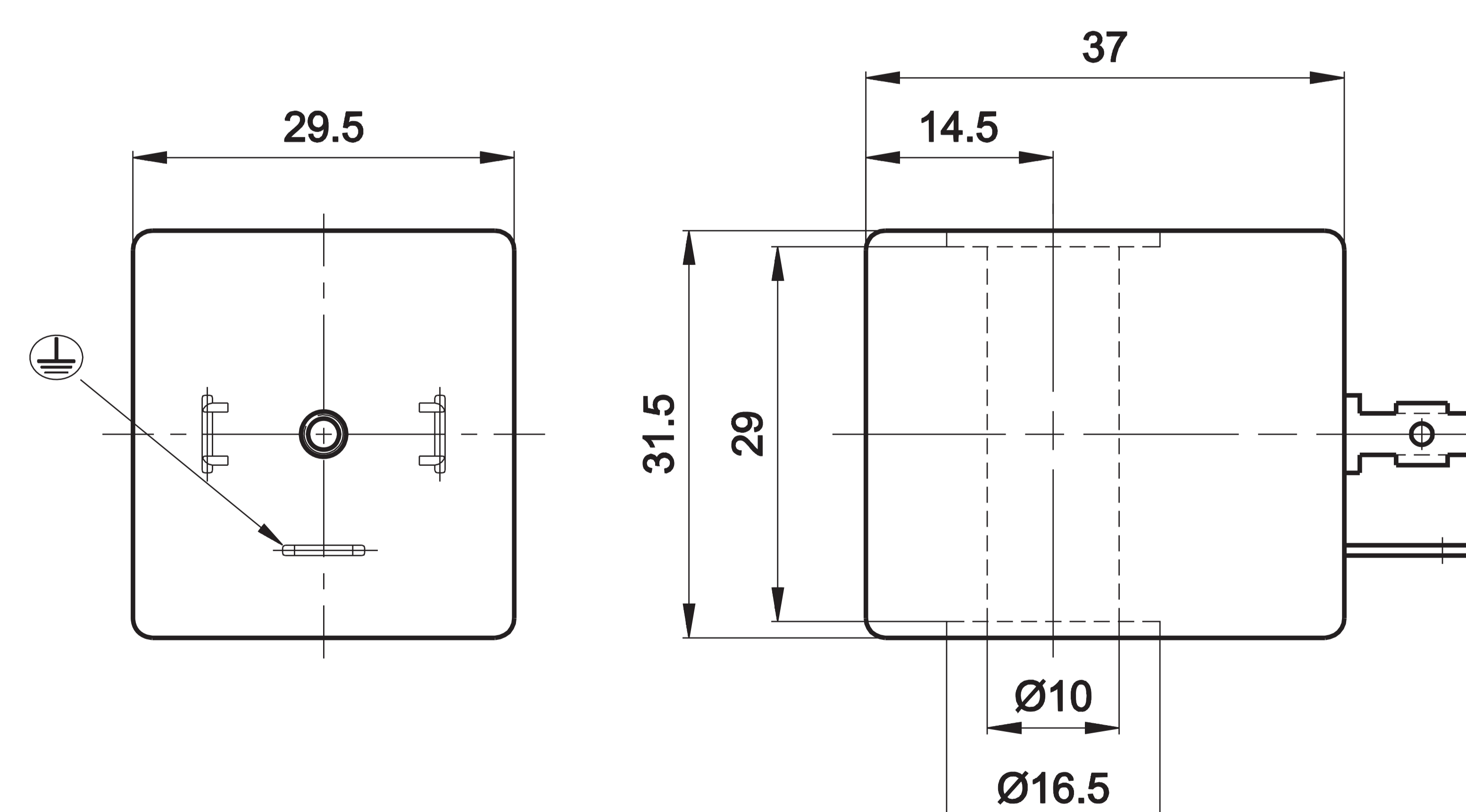
Life of ED (a)	Input W		Tolerance tension	Rated voltage	Weight	Part no.	
	%	continuo					start
100		3,5	3,5	±10	12 V DC	0,06	DA-0050
100		3,5	3,5	±10	24 V DC	0,06	DA-0051
100		5,4 VA (max)	7,8 VA (max)	±10	24 V AC/50-60 HZ	0,06	DA-0106
100		5,4 VA (max)	7,8 VA (max)	±10	110 V AC/50-60 HZ	0,06	DA-0108
100		5,4 VA (max)	7,8 VA (max)	±10	230 V AC/50-60 HZ	0,06	DA-0124

### U2 30 mm coil to be used with U2 electropilot



Life of ED (a)	Input W		Tension tolerance	Rated voltage	Weight	Part no.	
	%	continuous					start
100		11	11	±10	12 V DC	0,10	DB-0501
100		11	11	±10	24 V DC	0,10	DB-0502
100		10 VA (max)	16 VA (max)	±10	24 V AC/50-60 HZ	0,10	DB-0507
100		10 VA (max)	16 VA (max)	±10	110 V AC/50-60 HZ	0,10	DB-0509
100		10 VA (max)	16 VA (max)	±10	230 V AC/50-60 HZ	0,10	DB-0510

### U3 30 mm coil to be used with U1 electropilot



Life of ED (a)	Input W		Tension tolerance	Rated voltage	Weight	Part no.	
	%	continuous					start
100		2,5	2,5	±10	12 V DC	0,08	DC-0301
100		2,5	2,5	±10	24 V DC	0,08	DC-0302
100		3,3 VA (max)	5 VA (max)	±10	24 V AC/50-60 HZ	0,08	DC-0307
100		3,3 VA (max)	5 VA (max)	±10	110 V AC/50-60 HZ	0,08	DC-0309
100		3,3 VA (max)	5 VA (max)	±10	230 V AC/50-60 HZ	0,08	DC-0309

(a) = 110V - 230V solenoid valves must be built-in (EN-60204-1)

under continuous service a maximum temperature will not compromise the functioning of the coil provided that the working position is ventilated

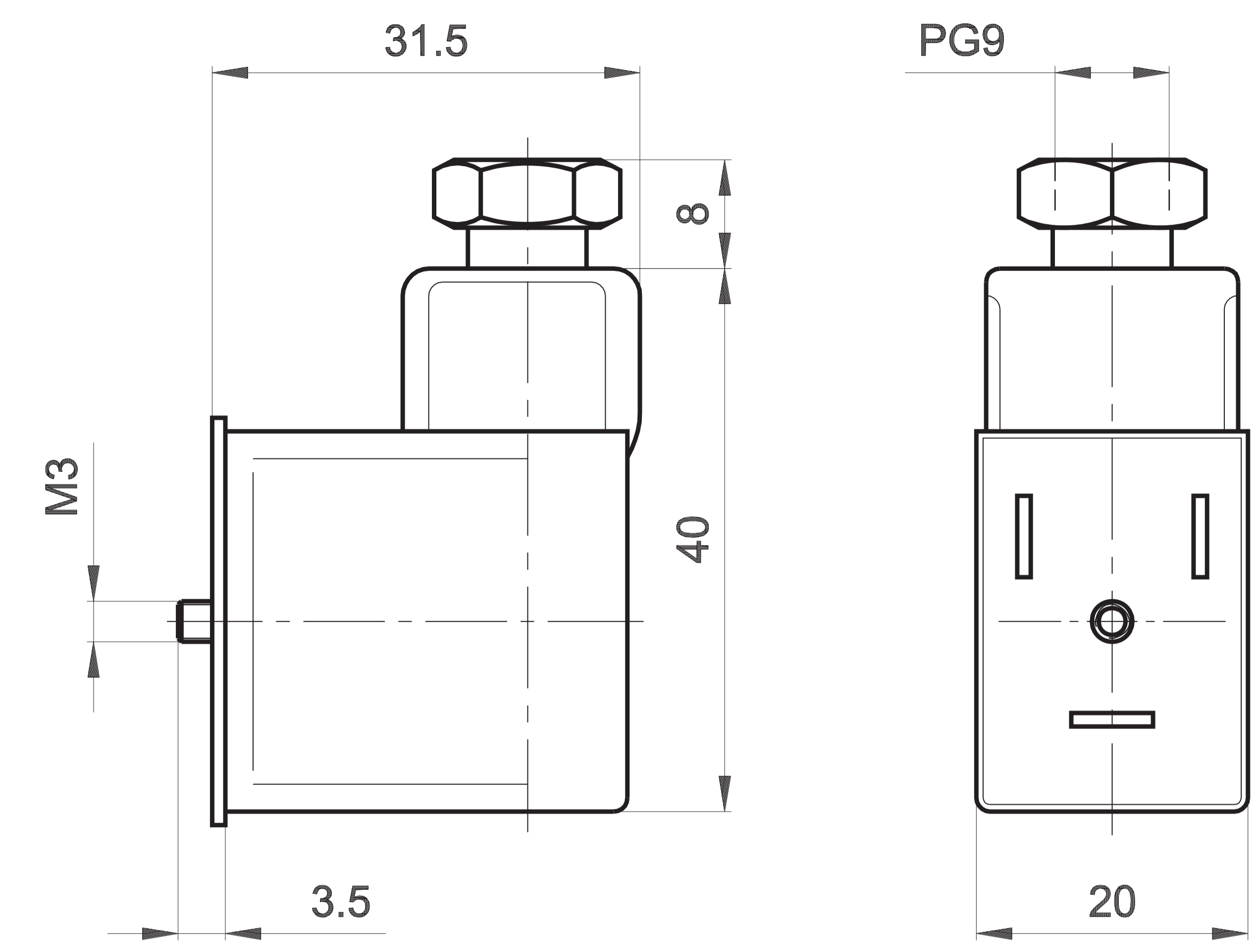
## Connector for U1 coil

Coil	Part no.
------	----------

Connector



U1 AM-5110



Protection according to IP 65. PG9 cable connection. 180° rotation on the coil.  
LED and moulded cable are available upon request.

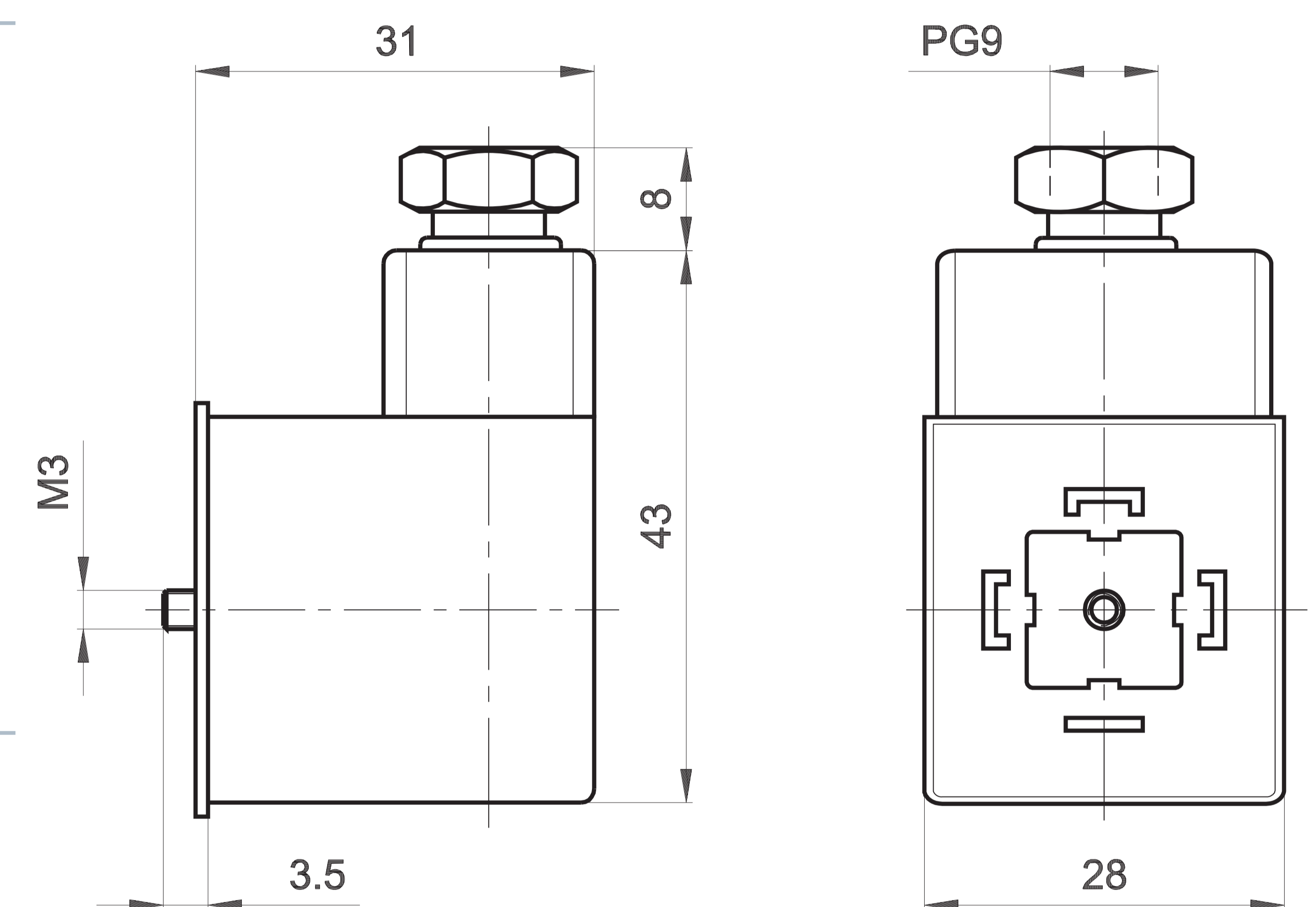
## Connector for U2, U3 coil

Coil	Part no.
------	----------

DIN 43650 connector



U2/U3 AM-5111



Protection according to IP 65. PG9 cable connection. 360° rotation on the coil.  
LED and moulded cable are available upon request.