

mL-TRL30

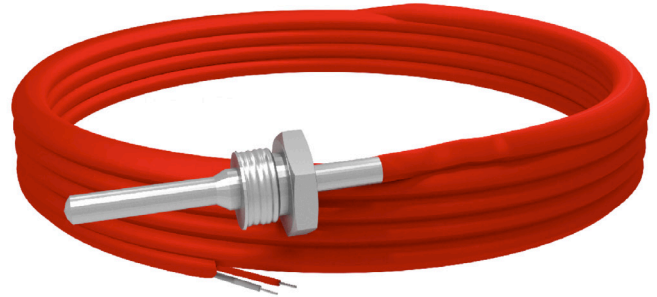
K TYPE THERMOCOUPLES

BAYONET BORE TYPE

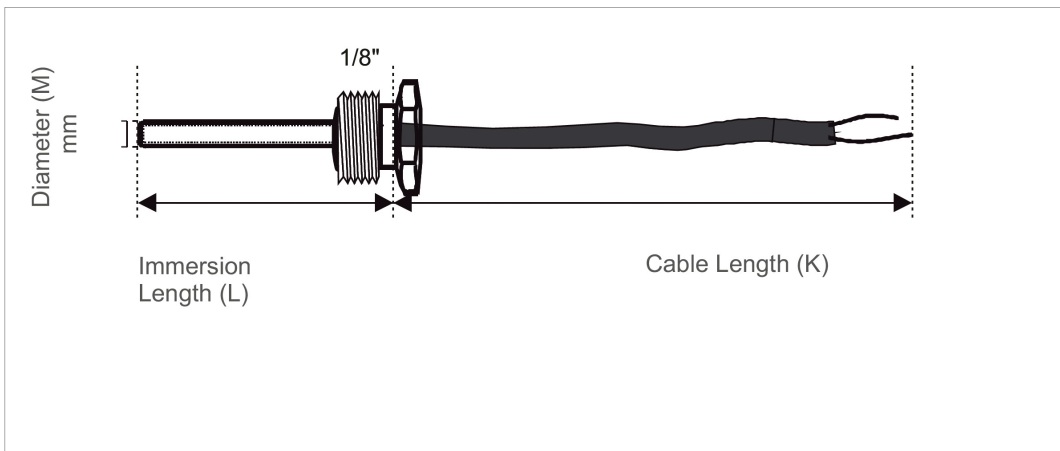
mL-TRL30

SPECIFICATIONS

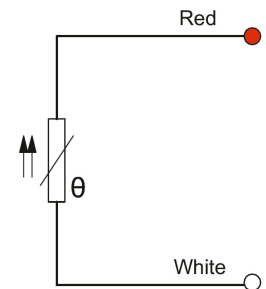
Max Operating Temp:	-50°C / +130°C
Standard Cable Type:	Silicone + Silicone
Sensor Type:	PTC-1K
Protection Tube	Nickel coated brass
Material:	
Fitting Nut:	Standard 1/8"



DIMENSIONS & WIRING CONNECTIONS



PTC Connections



Diameter (M)	6 mm
Immersion Length (L)	30 mm
Cable Length (K)	1.5 meter

ORDERING INFORMATION

Model Number	Description
mL-TRL30	K Type Thermocouple 30mm Immersion Length