

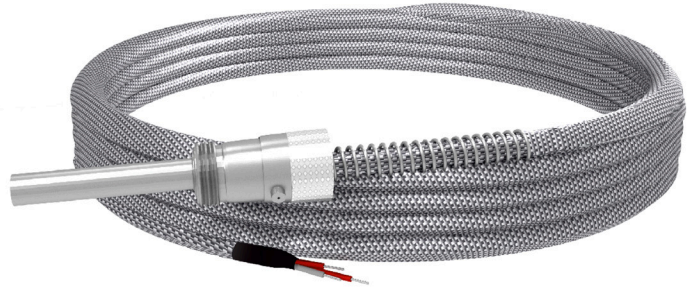
mL-TR50

PT-100 RTD TEMPERATURE SENSOR

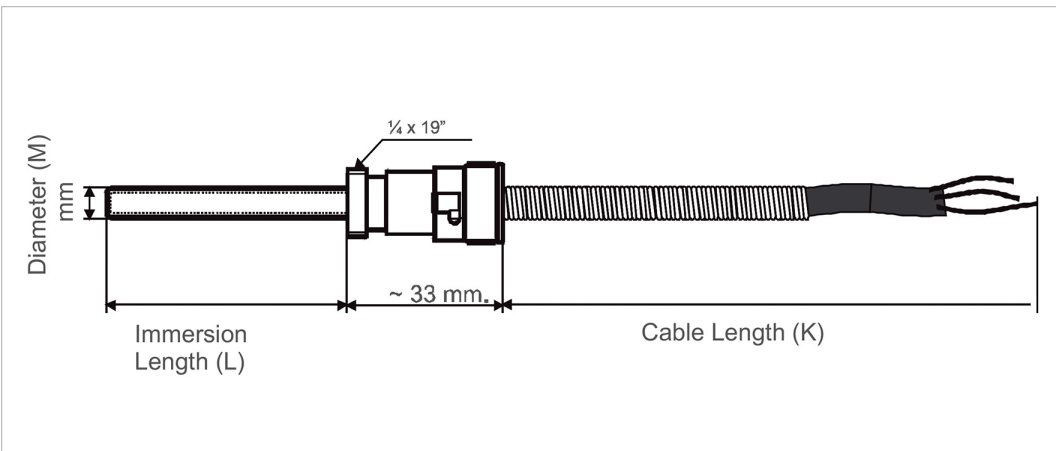
(RT) STANDARD BAYONET TYPE
mL-TR50 - 50mm

SPECIFICATIONS

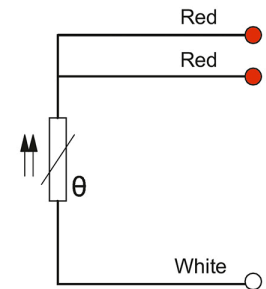
- Max Operating Temp:** -50°C / +400°C
- Standard Cable Types:** Fiberglass + Fiberglass + Braided Wire
- Sensor Type:** DIN/EN60751 Class "B"
1xPT-100
- Protection Tube Material:** Nickel Coated Brass
- Connector:** Standard 1/4 x 19"



DIMENSIONS & WIRING CONNECTIONS



PT-100 Connections



- Diameter (M)** 6 mm
- Immersion Length (L)** 50 mm
- Cable Length (K)** 2 meter

ORDERING INFORMATION

Model Number	Description
mL-TR50	PT-100 RTD Temperature Sensor 50mm Immersion Length