

# mL-TR100

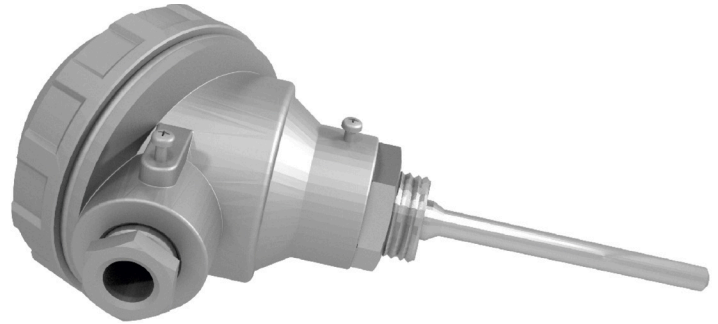
## PT-100 RTD TEMPERATURE SENSOR

### TERMINAL BLOCK WITH FITTING NUT

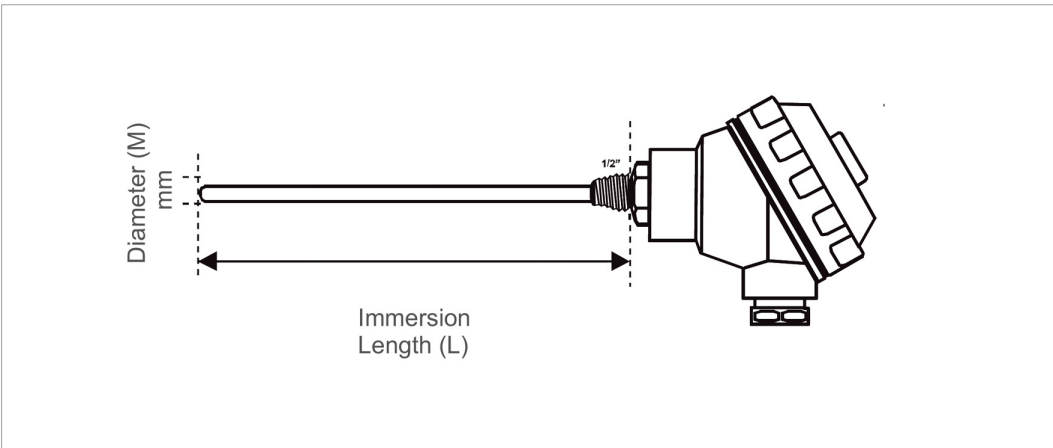
mL-TR100 - 100mm

#### SPECIFICATIONS

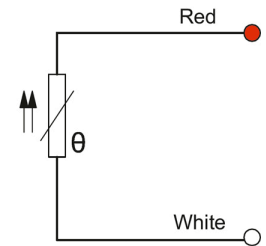
<b>Max Operating Temp:</b>	-50°C / +500°C
<b>Sensor Type:</b>	DIN/EN60751 Class "A" 1xPT-100
<b>Protection Tube Material:</b>	AISI304 (DIN1.4301) Stainless Steel
<b>Fitting Nut:</b>	Standard 1/2" NPT



### DIMENSIONS & WIRING CONNECTIONS



#### PT-100 Connections



<b>Diameter (M)</b>	6 mm
<b>Immersion Length (L)</b>	50 mm

### ORDERING INFORMATION

Model Number	Description
mL-TR100	PT-100 RTD Temperature Sensor 100mm Immersion Length