

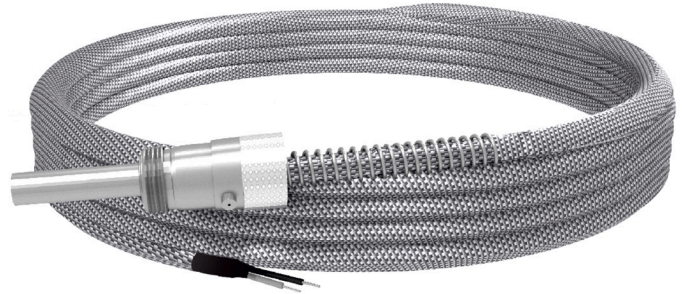
mL-THC30

J TYPE THERMOCOUPLES

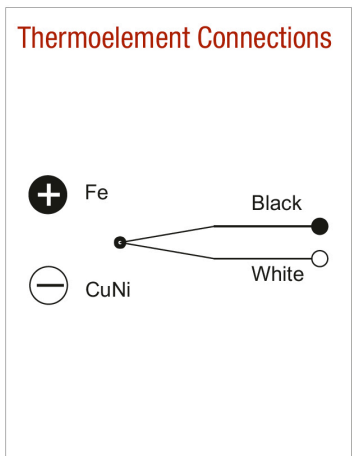
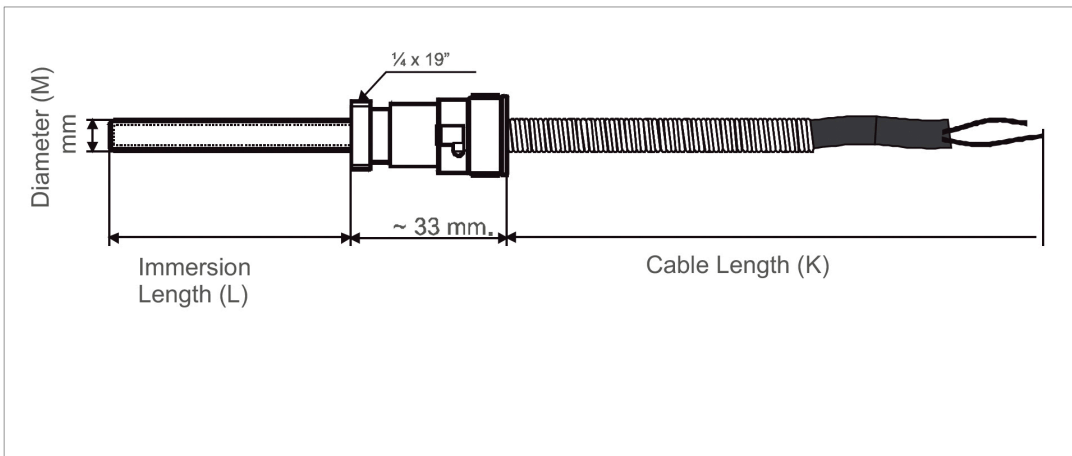
(TC) STANDARD BAYONET TYPE
mL-THC30

SPECIFICATIONS

- Max Operating Temp:** -50°C / +400°C
- Standard Cable Type:** Fiber glass + fiber glass + braided wire
- Sensor Type:** DIN/IEC-584 "J" FeCu-Ni E=J
- Protection Tube Material:** Nickel coated brass
- Connector:** Standard 1/4 x 19"



DIMENSIONS & WIRING CONNECTIONS



- Diameter (M)** 6 mm
- Immersion Length (L)** 30 mm
- Cable Length (K)** 2 meter

ORDERING INFORMATION	
Model Number	Description
mL-THC30	J Type Thermocouple 30mm Immersion Length