

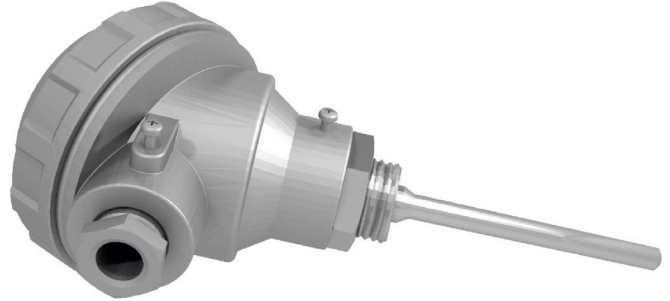
# mL-THC100

## J TYPE THERMOCOUPLES

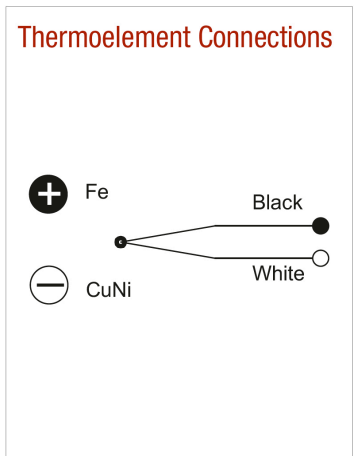
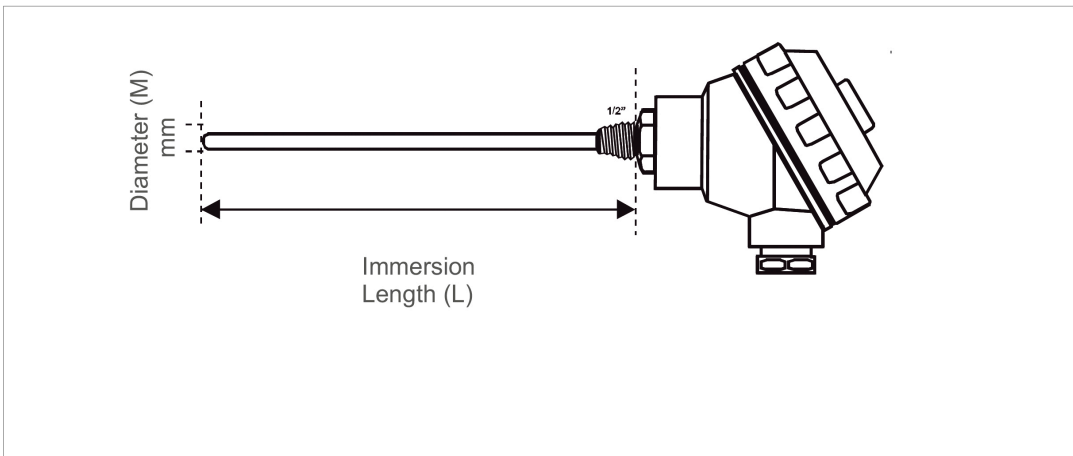
### TERMINAL BLOCK WITH FITTING NUT mL-THC100

#### SPECIFICATIONS

<b>Max Operating Temp:</b>	-50°C / +500°C
<b>Sensor Type:</b>	DIN/IEC-584 "J" FeCu-Ni E=J
<b>Protection Tube</b>	AISI304 (DIN1.4301)
<b>Material:</b>	Stainless Steel
<b>Fitting Nut:</b>	Standard 1/2" NPT



#### DIMENSIONS & WIRING CONNECTIONS



<b>Diameter (M)</b>	6 mm
<b>Immersion Length (L)</b>	100 mm

ORDERING INFORMATION	
Model Number	Description
mL-THC100	J Type Thermocouple 100mm Immersion Length