

mL-PI8

PROCESS INDICATOR - UNIVERSAL INPUT

FEATURES

- 4 digit process display
- Universal process input (TC, RTD, mV DC, V DC, mA DC)
- Dual or multi point calibration for DC voltage & DC current inputs
- Smart output module system
- Programmable Alarm functions
- Process control or re-transmission with 0/4...20 mA Current output
- RS-485 serial communication with Modbus RTU protocol



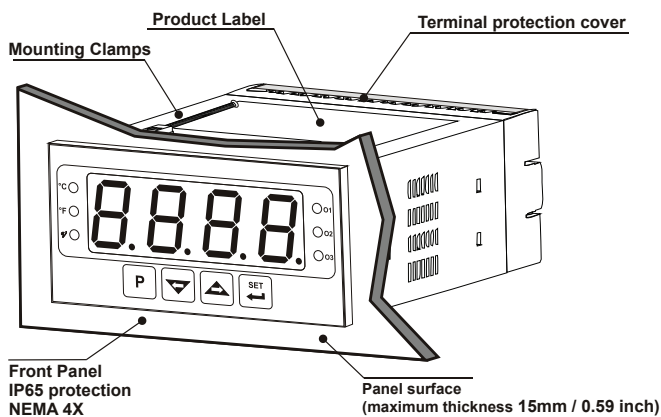
DESCRIPTION

The mL-PI8 process indicators are designed for measuring temperature and any process value. They can be used in many applications with their universal process input, alarm functions and serial communication unit.

Application Fields

Glass
Food
Plastic
Petrol-Chemistry
Textile,
Machine Production Industries Etc.

GENERAL DESCRIPTION

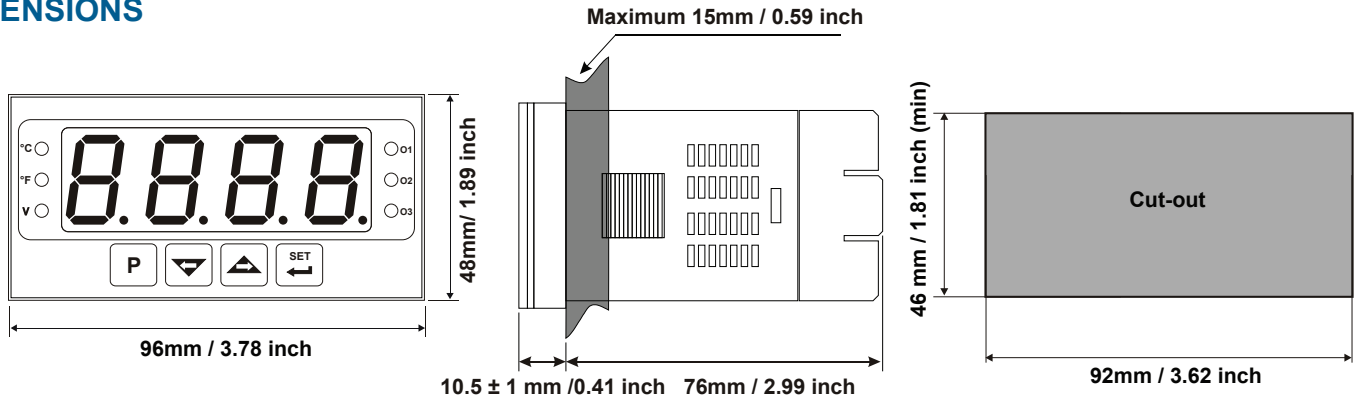


SPECIFICATIONS

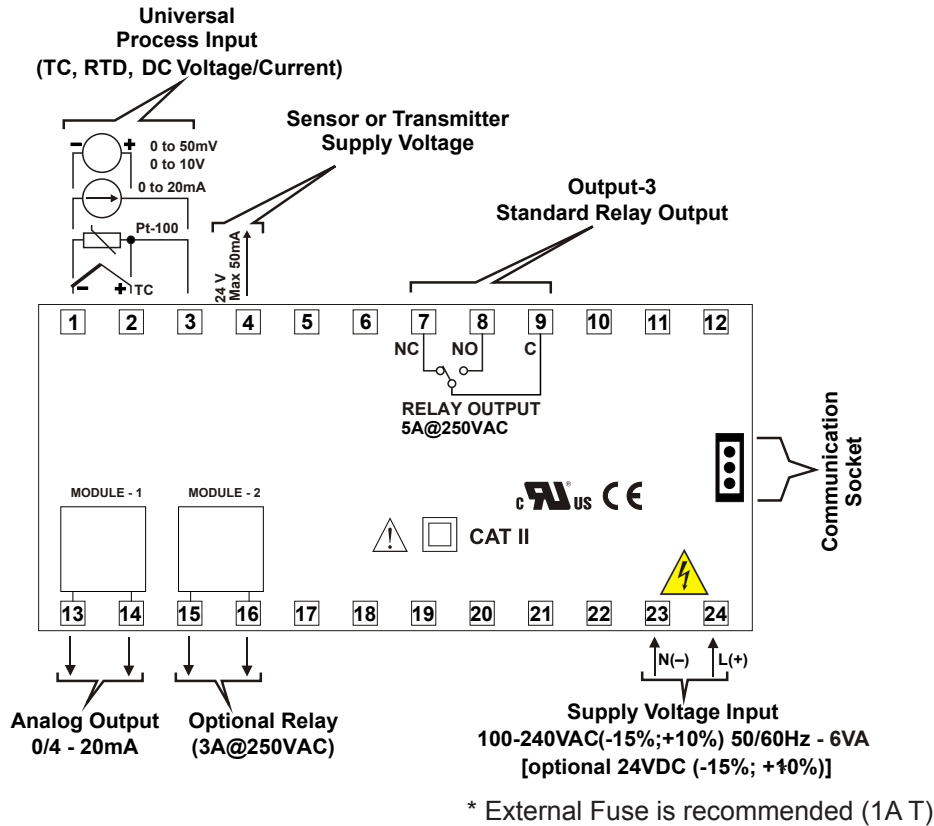
Buttons	Program Arrow (change), Set/Enter buttons
LED Indicators	O1/O2/O3 output LEDs °C / °F / V units LEDs.
Display	20.3 mm Red 4 digits LED display
Physical Features	96 mm x 48 mm 86,5 mm
Protection Class	NEMA 4X (IP65 at front, IP20 at rear)
Weight	Approximately 0.21 Kg.
Installation	Fixed Installation
Supply Voltage and Power	100-240 VAC (-15%,+10%) 50/60 Hz. 6 VA 24VDC (-15%,+10%) Supply Voltage (optional)
Process Inputs	Universal Input TC, RTD, Voltage/ Current (dc)
Thermocouple Input Types	Selectable by configuration parameters L (DIN43710), J, K, R, T, S, B, E, N (IEC584.1) (ITS90)
RTD Input Types	PT100 (IEC751) (ITS90)
Voltage Input Types (DC)	Selectable by configuration parameters 0-50 mV, 0-5 V, 0-10 V
Current Input Types (DC)	Selectable by configuration parameters 0-20 mA, 4-20 mA
Accuracy	± 0.25% of full scale for Thermocouple, Thermoresistance, and Voltage.
Reading Frequency	3 readings per second
Relay Output(s)	5A@250 VAC resistive load Additional 3A Relay (optional)
Control Form	On / Off
Analog Output	0/4-20mA Current Output (sourcing)
Serial Communication	RS-485 with Modbus RTU (cable purchased separately)
Communication Protocol	MODBUS-RTU
Approvals	UL Recognized Component (File No : E 254103), GOST-R, CE

PRELIMINARY DATASHEET; SPECIFICATIONS ARE SUBJECT TO CHANGE

DIMENSIONS



WIRING



ORDERING INFORMATION

Model Number	Description
mL-PI8	Process Indicator 1/8 DIN Case Universal Input. Selectable: TC, RTD, mV, VDC, or mA 100 to 240VAC (-15%; +10%) 50/60Hz Relay Output (5A @ 250VAC with Resistive Load) (Form C) RS-485 Serial Communication with Modbus RTU Protocol Analog Output 0/4 - 20mA
Options (add to end of model number)	
RLY	Additional Relay Output (3A @ 250VAC with Resistive Load) (Form A)
24VDC	24VDC (-15%; +10%) Power Input
Accessories	
mL-PI8-gasket	Gasket to provide NEMA4X seal
mL-cable-485	RS485 Serial Cable

PRELIMINARY DATASHEET; SPECIFICATIONS ARE SUBJECT TO CHANGE