

mL-OTC2

ON / OFF TEMPERATURE CONTROLLER WITH 2 RELAYS



SPECIFICATIONS

Process Input	TC, RTD Thermocouple (TC): J, K, R, S and T (IEC584.1)(ITS90) Thermoresistance (RTD) PT-100 (IEC751)(ITS90)
Measurement Range	Please refer to process input type selection in process menu parameter section.
Accuracy	± 0,25 of scale for thermocouple and thermoresistance
Cold Junction Compensation	Automatically. ±0.1°C/1°C
Line Compensation	Maximum 10 Ohm
Sensor Break Protection	Upscale
Sampling Cycle	0,1 second
Input Filter	Programmable
Control Form	ON/OFF
Process Output	Relay (5A@250VAC at Resistive Load)
Alarm Outputs	Relay (5A@250VAC at Resistive Load)
Operation Temperature	0...50°C
Humidity	0-90%RH (None condensing)
Protection Class	Ip65 front, Ip20 rear
Weight	150 gr.
Dimension	48 x48 mm
Depth	86,5 mm
Panel Cut-Out	46 x46 mm

FEATURES

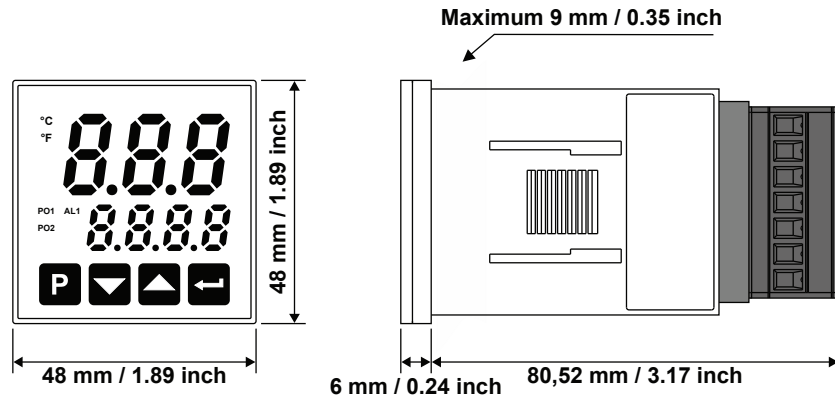
- 3 digit process (PV) and 4 digit set (SV) display
- Process input (TC,RTD)
- ON/OFF control form
- Selectable heating and cooling function
- Operating type selection with hysteresis
- Adjustment of temperature offset value
- Minimum pulling time adjustment for control outputs
- Password protection for programming mode

DESCRIPTION

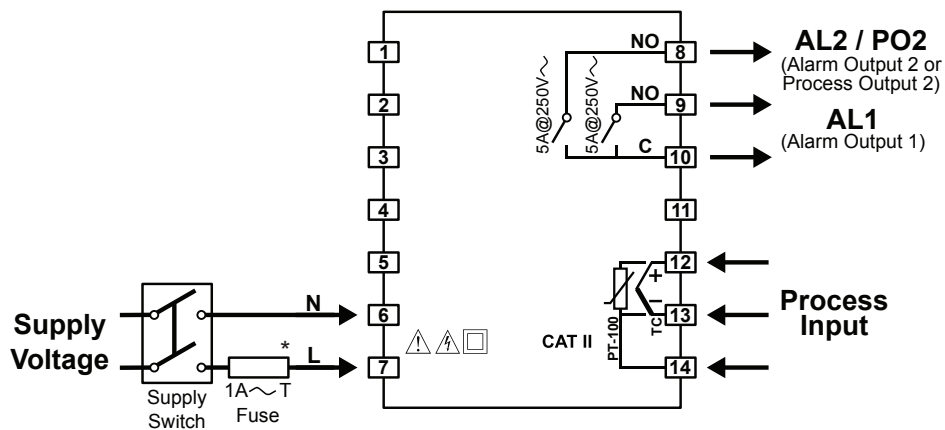
The mL-OTC2 series temperature controllers are designed for measuring and controlling temperature. They can be used in many applications with their TC and RTD temperature measurement input, On/Off control form and heating and cooling selection.

They are mainly used in glass, plastic, petro-chemistry, textile, automotive and machine production industries.

DIMENSIONS



WIRING



To reduce the effect of electrical noise on device, low voltage line (especially sensor input cable) wiring must be separately from high current and voltage line. If possible, use shielded cable and shield must be connected to ground only one side.

* External Fuse is recommended (1A T)

ORDERING INFORMATION

Model Number	Description
mL-OTC2	ON / OFF Temperature Controller 1/16 DIN Case 115VAC Supply Voltage ($\pm 15\%$) 50/60Hz TC, RTD Sensor Input 2 Relay Outputs (5A @ 250VAC with Resistive Load) (NO, NO, C)