

mL-HTC

HUMIDITY / TEMPERATURE CONTROLLER

FEATURES

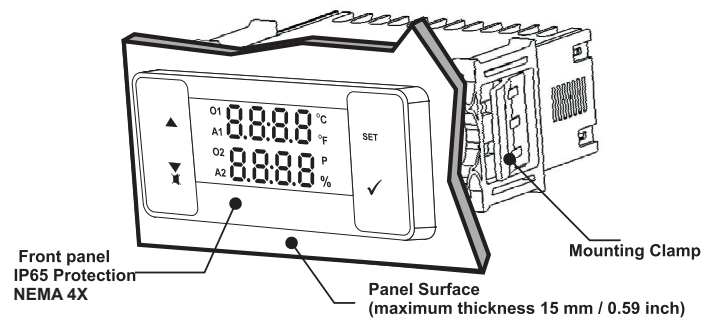
- 4 Digits for Temperature Display
- 4 Digits for Humidity Display
- Temperature Sensor Input: 0/4..20mA
- Humidity Sensor Input: 0/4..20mA
- 4 Relay Outputs
 - Heating Control Output
 - Heating Alarm Output
 - Humidification Control Output
 - Humidification Alarm Output
- Selectable Temperature Control (PID or ON / OFF)
- Auto-Tune PID
- Set value boundaries
- Alarm parameters
- Adjustable internal buzzer according to the alarm situations
- Password protection for programming mode,
- CE compliant according to European Norms



DESCRIPTION

The mL-HTC Temperature + Humidity controller is designed for the control of humidity and temperature in industrial processes. PID or On / Off control is available to control the process. 4 Relays are offered for control and alarm outputs.

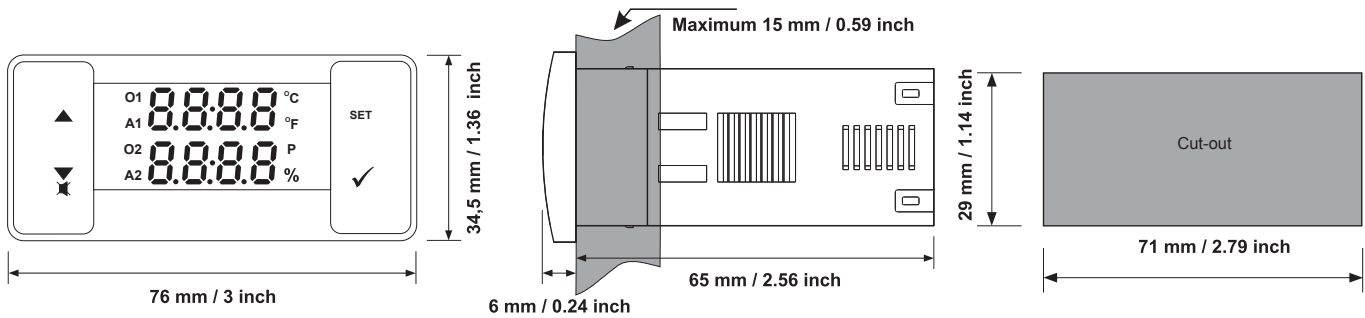
GENERAL DESCRIPTION



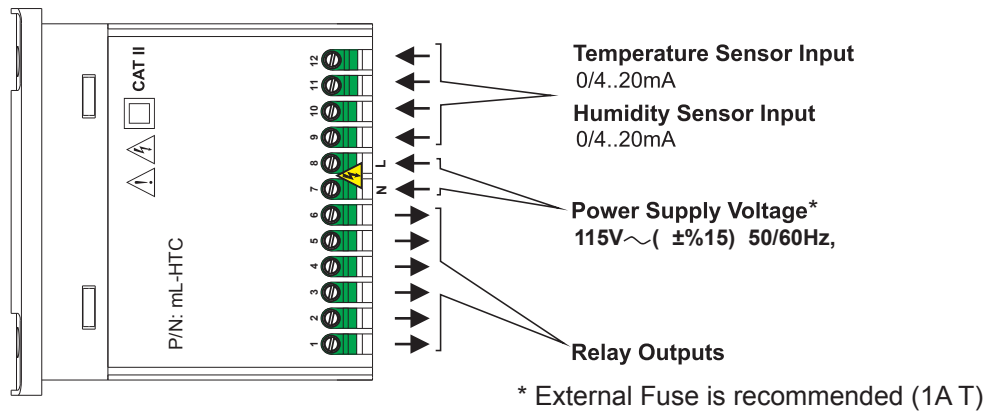
SPECIFICATIONS

Device Type	Temperature+Humidity Controller
Housing&Mounting	76 mm x 34.5 mm x71 mm Plastic housing for panel; Panel cut out is 71 x 29 mm.
Protection Class	Ip65 at front, Ip20 at rear.
Weight	Approximately 0.2 Kg
Environmental Ratings	Standard,indoor at an altitude of less than 2000 meters with none condensing humidity.
Storage / Operating Temperature	-40°C to +80°C / -30°C to +80°C
Storage / Operating Humidity	90 % max. (None condensing)
Installation	Fixed installation
Overvoltage Category	II.
Pollution Degree	II, office or workplace, none conductive pollution
Operating Conditions	Continuous
Supply Voltage and Power	115V~ (±%15) 50/60Hz- 1.5VA
Temperature Sensor Input	0/4..20mA
Humidity input type	0/4..20mA
Accuracy	± 1 % of full scale
Sensor Break Protection	Upscale
Control Form	PID or ON / OFF

DIMENSIONS



WIRING



ORDERING INFORMATION

Model Number	Description
mL-HTC	Humidity / Temperature Controller 115 VAC (±15%) 50/60Hz - 1.5VA 0/4 to 20 mA Temperature Sensor Input 0/4 to 20 mA Humidity Sensor Input Heating Output: Relay Output (5A @ 250VAC with Resistive Load) (1 NO; 1NC) Humidifier Output: Relay Output (3A @ 250VAC with Resistive Load) (1 NO) Heating Alarm Output: (3A @ 250VAC with Resistive Load) (1 NO) Humidifier Alarm Output: (3A @ 250VAC with Resistive Load) (1 NO)