

# mL-HS

## TEMPERATURE & RELATIVE HUMIDITY TRANSMITTER

### FEATURES

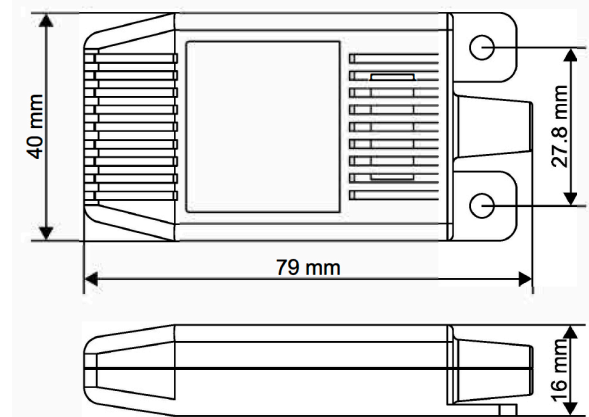
- Adjusted temperature and relative humidity sensor
- On ordering, user selectable analog temperature and/or relative humidity outputs
- High analog output accuracy
- High stability on analogue outputs related humidity and temperature measurement
- Independent analogue output selections for humidity and temperature



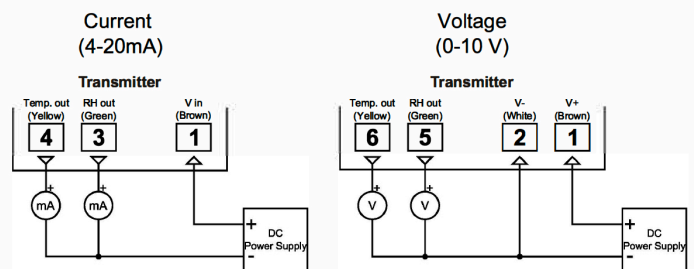
### SPECIFICATIONS

Performance	
Measurement Range (RH)	0...100 %RH
Measurement Range (T)	-20...+80°C
Accuracy (RH)	+/- 2 %RH (Typ) at 23°C
Accuracy (T)	+/- 0.1°C (Typ) at 23°C
Stability (RH)	<1 %RH/year (Typ)
Stability (T)	<0.04°C/year (Typ)
Hysteresis (RH)	+/-1 %RH
Hysteresis (T)	+/- 0.1°C
Electrical Specifications	
Supply Voltage	16...32VDC, Max. 1.5W
Output Signal	0-10 V, 2-10 V, 4-20 mA
Stability of Analogue Outputs	Voltage output +/- 0.1% Current output +/- 0.5%
Operating Conditions	
Operating Temperature	-40...+85°C
Operating Elevation	Up to 2000 meter
Mechanical Specifications	
Protection Degree	
Weight	110g

### DIMENSIONS



### WIRING CONNECTIONS



**ATTENTION:** Only 4-20 mA type, temperature output must always be connected to the power supply's negative pin!

### ORDERING INFORMATION

Model Number	Description
mL-HS	Temperature/Humidity Sensor Portable Humidity 4-20mA Output Temperature 4-20mA Output 16 - 32 VDC Power Supply