

mL-HSW

TEMPERATURE & RELATIVE HUMIDITY TRANSMITTER

FEATURES

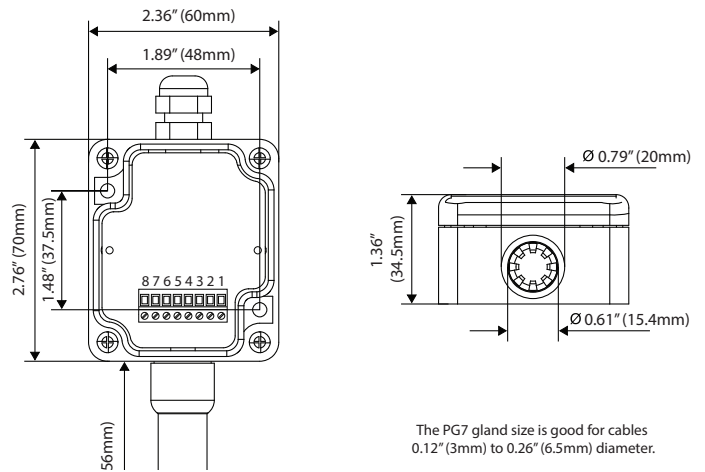
- Combination temperature and relative humidity sensor
- 4-20mA temperature and 4-20mA relative humidity outputs
- High accuracy
- High stability on outputs for relative humidity and temperature measurement
- Easy wall mount installation



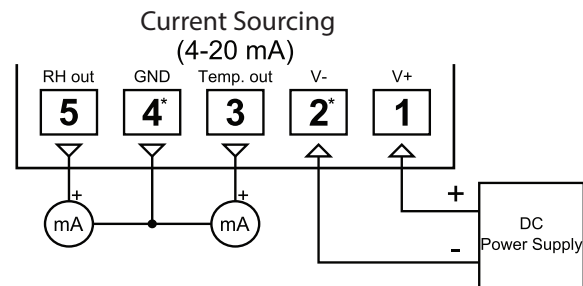
SPECIFICATIONS

Performance	
Measurement Range (RH)	0...100 %RH
Measurement Range (T)	-20...+80°C (-4...+176°F)
Accuracy (RH)	+/- 2 %RH (Typ) at 23°C
Accuracy (T)	+/- 0.1°C (Typ) at 23°C <1
Stability (RH)	%RH/year (Typ)
Stability (T)	<0.04°C/year (Typ)
Hysteresis (RH)	+/-1 %RH
Hysteresis (T)	+/- 0.1°C
Electrical Specifications	
Supply Voltage	16...32VDC, Max. 1.5W
Output Signal	Active Sourcing 4-20 mA
Stability of 4-20mA Outputs	+/- 0.5%
Operating Conditions	
Operating Temperature	-40...+85°C
Operating Elevation	Up to 2000 meter
Mechanical Specifications	
Protection Degree	IP65 (Except sensor)
Weight	130 gr

DIMENSIONS



WIRING CONNECTIONS



ORDERING INFORMATION

Model Number	Description	NOTE:
mL-HSW	Temperature/Humidity Sensor Wall Mount Humidity 4-20mA Output Temperature 4-20mA Output 16 - 32 VDC Power Supply	Voltage Output and RS485 Output available on special order, Consult factory for details