

# mL-HCC150

## HEATING / COOLING CONTROLLER - PTC THERMISTOR INPUT

### FEATURES

- 4 Digits Display
- PTC Input with -50 to 130°C (-58 to 266°F) Scale
- Adjustable temperature offset
- ON/OFF temperature control
- Selectable heating or cooling function
- Selection of operation with hysteresis
- Adjustable temperature offset
- Set value low limit and set value high limit boundaries
- Operation selection of compressor operates continuously, stops or operates periodically in case of sensor defect
- Compressor protection delays
- Adjustable internal buzzer according to sensor defect status.
- Password protection for programming section
- CE compliant according to European Norms

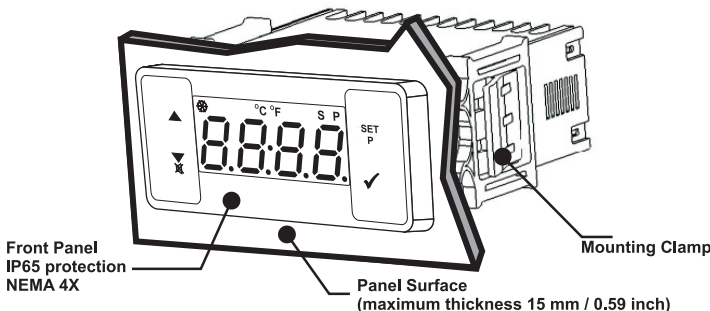


### DESCRIPTION

The mL-HCC150 temperature controllers are designed for measuring and controlling temperature. They can be used in many applications with their On / Off control form, heating and cooling control form and easy-use properties. Some application fields which they are used are below:

<u>Application Fields</u>	<u>Applications</u>
Glass	Heating
Food	Baking Ovens
Plastic	Incubators
Petrol-Chemistry	Storages
Textile,	Automotive Air
Machine Production Industries	Conditioning Etc.
Etc.	

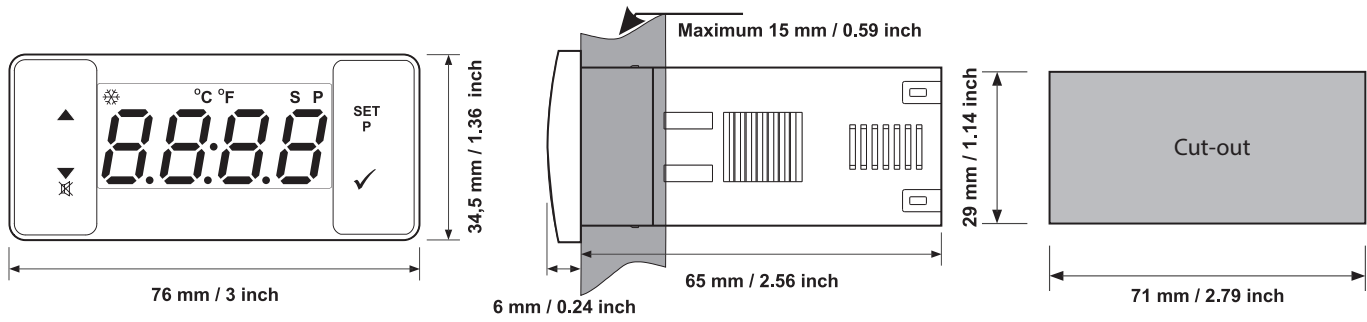
### GENERAL DESCRIPTION



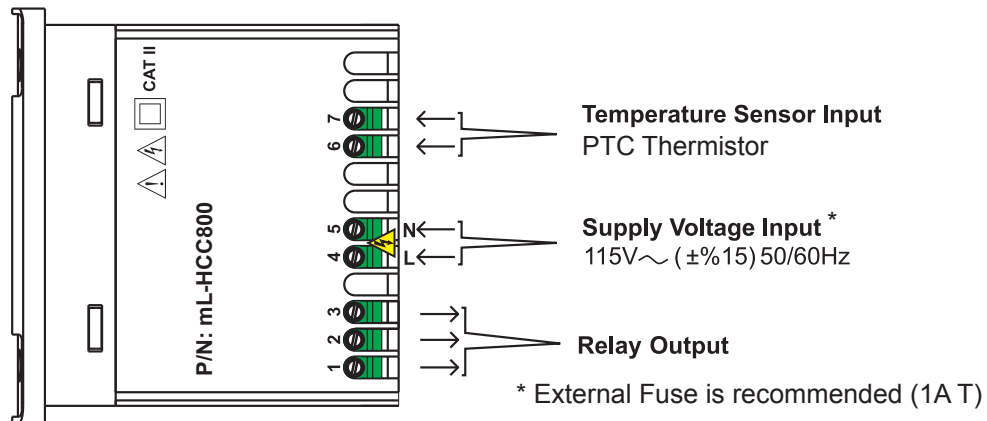
### SPECIFICATIONS

Device Type	Temperature Controller
Housing & Mounting	76mm x 34.5mm x 71 mm plastic housing for panel, Mounting. Panel cut-out is 71x29mm.
Protection Class	NEMA 4X (Ip65 at front, Ip20 at rear).
Weight	Approximately 0.20 Kg.
Environmental Ratings	Standard, indoor at an altitude of less than 2000 meters with none condensing humidity.
Storage   Operating Temperature	-30 °C to +80 °C / -20 °C to +70 °C
Storage   Operating Humidity	90 % max. (None condensing)
Installation	Fixed installation
Overvoltage Category	:II.
Pollution Degree	II, office or workplace, none conductive pollution
Operating Conditions	Continuous
Supply Voltage and Power	115V~ (± %15) 50/60Hz-1.5VA
Temperature Sensor Input	PTC Thermistor Input with -50 to 130°C (-58 to 266°F) Scale
Accuracy	± 1 % of full scale
Sensor Break Protection	Upscale
Sampling Cycle	3 samples per second
Control Form	ON / OFF
Relay Output	16(8) A@250 V ~ for Resistive load
Display	(Electrical life 100.000 switching at full load) 14 mm Red 4 digits LED Display
LED	S (Green), P (Green), °C (Yellow), °F (Yellow), Compressor Output (Red). Heating Output (Red)
Internal Buzzer	>8 3dB
Approvals	EAC, CE

## DIMENSIONS



## WIRING



## ORDERING INFORMATION

Model Number	Description
mL-HCC150	Heating / Cooling Temperature Controller 115 VAC ( $\pm$ 15%) 50/60Hz - 1.5VA PTC Thermistor Input with -50 to 130°C (-58 to 266°F) Scale Relay Output (5A @ 250VAC with Resistive Load) (1 NO; 1NC)