

mL-DTC100

DIGITAL TEMPERATURE CONTROLLER 100°C

FEATURES

- 4 Digits Display
- NTC Input (-50 to 100°C scale)
- Adjustable temperature offset
- PIO or ON/OFF temperature control
- Selectable heating or cooling function
- Selection of operation with hysteresis
- Set value low limit and set value high limit boundaries
- Operation selection of compressor operates continuously, stops or operates periodically in case of sensor defect
- Compressor protection delays
- Alarm parameters
- Adjustable internal buzzer according to sensor defect status.
- Password protection for programming section
- CE compliant according to European Norms



DESCRIPTION

The mL-DTC100 temperature controllers are designed for measuring and controlling temperature. They can be used in many applications with their On / Off control form, heating and cooling control form and easy-use properties. Some application fields which they are used are below:

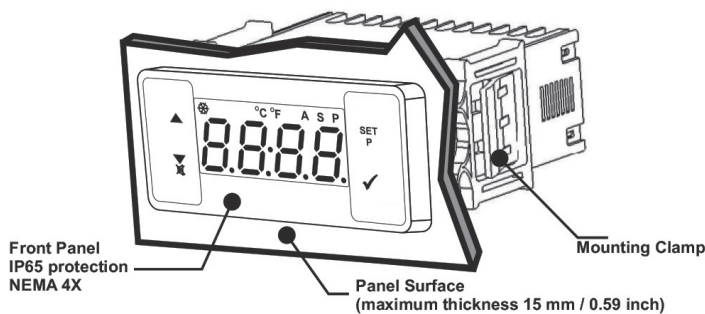
Application Fields

Glass
Food
Plastic
Petrol-Chemistry
Textile,
Machine Production Industries
Etc.

Applications

Heating
Baking Ovens
Incubators
Storages
Automotive Air
Conditioning Etc.

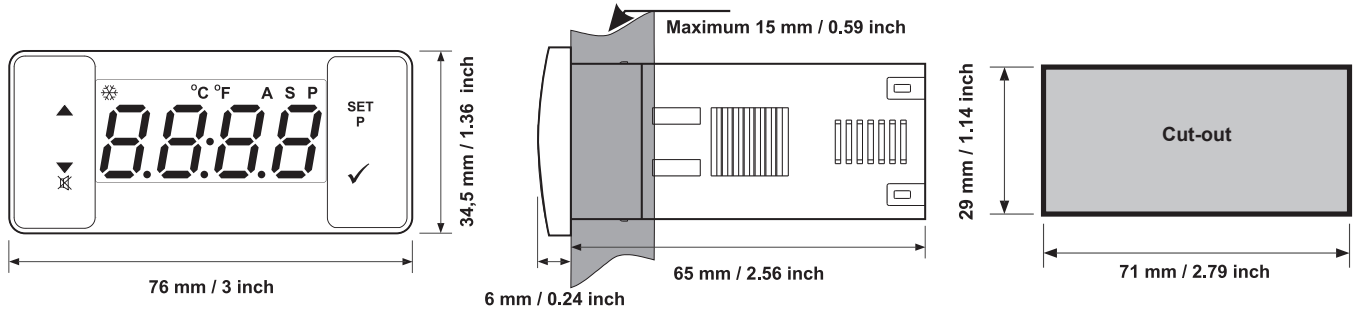
GENERAL DESCRIPTION



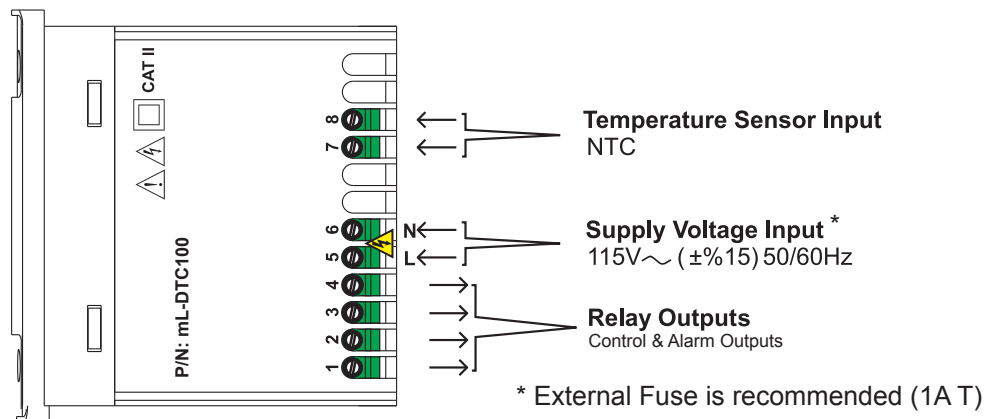
SPECIFICATIONS

Device Type	Temperature Controller
Housing & Mounting	76mm x 34.5mm x 71mm plastic housing for panel
Protection Class	Mounting. Panel cut-out is 71x29mm. NE MA 4X (Ip65 at front, Ip20 at rear).
Weight	Approximately 0.20 Kg.
Environmental Ratings	Standard, indoor at an altitude of less than 2000 meters with none condensing humidity.
Storage / Operating Temperature	-30 °C to +80 °C / -20 °C to +70 °C
Storage / Operating Humidity	90 % max. (None condensing)
Installation	Fixed installation
Overvoltage Category	II.
Pollution Degree	II, office or workplace, none conductive pollution
Operating Conditions	Continuous
Supply Voltage and Power	115V~ (±%15) 50/60Hz- 1.5VA
Temperature Sensor Input	NTC Thermister
NTC input type	NTC (10 kΩ@25 °C)
Accuracy	± 1 % of full scale
Sensor Break Protection	Upscale
Sampling Cycle	3 samples per second
Control Form	PIO or ON / OFF
Relay Output	8 A@250 VAC for Resistive load (Compressor Output)(Electrical life100.000 switching at full load)
Display	14 mm Red 4 digits LED Display
Internal Buzzer	>83dB
Approvals	EAC, CE

DIMENSIONS



WIRING



ORDERING INFORMATION

Model Number	Description
mL-DTC100	Digital Temperature Controller 115 VAC (±15%) 50/60Hz - 1.5VA NTC Thermistor Input Type with -50 to 100°C (-58 to 212°F) Scale 1 Form A Relay Control Output (8A @ 250VAC with Resistive Load) (1 NO) 1 Form A Relay Alarm Output (5A @ 250VAC with Resistive Load) (1 NO)