

mL-BC

BATTERY CHARGER FOR 12VDC OR 24VDC (3A OR 5A)

FEATURES

- Float charging
- 67 KHz switching
- Constant output voltage
- Current limiting
- Fail (Relay) output
- High Current and short circuit protection
- Reverse connection protection
- High temperature protection
- Wide range operation voltage
- Suitable for Lead Acid battery
- %95 efficiency



SPECIFICATIONS

BOOST INPUT

Quick charge input. To activate, place a jumper between the BOOST inputs. (Terminals 6 & 7)

OUTPUT

12V, 3A: 13.7VDC
 12V, 5A: 13.7VDC
 24V, 3A: 27.4VDC
 24V, 5A: 27.4VDC

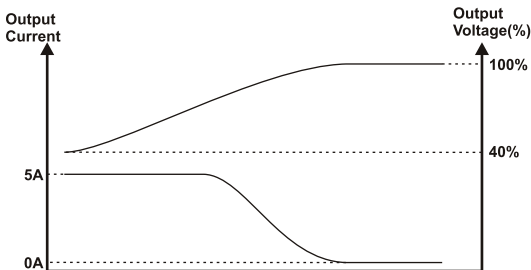
FAIL OUTPUT

Relay Output

DISPLAY

Green LED shows the device is switching.
 Red LED shows the device has failed.

CURRENT-VOLTAGE CURVE



ELECTROMAGNETIC COMPATIBILITY

- EN 61000-6-4:2007 EMC Generic Emission Standard for Industrial Environments
- EN 61000-6-2:2006 EMC Generic Immunity Standard for Industrial Environments
- EN 61010-1 :2003 Safety Requirements for electrical equipment for measurement, control and laboratory use

POWER SUPPLY

90-290VAC 50/60 Hz

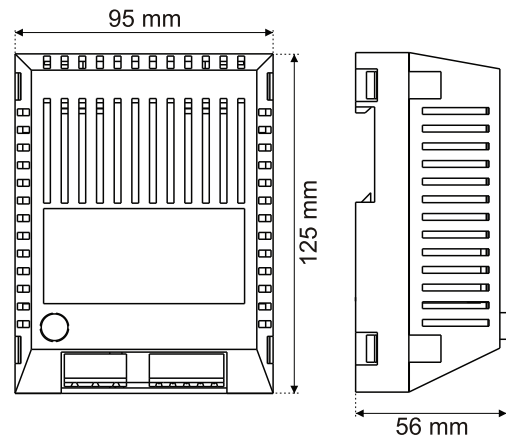
Operation Temperature: -30 ... 60°C

Humidity: 0-95%RH (non condensing)

Protection Class: IP20

Weight: 370 gr.

Dimensions: 125mm 195mm 156 mm

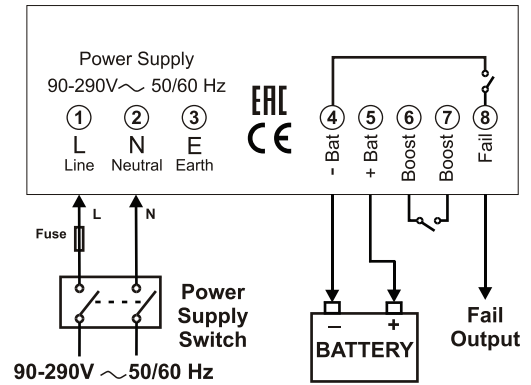


WIRING

WIRING TYPE: Screw Terminal

RECOMMENDED EXTERNAL AC FUSE:

12V 3A	1.5A@250V T type
12V 5A	2.0A@250V T type
24V 3A	2.5A@250V T type
24V 5A	3.5A@250V T type



L	AC line
N	AC neutral
E	Earth
-BAT	Battery Negative
+BAT	Battery Positive
BOOST	Boost Input
BOOST	Boost Input
FAIL	Charge Fail Output

ORDERING INFORMATION

Model Number	Description
mL-BC312	12V, 3A Battery Charger with 90-290VAC 50/60Hz Input
mL-BC512	12V, 5A Battery Charger with 90-290VAC 50/60Hz Input
mL-BC324	24V, 3A Battery Charger with 90-290VAC 50/60Hz Input
mL-BC524	24V, 5A Battery Charger with 90-290VAC 50/60Hz Input