

MODEL 865T – STAINLESS STEEL ENCODER



Ø6.5"

FEATURES

A C-Face Thru-Bore Encoder with Stainless Steel Housing
Fits NEMA Size 56C Thru 184C Motor Faces (4.5" AK)
Slim Profile – Only 1.00" Deep
Incorporates Opto-ASIC Technology
Resolutions to 4096 CPR

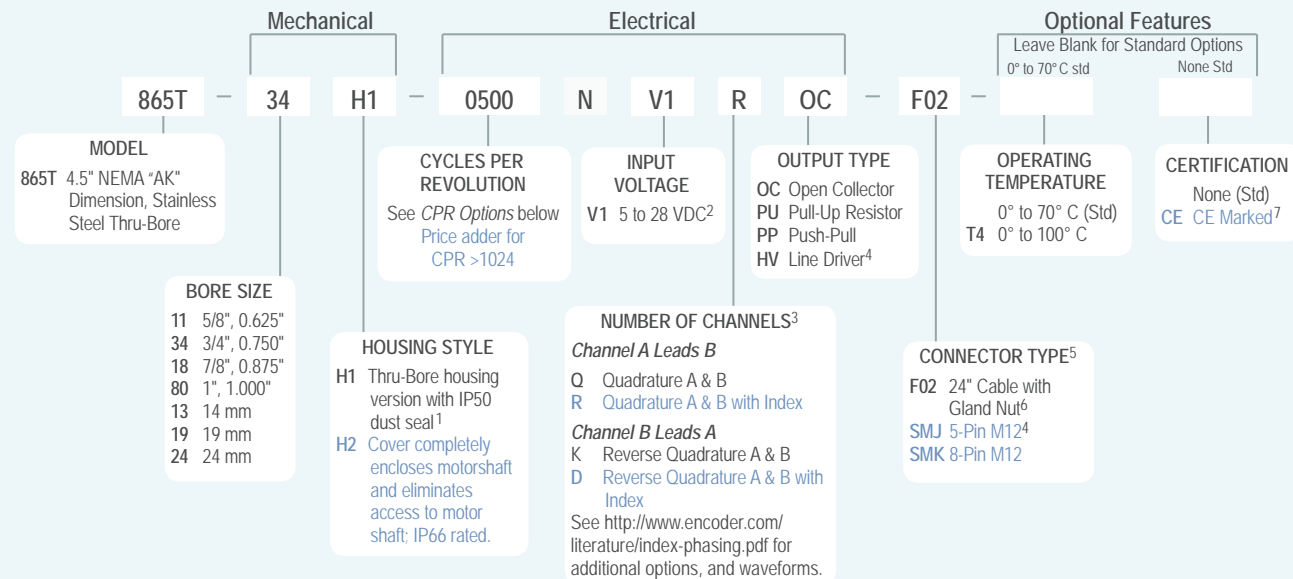
The Model 865T C-Face encoder is a rugged, high resolution encoder designed to mount directly on NEMA C-Face motors. Both sides of the encoder are C-Face mounts, allowing additional C-Face devices to be mounted to this encoder. Unlike many C-Face kit type encoders, the Model 865T contains precision bearings and an internal flex mount, virtually eliminating encoder failures and inaccuracies induced by motor shaft runout or axial endplay. The advanced Opto-ASIC design provides advanced noise immunity necessary for many industrial applications. This encoder is ideal for applications using induction motors and flux vector control. The 1.00" thick model 865T provides speed and position information for drive feedback in a slim profile. The thru-bore design allows fast and simple mounting of the encoder directly to the accessory shaft or to the drive shaft of the motor, using the standard motor face (NEMA sizes 56C - 184C). The tough Type 316 Stainless Steel housing resists the corrosion and hazards of a caustic industrial environment.

COMMON APPLICATIONS

Motor Feedback, Velocity & Position Control, Conveyors, Variable Speed Drives, Mixing & Blending Motors, Assembly & Specialty Machines

MODEL 865T ORDERING GUIDE

Blue type indicates price adder options. Not all configuration combinations may be available. Contact Customer Service for details.



MODEL 865T CPR OPTIONS

0060 0100 0120 0240 0250 0256 0500
 0512 1000 1024 2048 2500 4096

Contact Customer Service for other disk resolutions; not all disk resolutions available with all output types.

NOTES:

- Housing style H1 Thru-Bore version equipped with IP50 dust seal. Unit must be mounted between two C-Face devices with supplied gasket kit to be IP66 sealed.
- 5 to 24 VDC max for high temperature option.
- Contact Customer Service for index gating options.
- Line Driver Output not available with 5-Pin M12 connector.
- For mating connectors, cables, and cordsets see [Accessories](#) at encoder.com. For Connector Pin Configuration Diagrams, see Technical Information or see [Connector Pin Configuration Diagrams](#) at encoder.com.
- For non-standard cable lengths enter "F" plus cable length expressed in feet. Example: F06 = 6 feet of cable.
- Please refer to Technical Bulletin [TB100: When to Choose the CE Mark](#) at encoder.com.

MODEL 865T SPECIFICATIONS

Electrical

Input Voltage.....4.75 to 28 VDC max for temperatures up to 70° C
4.75 to 24 VDC for temperatures between 70° C and 100° C

Input Current100 mA max with no output load
Input Ripple.....100 mV peak-to-peak at 0 to 100 kHz

Output Format.....Incremental – Two square waves in quadrature with channel A leading B for clockwise shaft rotation, as viewed from the mounting face.
See *Waveform Diagrams*.

Output Types.....Open Collector – 100 mA max per channel
Pull Up – Open Collector with 2.2K ohm internal resistor, 100 mA max per channel
Push-Pull – 20 mA max per channel
Line Driver – 20 mA max per channel (Meets RS 422 at 5 VDC supply)

Index.....Once per revolution.
0001 to 0474 CPR: Ungated
0475 to 4096 CPR: Gated to output A
See *Waveform Diagrams*.

Max Frequency200 kHz

Electrical Protection ..Reverse voltage and output short circuit protected. NOTE: Sustained reverse voltage may result in permanent damage.

Noise Immunity.....Tested to BS EN61000-4-2; IEC801-3; BS EN61000-4-4; DDENV 50141; DDENV 50204; BS EN55022 (with European compliance option); BS EN61000-6-2; BS EN50081-2

Quadrature.....67.5° electrical or better is typical,
Edge Separation 54° electrical minimum at temperatures > 99°C

Rise Time.....Less than 1 microsecond

Mechanical

Max Shaft Speed.....6000 RPM. Higher shaft speeds may be achievable, contact Customer Service.

Bore Tolerance +0.0015"/-0.000"

User Shaft Tolerances

Radial Runout0.005"

Axial Endplay.....+0.050"

Moment of Inertia ...3.3 x 10⁻³ oz-in-sec² typical

HousingType 316 Stainless Steel

Weight.....6 lb typical

Environmental

Storage Temp-25° to 100°C

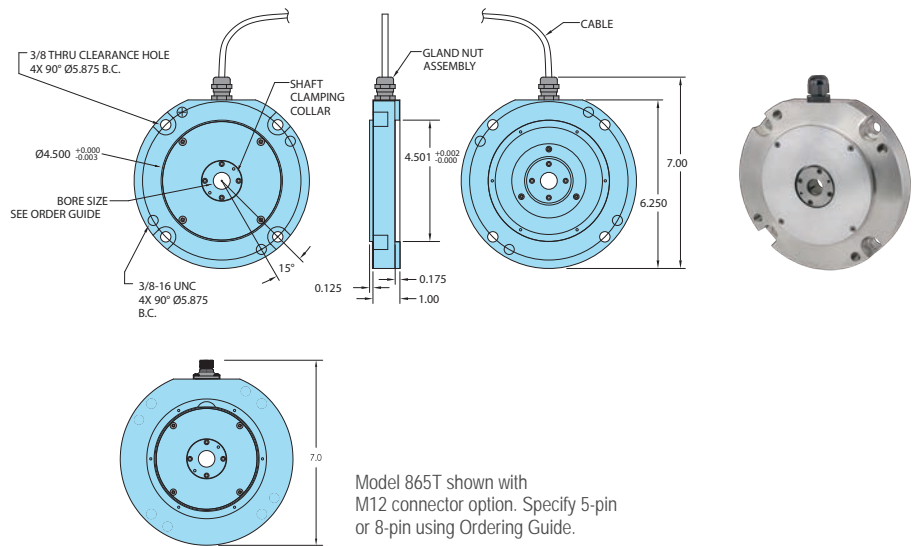
Humidity.....98% RH non-condensing

Vibration.....10 g @ 58 to 500 Hz

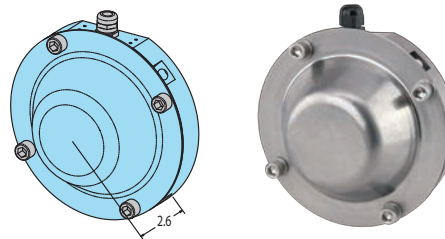
Shock.....50 g @ 11 ms duration

Sealing.....IP66 when mounted between two C-Face devices with supplied gasket kit, or with H1 cover. IP50 if not installed in either manner.

MODEL 865T CONNECTOR OPTIONS



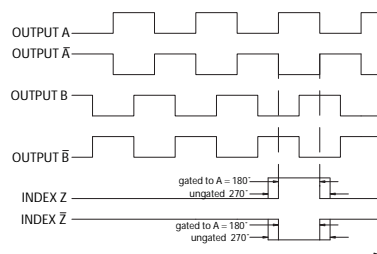
MODEL 865T OPTIONAL HOUSING COVER (H2)



All dimensions are in inches with a tolerance of ±0.005" or ±0.01" unless otherwise specified.

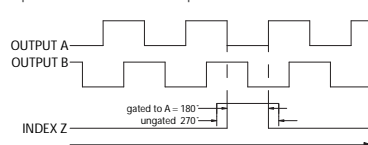
WAVEFORM DIAGRAMS

Line Driver and Push-Pull



CLOCKWISE ROTATION AS VIEWED FROM THE MOUNTING FACE
NOTE: ALL DEGREE REFERENCES ARE ELECTRICAL DEGREES. WAVEFORM SHOWN WITH OPTIONAL COMPLEMENTARY SIGNALS A', B', Z' FOR HV OUTPUT ONLY.

Open Collector and Pull-Up



CLOCKWISE ROTATION AS VIEWED FROM THE MOUNTING FACE
NOTE: ALL DEGREE REFERENCES ARE ELECTRICAL DEGREES
INDEX IS POSITIVE GOINGS

WIRING TABLE

For EPC-supplied mating cables, refer to wiring table provided with cable.

Trim back and insulate unused wires.

Function	Gland Cable [†] Wire Color	5-pin M12* PU, PP, OC	8-pin M12*
Com	Black	3	7
+VDC	Red	1	2
A	White	4	1
A'	Brown	--	3
B	Blue	2	4
B'	Violet	--	5
Z	Orange	5	6
Z'	Yellow	--	8
Shield	Bare	--	--

*CE Option: Use cable cordset with shield connected to M12 connector coupling nut.

[†]Standard cable is 24 AWG conductors with foil and braid shield.