

CHARACTERISTICS

Ambient temperature	Max +50 °C						
Fluid	50 µm filtered air, with or without lubrication - vacuum						
Commutation system	poppet						
Max vacuum	759,5 mm Hg						
Connections	G1/8	G1/4	G3/8	G1/2	G3/4	G1	G1 1/2
Nominal bore (mm)	5,5	8	10	15	19	25	39
Valve body	zamak (G1/8 ÷ G1), aluminium (G1 1/2)						
Seals	polyurethane conical poppets and Vulkollan diaphragm ^(a) ; silicon poppets ^(b)						
Spool	aluminium (G1/8 ÷ G3/8), steel + plastic (G1/2 ÷ G1 1/2)						
	G1/8 ÷ G3/8			G1/4 ÷ G1 1/2			
Electropilot	U1			U2			
Coil	DA			DB			
Power consumption	3,5 W (DC) - 5 VA (AC)			11 W (DC) - 10 VA (AC)			
Connector	AM-5110			AM-5111			
Voltage	12 V DC - 24 V DC - 24 V AC - 110 V AC - 230 V AC						
Manual override	impulse screw - 2 positions						



(a) = valve for vacuum with external air operation
 (b) = valve for direct vacuum with external vacuum operation

3/3 Solenoid valve for vacuum with external pilot air supply G1/8 ÷ G3/8

		3/2 NC AG-3001 G1/8			3/2 NC AG-3009 G1/4 AG-3011 G3/8
		3/2 NO AG-3002 G1/8			3/2 NO AG-3010 G1/4 AG-3012 G3/8

3/2 Solenoid valve for vacuum with external pilot air supply G1/2 ÷ G1 1/2

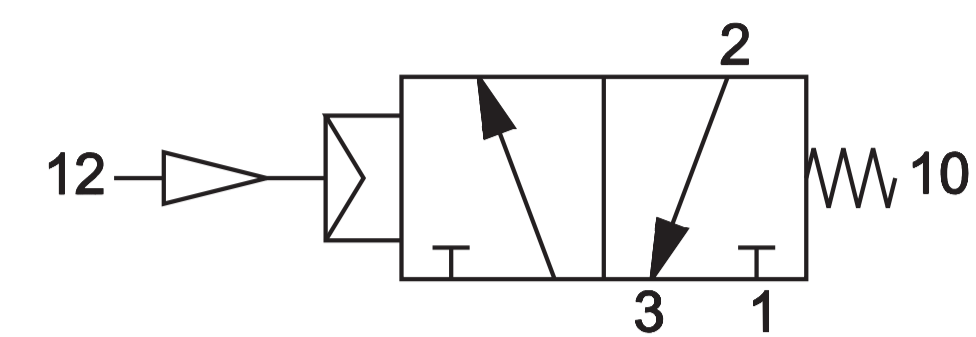
		3/2 NC AG-3020 G1/2 AG-3040 G3/4 AG-3050 G1			3/2 NC AG-3062 G1 1/2
		3/2 NO AG-3021 G1/2 AG-3041 G3/4 AG-3051 G1			3/2 NO AG-3063 G1 1/2

3/2 Pneumatic valve for vacuum with external air operation G1/8 ÷ G3/8

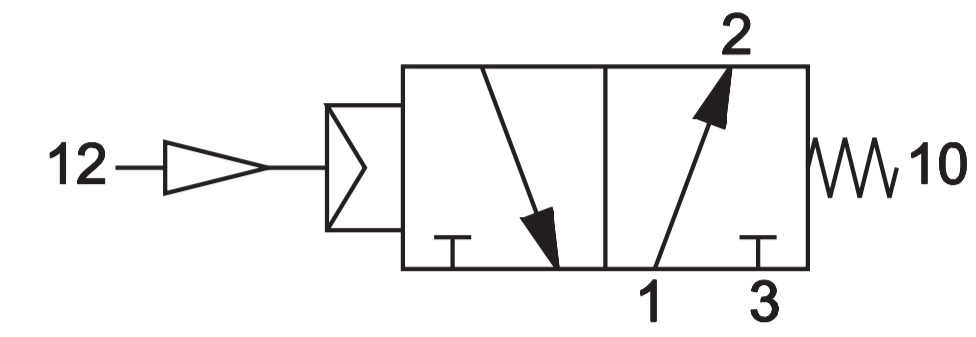
		3/2 NC AG-3071 G1/8			3/2 NC AG-3073 G1/4 AG-3075 G3/8
		3/2 NO AG-3072 G1/8			3/2 NO AG-3074 G1/4 AG-3076 G3/8

2/2 NC-NO version available upon request
 Solenoid valves are supplied without coil/connector/locking nut

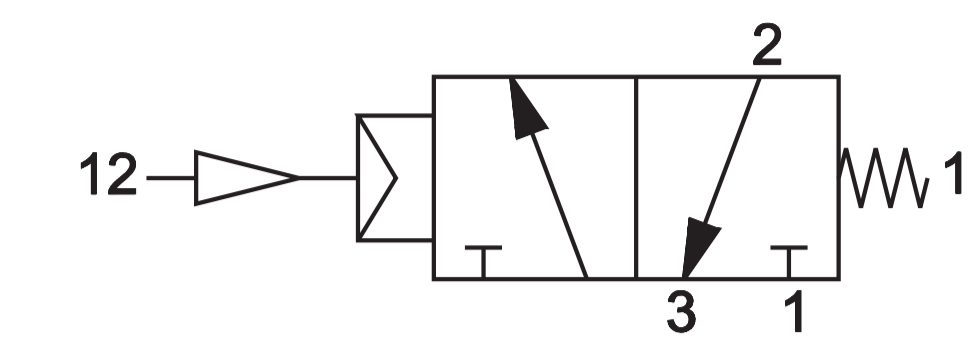
3/2 Pneumatic valve for vacuum with external air operation G1/2 ÷ G1 1/2



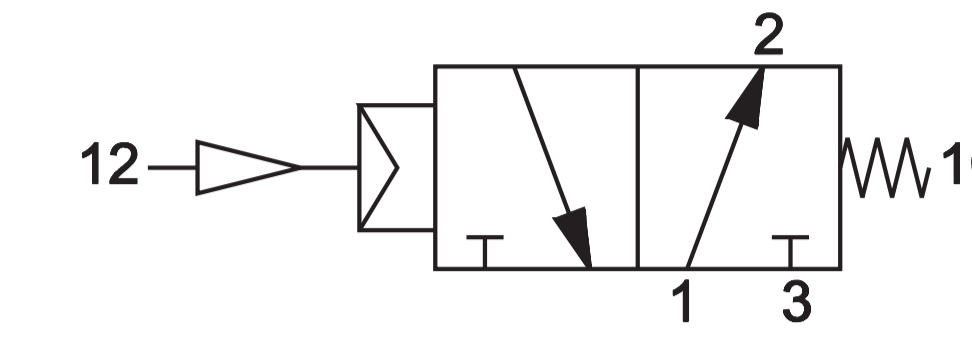
3/2 NC
AG-3081 G1/2
AG-3091 G3/4
AG-3100 G1



3/2 NO
AG-3082 G1/2
AG-3092 G3/4
AG-3101 G1

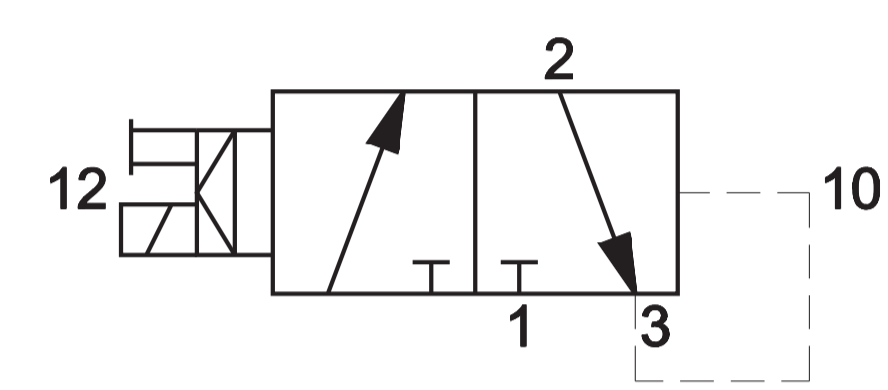


3/2 NC
AG-3110 G1 1/2

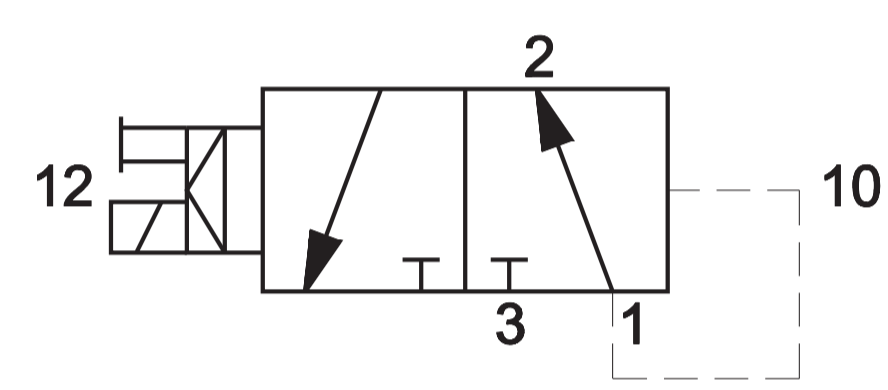


3/2 NO
AG-3111 G1 1/2

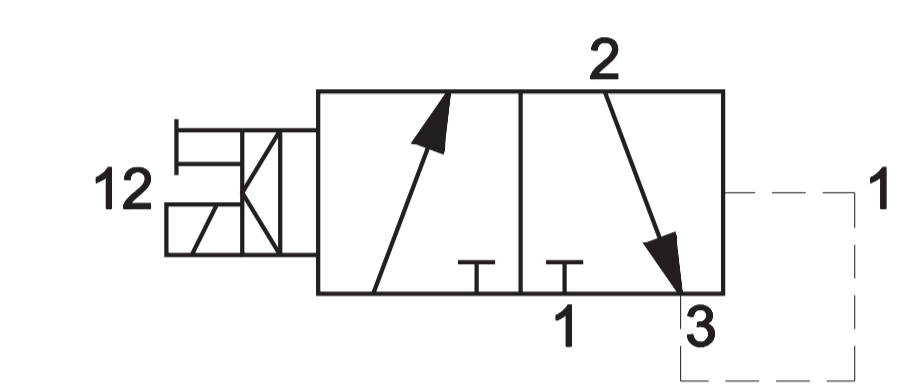
3/2 Solenoid valve for direct vacuum with external pilot vacuum supply G1/4 ÷ G1 1/2



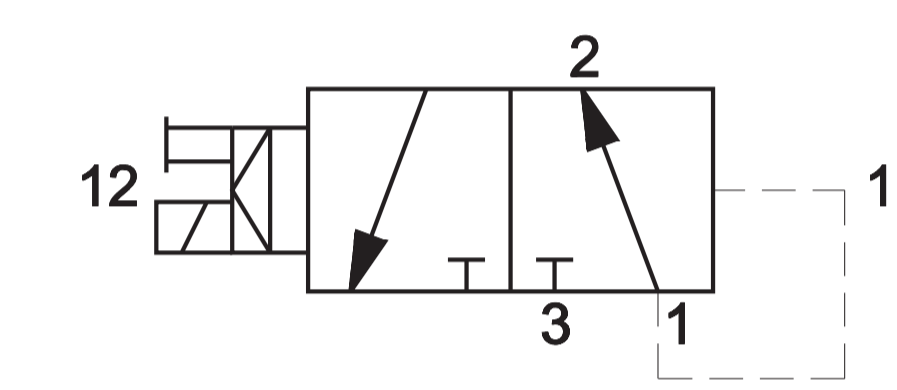
3/2 NC
AG-3210 G1/4
AG-3214 G3/8



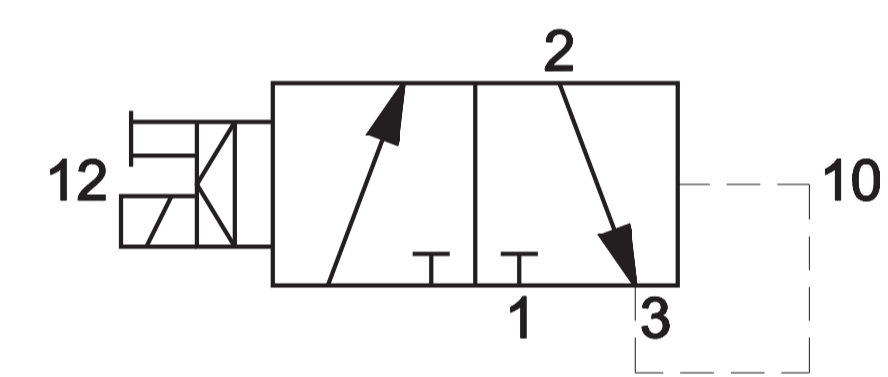
3/2 NO
AG-3211 G1/4
AG-3215 G3/8



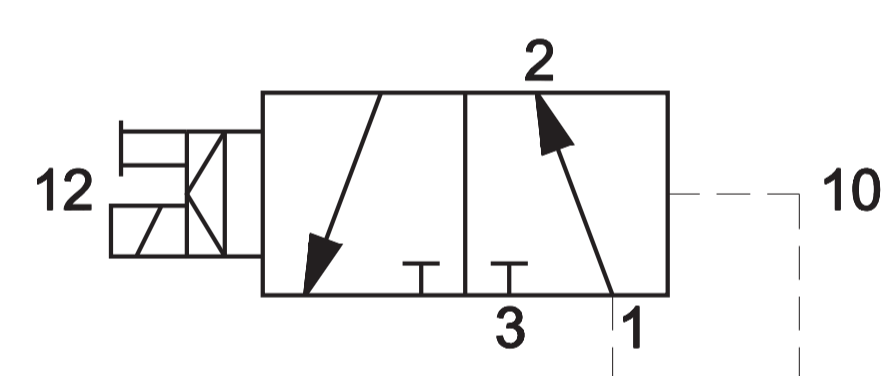
3/2 NC
AG-3222 G1/2
AG-3232 G3/4
AG-3242 G1



3/2 NO
AG-3223 G1/2
AG-3233 G3/4
AG-3243 G1

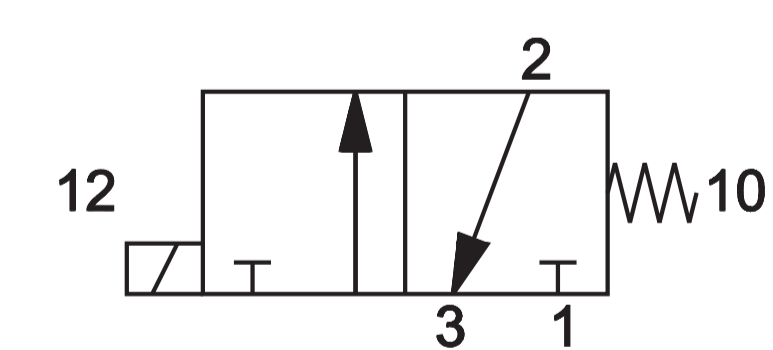


3/2 NC
AG-3256 G1 1/2

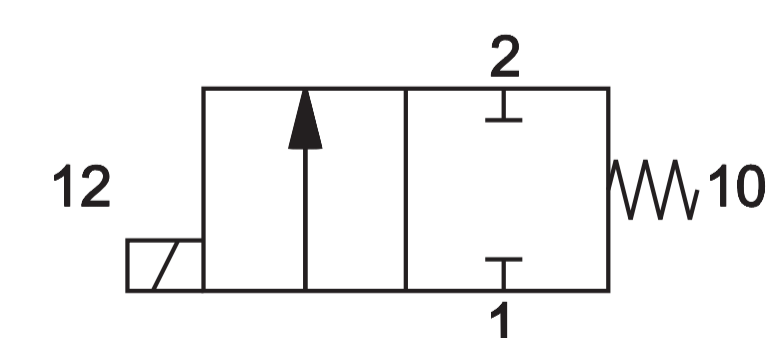


3/2 NO
AG-3257 G1 1/2

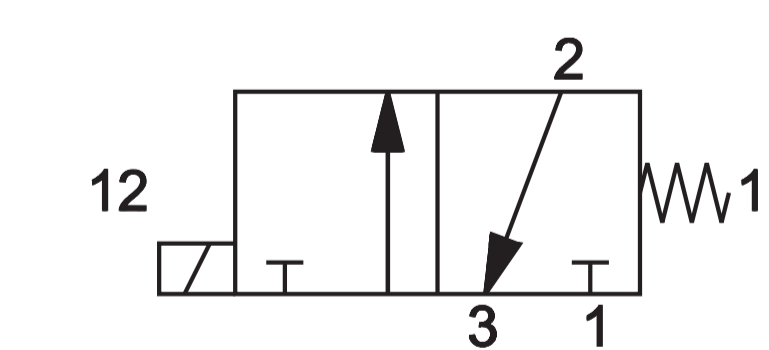
2/2 - 3/2 Solenoid valve for vacuum with direct operation G1/4 - G1/2



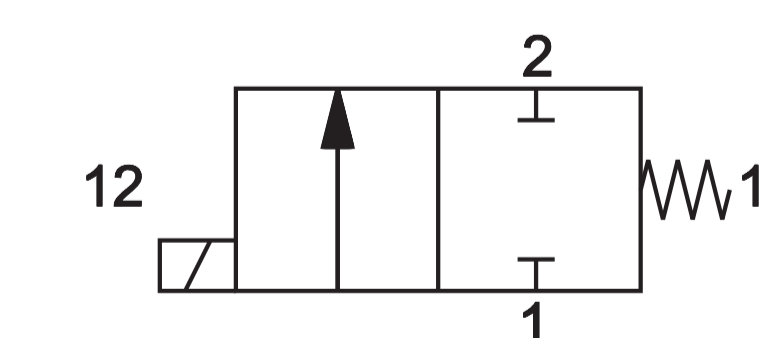
3/2 NC
AG-3310 G1/4
AG-3311 G1/4
AG-3312 G1/4
AG-3313 G1/4



2/2 NC
AG-3300 G1/4
AG-3301 G1/4
AG-3302 G1/4
AG-3303 G1/4



3/2 NC
AG-3330 G1/2
AG-3331 G1/2
AG-3332 G1/2



2/2 NC
AG-3320 G1/2
AG-3321 G1/2
AG-3322 G1/2

■ U2 - 17 VA coil



DB-0607 24V AC - 50/60 Hz
DB-0608 110V AC - 50/60 Hz
DB-0610 220V AC - 50/60 Hz

Solenoid valves are supplied without coil/connector/locking nut