

CHARACTERISTICS

Ambient temperature	-20 ÷ 80 °C
Fluid	filtered air, with or without lubrication
Working pressure	1,5 ÷ 10 bar

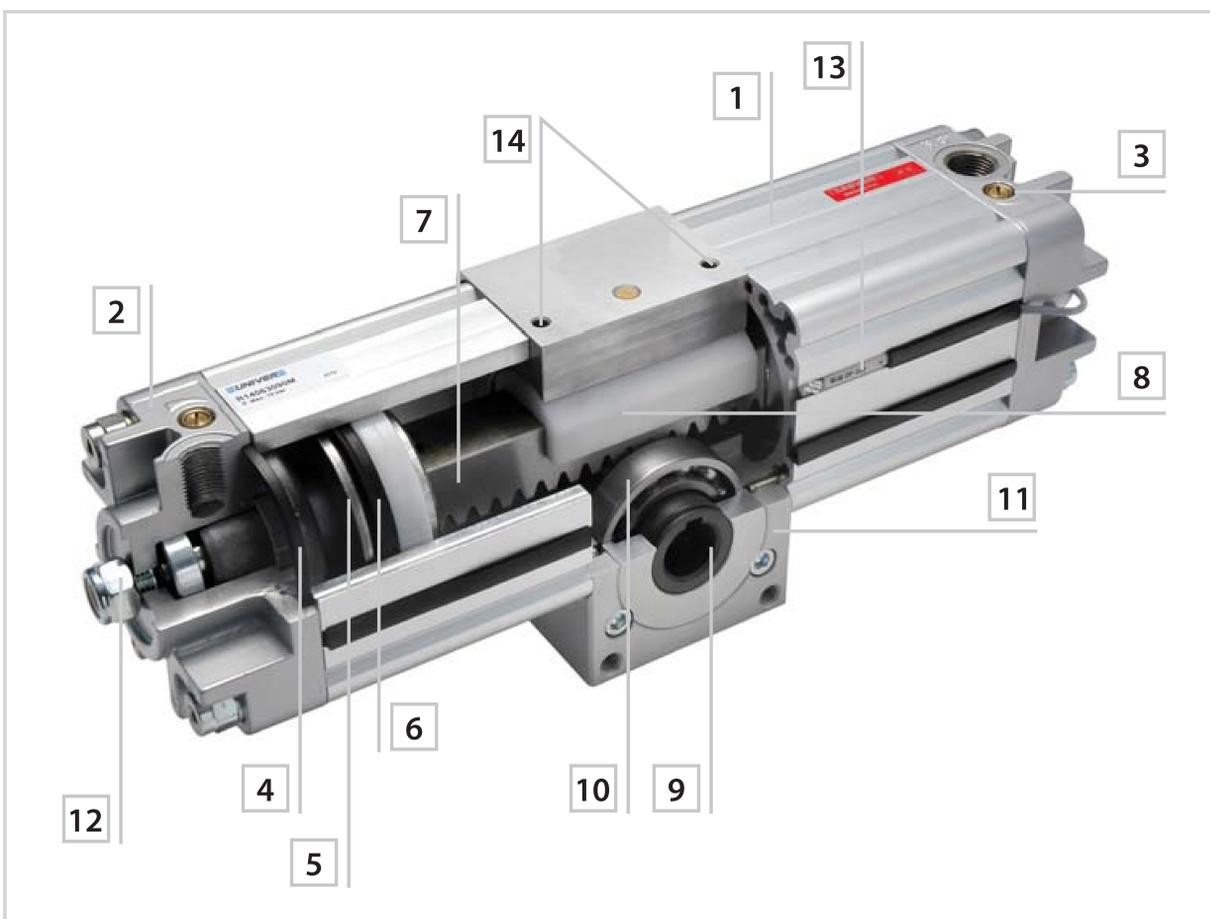
End-caps	aluminium
Barrel	aluminium
Piston	die-cast aluminium
Guide slide	acetalic resin
Rack	stainless steel
Piston seal	NBR
Pinion	nitrided steel
Shock absorber seals	NBR
Cushionings	pneumatic adjustable (standard supplied)



CODIFICATION KEY

R	1	1	0	3	2	1	8	0	
1	2	3	4	5					

1 Series	2 Type	3 Bore (mm)	4 Angle of rotation	5 Magnetic
R = Ø 32÷125 mm Pneumatic rotary actuators	11 = Male pinion without adjustment (degree of accuracy ± 3°) 12 = Male pinion with adjustment ± 5° 13 = Female pinion without adjustment (degree of accuracy ± 3°) 14 = Female pinion with adjustment ± 5°	032 = Ø32 040 = Ø40 050 = Ø50 063 = Ø63 080 = Ø80 100 = Ø100 125 = Ø125	090 = 90° 180 = 180° 270 = 270° 360 = 360°	M = Magnetic version



- | | |
|--|---|
| 1. Cylinder barrel: extruded profile in aluminium alloy | 8. Guide slide for rack with self-adjusting backlash recovery |
| 2. Die-cast end-caps in aluminium alloy | 9. Nitrided steel pinion |
| 3. Pneumatic adjustable cushionings | 10. Ball bearings for pinion support |
| 4. Shock absorber seals | 11. Anodized aluminium central body |
| 5. Die-cast piston in aluminium alloy and acetalic resin guide slide | 12. Adjustment screws: angle of rotation ±2,5° |
| 6. Piston seals in nitrile rubber compound | 13. DF series magnetic sensor |
| 7. Standards-based steel square rack | 14. Screws for backlash recovery |

ACCESSORIES

Ø	DF sensor and DHF covering strip	Cable clamping for DF sensor
32 40 50 63 80 100 125	DF DHF-0020100	DF-001