

CHARACTERISTICS

Ambient temperature	-5 ÷ +50 °C
Fluid	50 µm filtered air, with or without lubrication
Commutation system	spool
Pressure	1,5 ÷ 9 bar
Connections	sub-base interface
Nominal bore (mm)	5
Nominal flow rate (NI/min)	140 ÷ 740 (depending on the type of fittings)
Valve body	zamak
Seals	NBR
Spool	aluminium
Electropilot/Coil	A series/U05 - B series/U04
Voltage	24 V DC - 12 V DC - 24 V AC - 110 V AC - 230 V AC (only version with external connection)
Power consumption	U05 = 2 W (DC) 2,3 VA (AC) U04 = 1,2 W (DC)
Manual override	recessed button - 1 position



CODIFICATION KEY

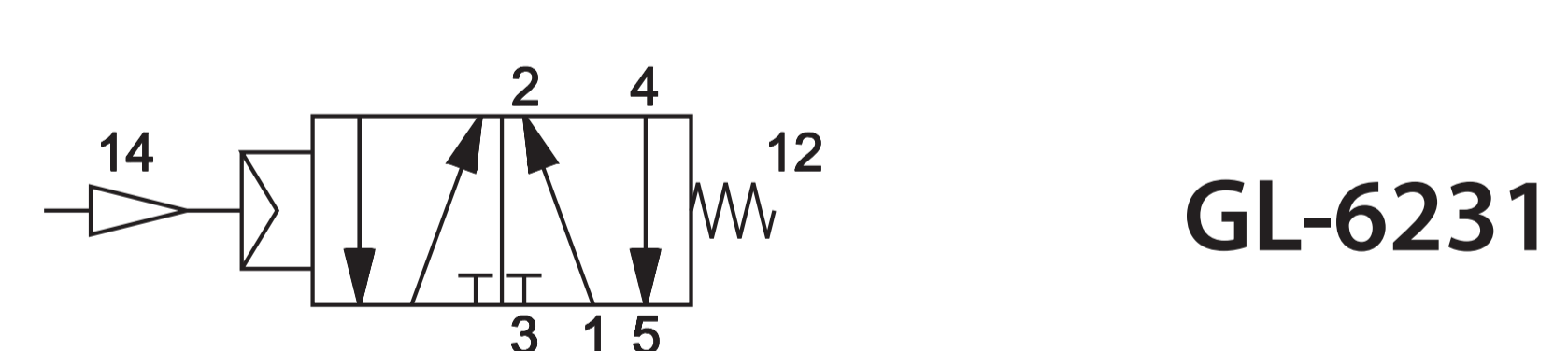
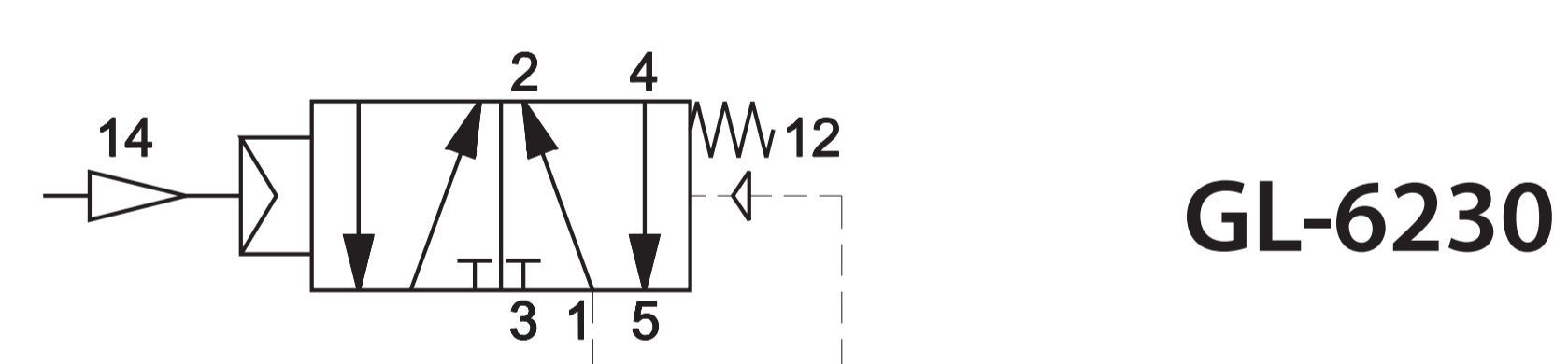
G	L	-	6	6	4	4	
1	2	3	4	5			

1 Series	2 Type	3 Control 14	4 Return 12	5 Option
GL-6 = 20 mm - Valves and Solenoid Valves for sub-base mounting	2 = 5/2 3 = 5/3 c.c. 4 = 5/3 o.c. 5 = 5/3 p.c. 6 = 3/2+3/2 NC-NC 7 = 3/2+3/2 NC-NO 8 = 3/2+3/2 NO-NO	3 = Pneumatic amplified 4 = Electrical amplified DC 5 = Electrical amplified DC/AC 6 = Electrical amplified DC B series 10 mm electropilot	0 = Pneumomechanical spring 1 = Mechanical spring 3 = Pneumatic amplified 4 = Electrical amplified DC 5 = Electrical amplified DC/AC 6 = Electrical amplified DC B series 10 mm electropilot	D = External pilot supply

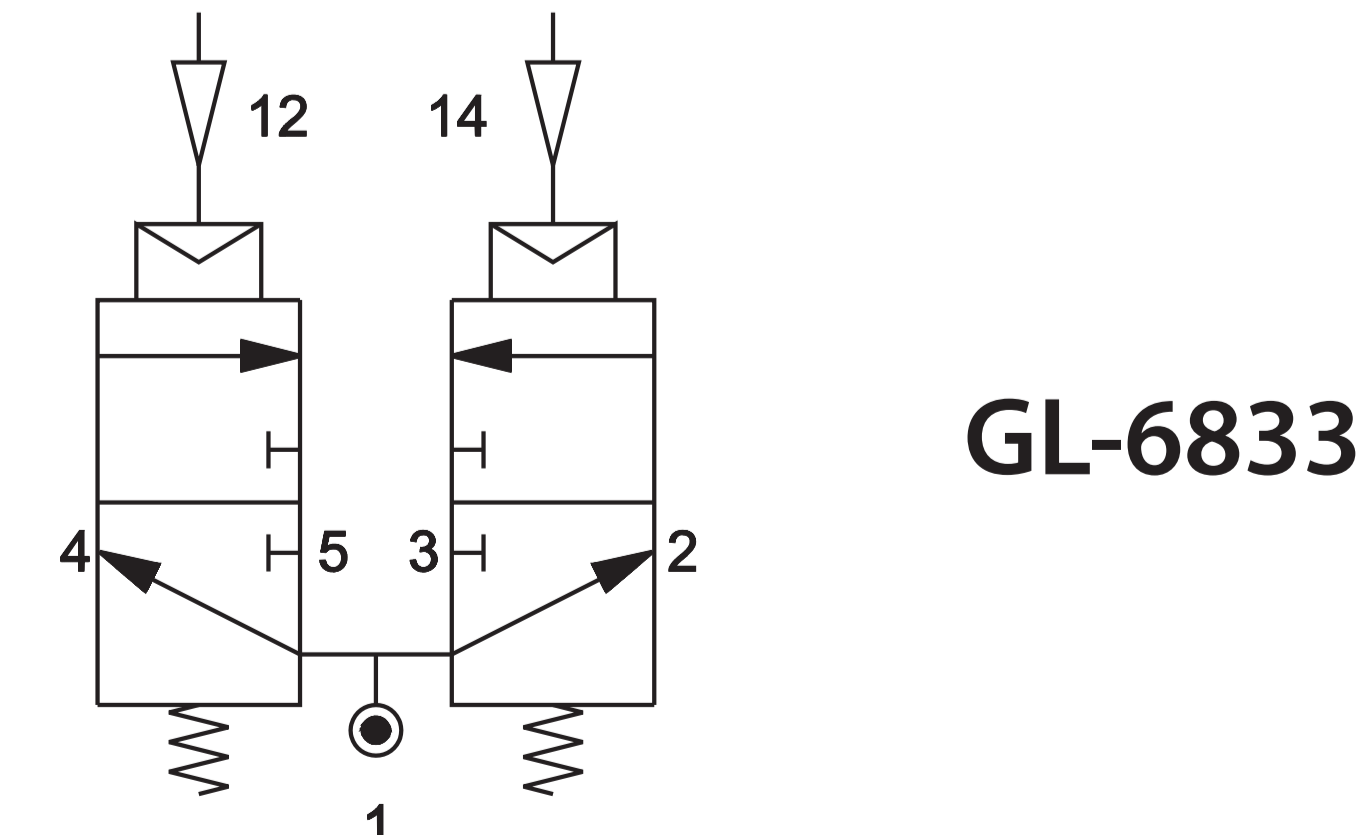
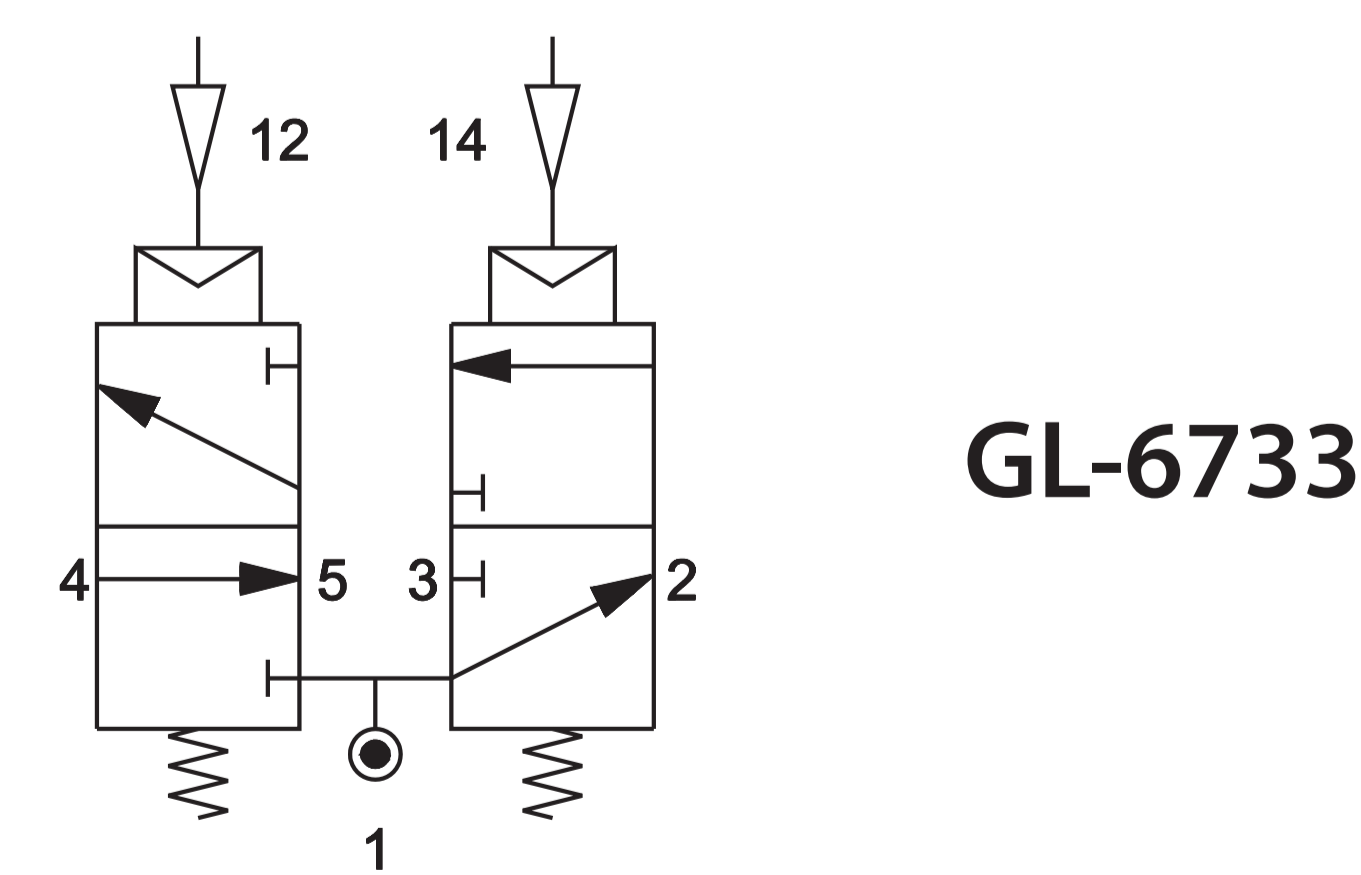
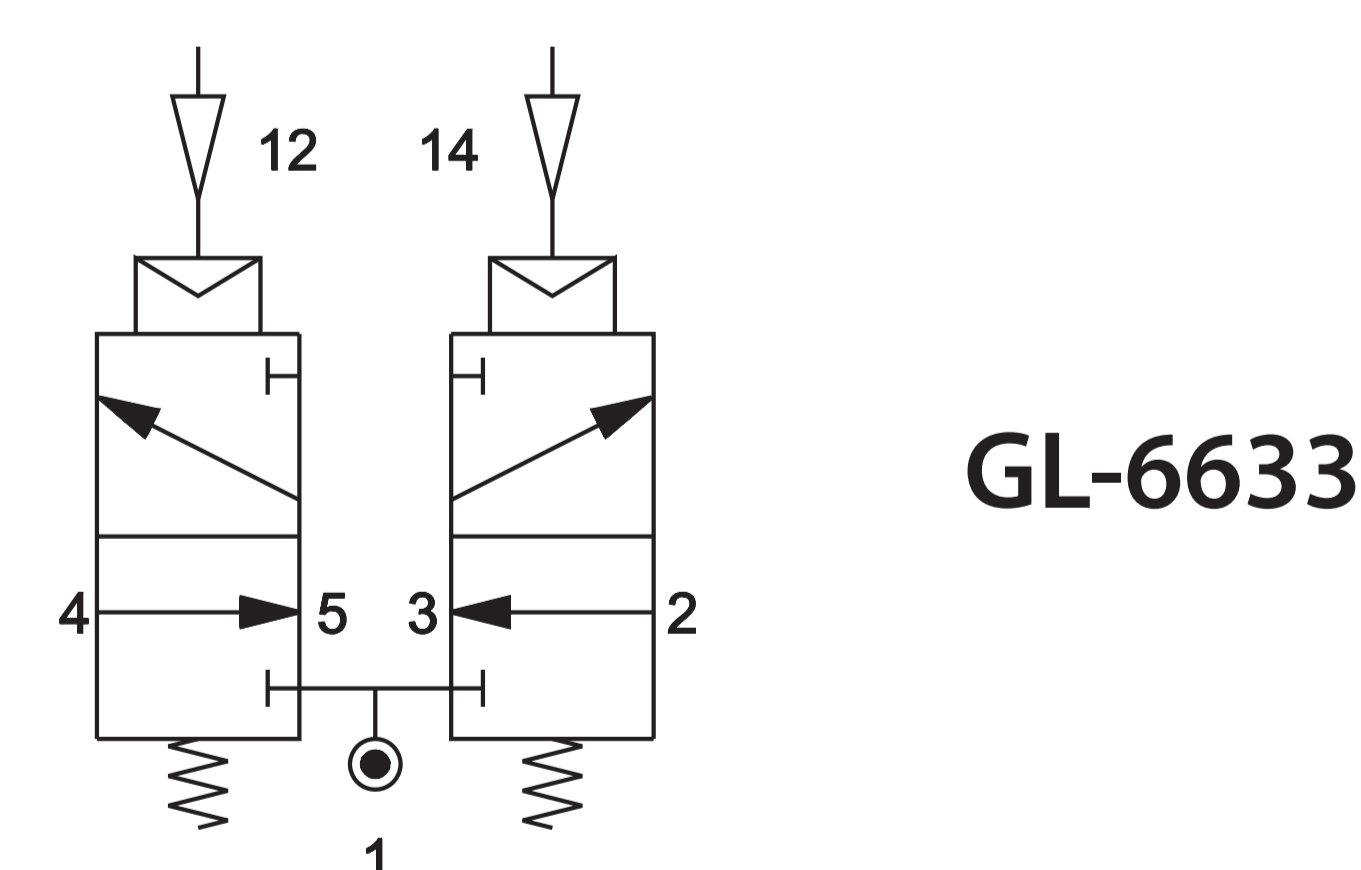
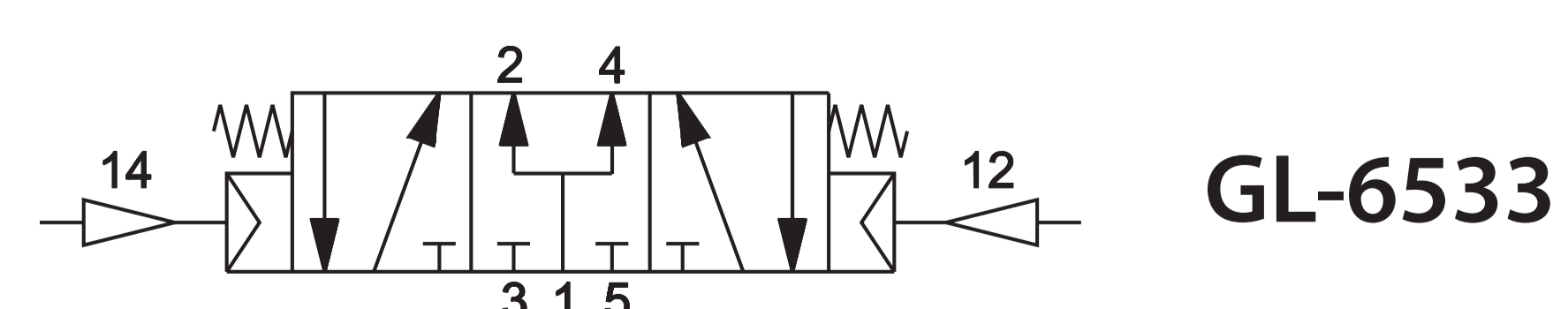
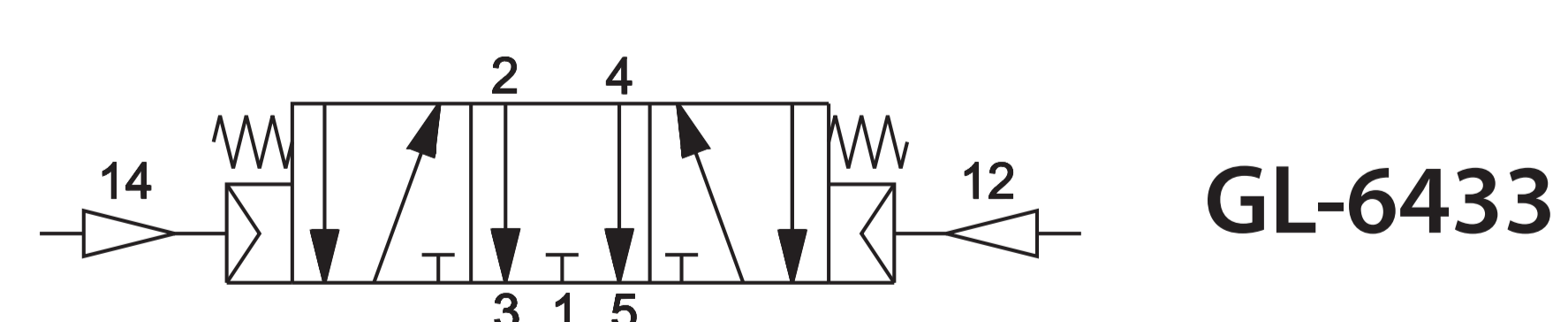
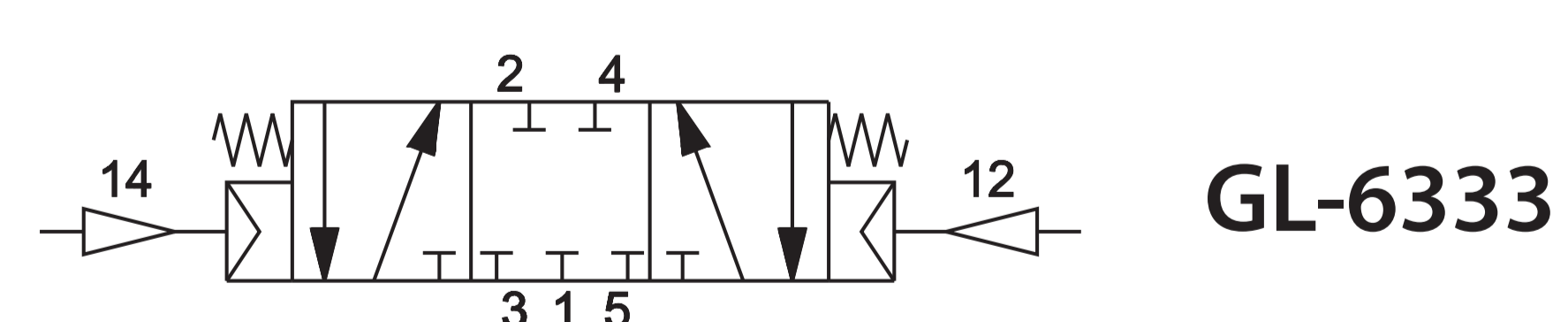
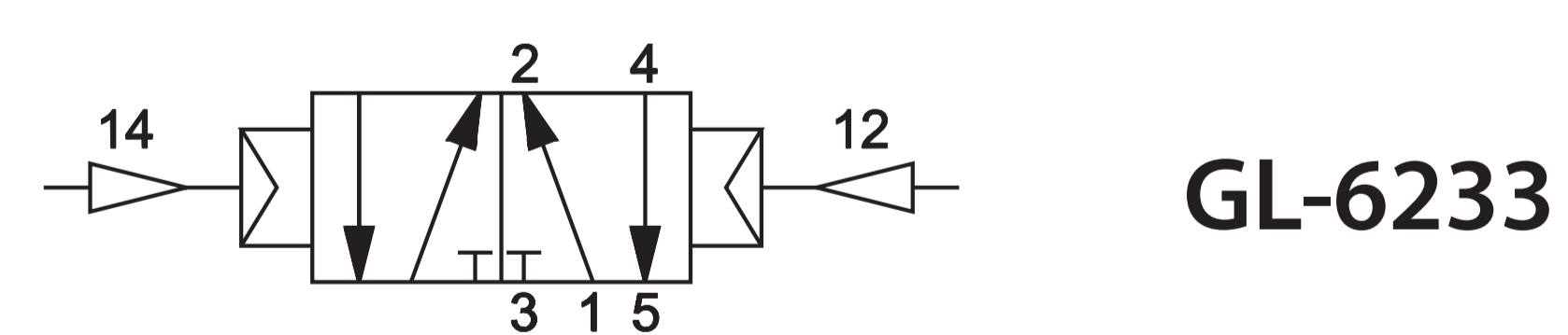
c.c. = closed centres o.c. = open centres p.c. = pressurized centres

Pneumatic impulse

Single impulse



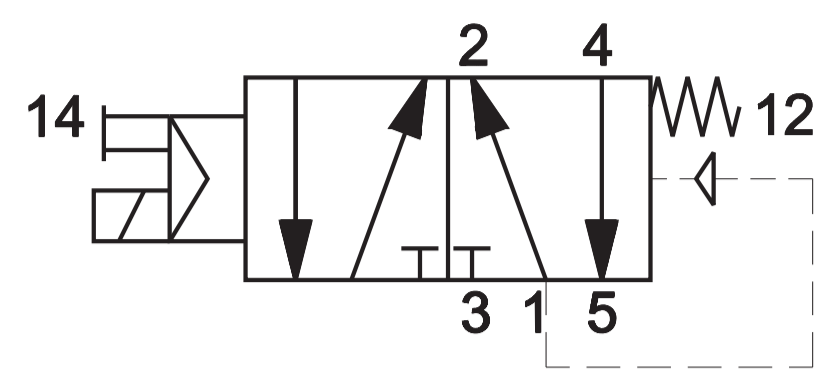
Double impulse



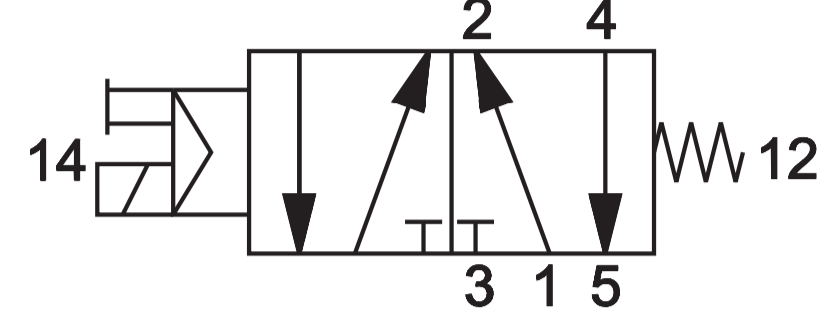
Solenoid valves are supplied without coil and connector

Electrical impulse - A series 15 mm Electropilot

Single impulse



GL-6240 DC
GL-6250 AC/DC



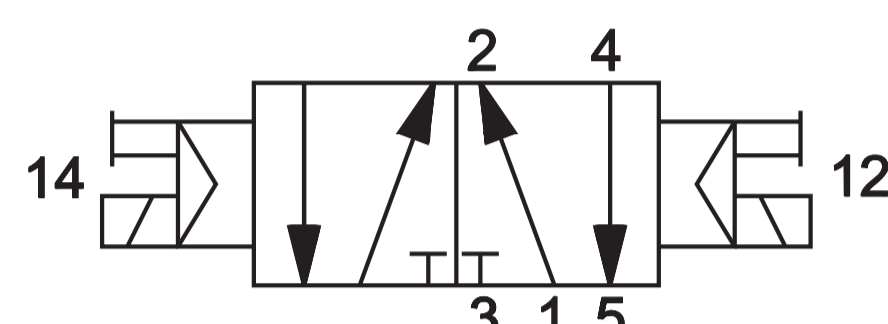
GL-6241 DC
GL-6251 AC/DC



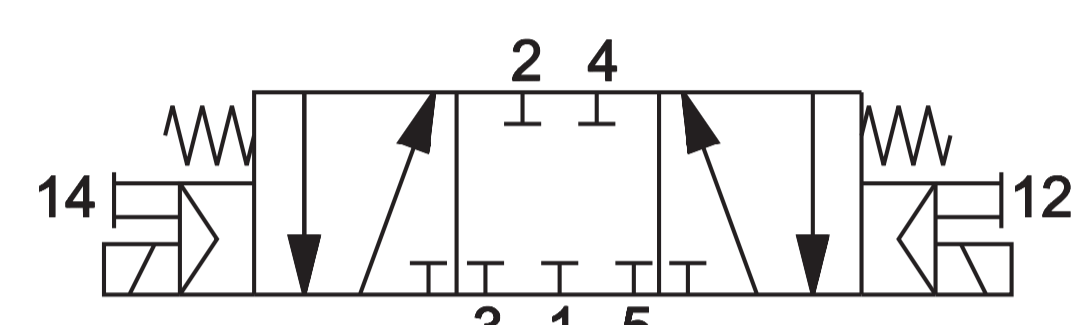
Coil with intergrated connector
for multipolar version
DD-051-2C 24 V DC
DD-040-2C 24 V AC

Single/double impulse

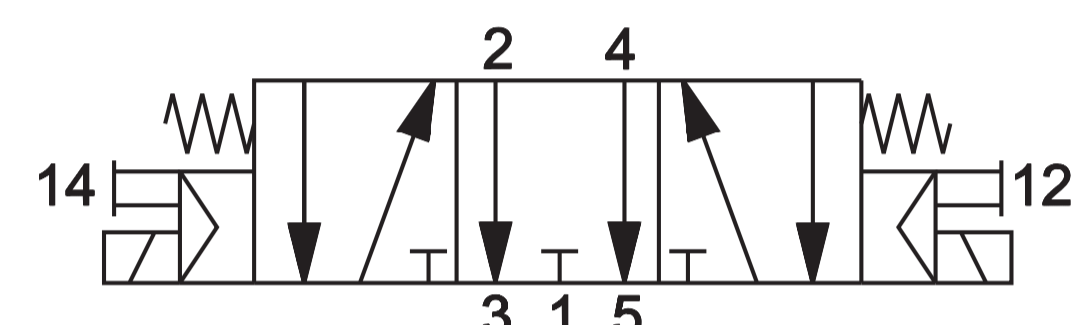
Double impulse



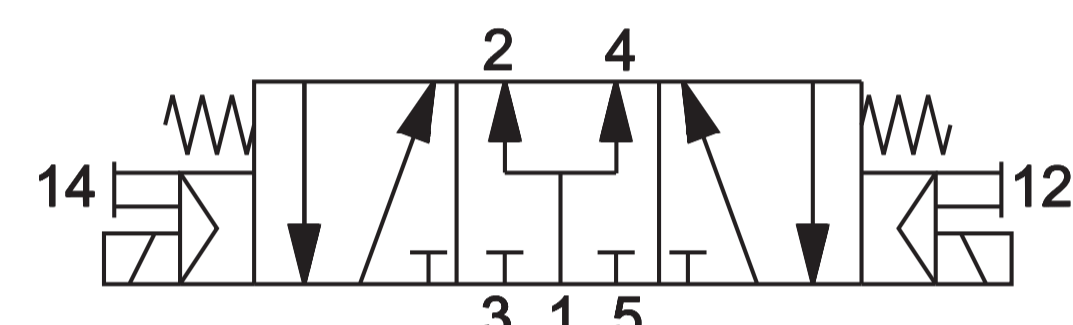
GL-6244 DC
GL-6255 AC/DC



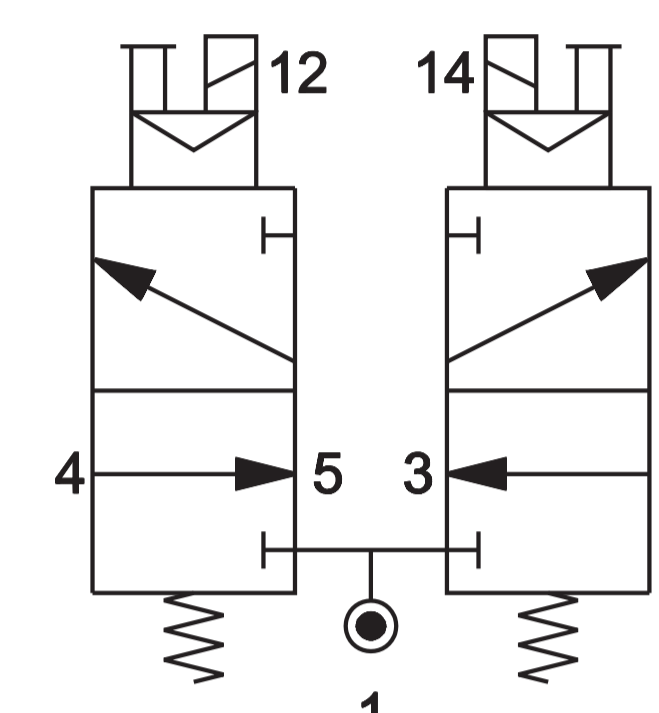
GL-6344 DC
GL-6355 AC/DC



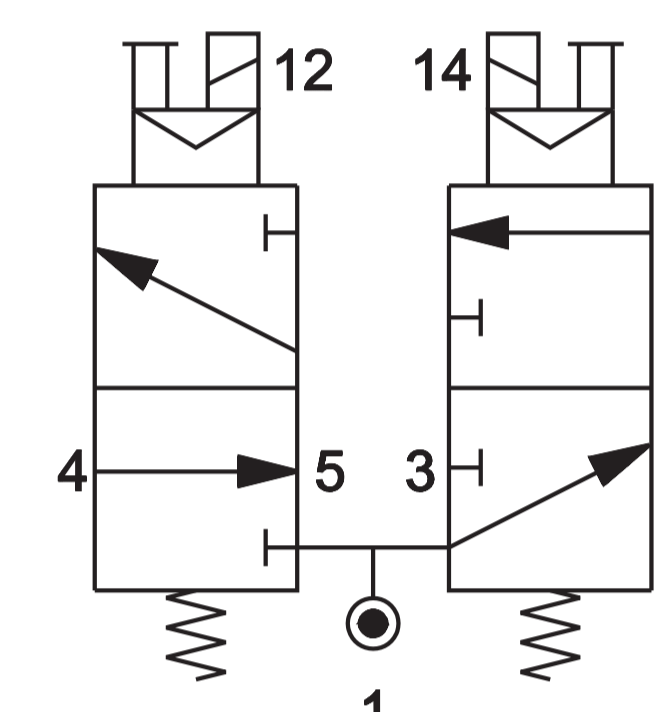
GL-6444 DC
GL-6455 AC/DC



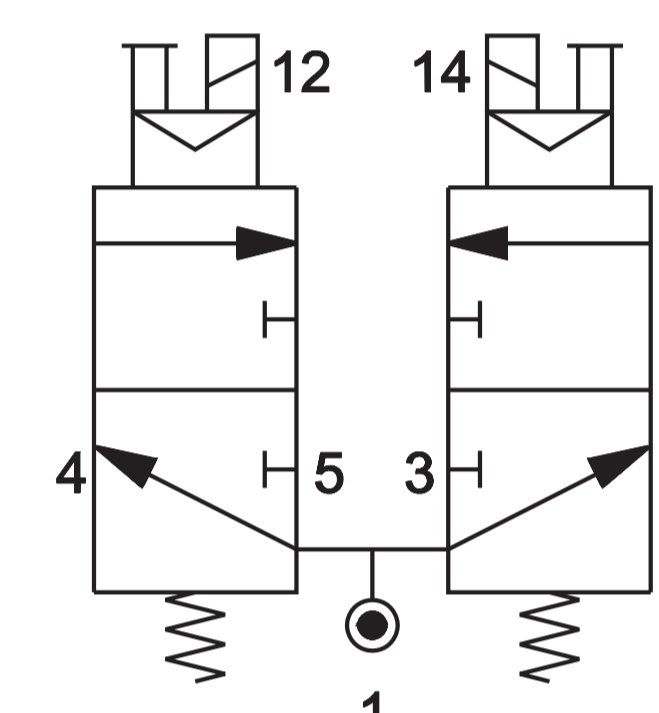
GL-6544 DC
GL-6555 AC/DC



GL-6644 DC
GL-6655 AC/DC



GL-6744 DC
GL-6755 AC/DC



GL-6844 DC
GL-6855 AC/DC

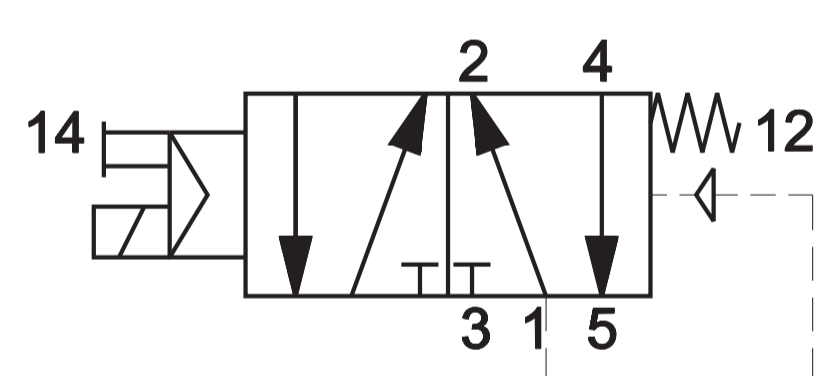


DIN C (8 mm)

For further information please
contact our Sales Office

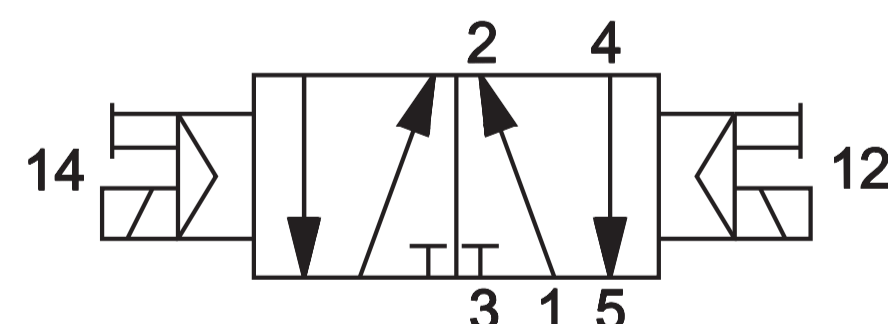
Electrical impulse - B series 10 mm Electropilot

Single impulse

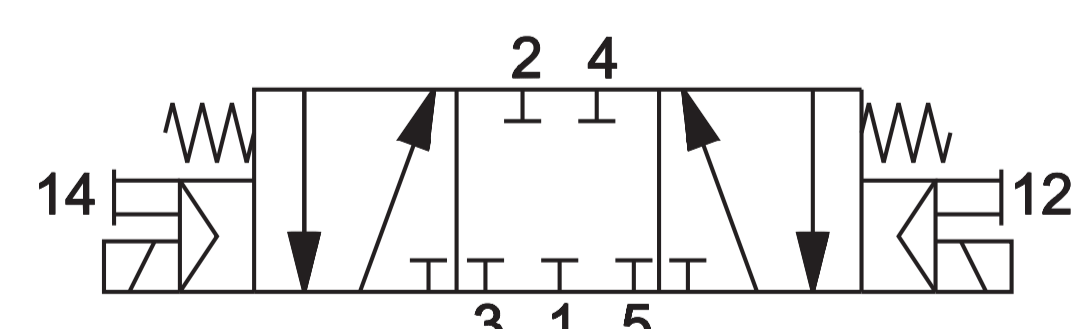


GL-6260
GL-6261

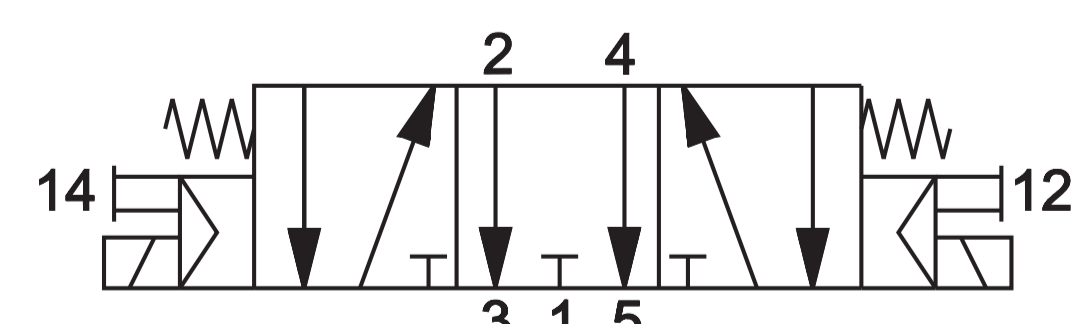
Double impulse



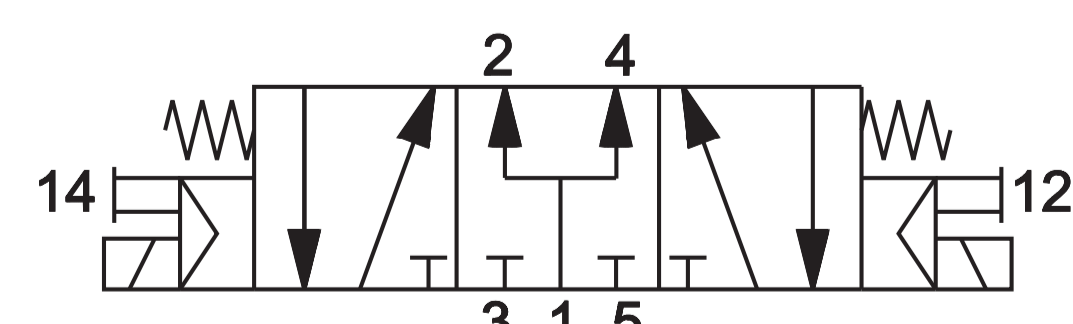
GL-6266



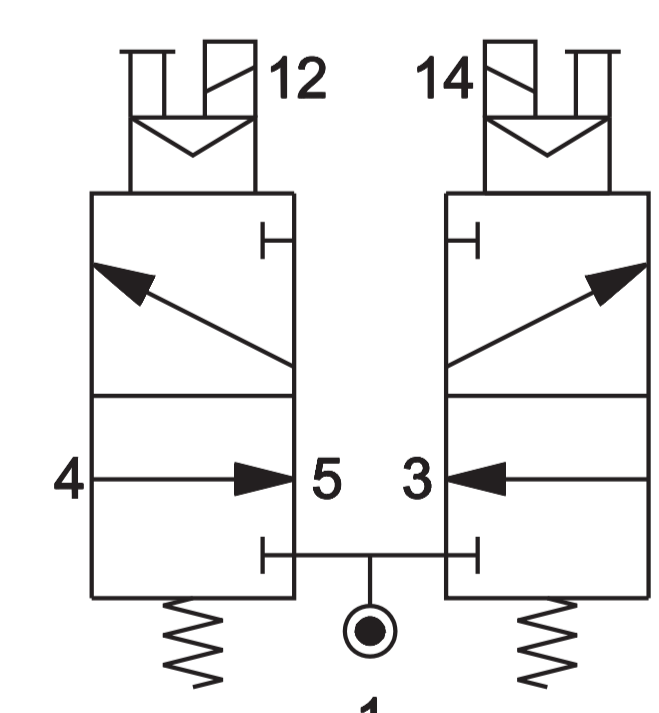
GL-6366



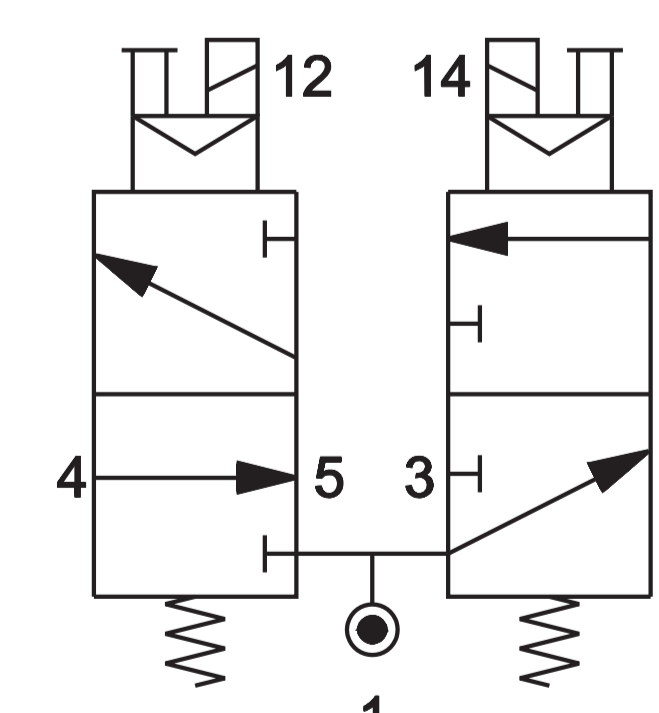
GL-6466



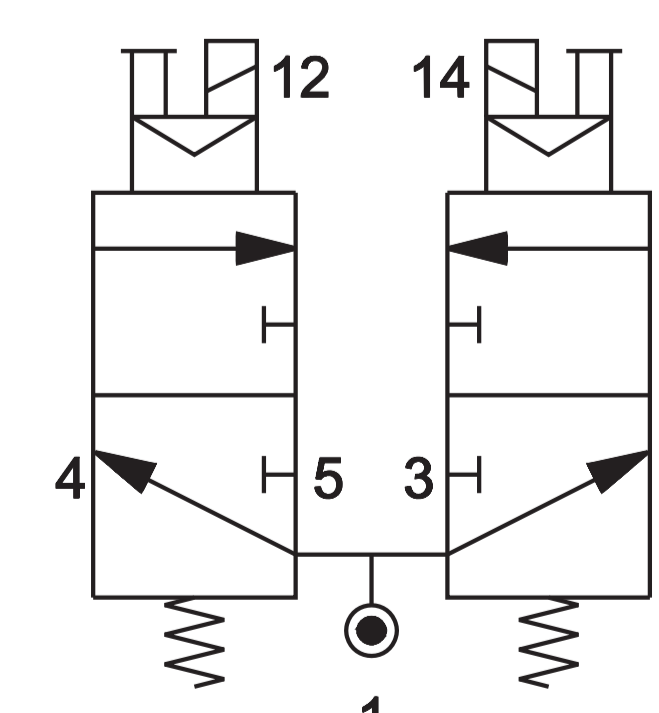
GL-6566



GL-6666



GL-6766



GL-6866

Solenoid valves are supplied without coil and connector

Electrical sub-base

■ Multipolar connection

■ External connection

■ Connector with loose cables



GP-6100

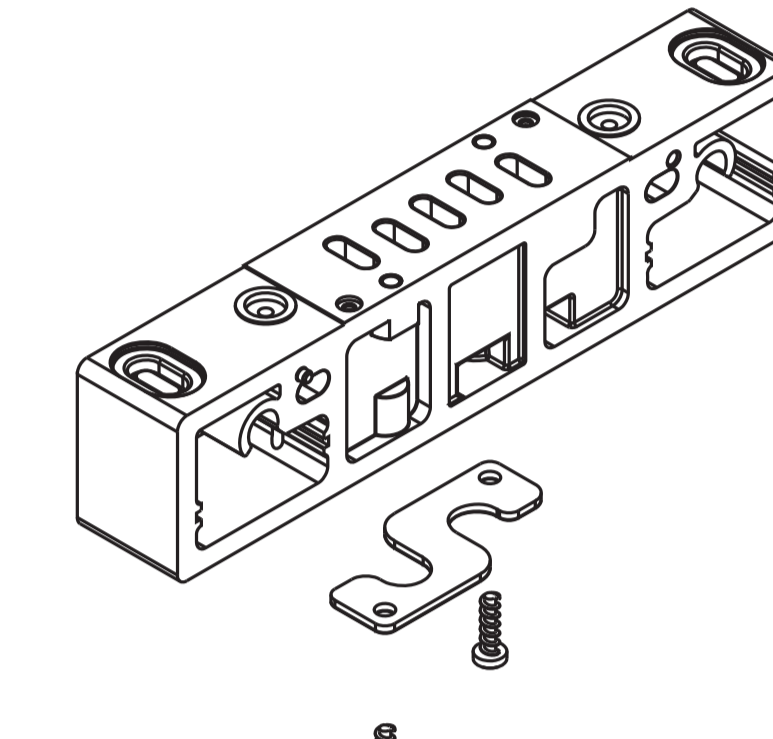
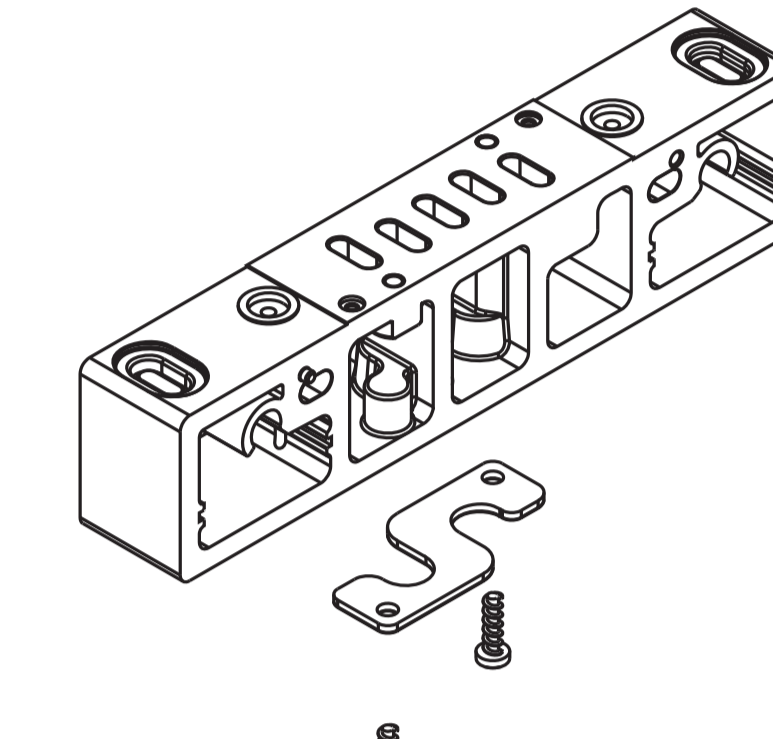
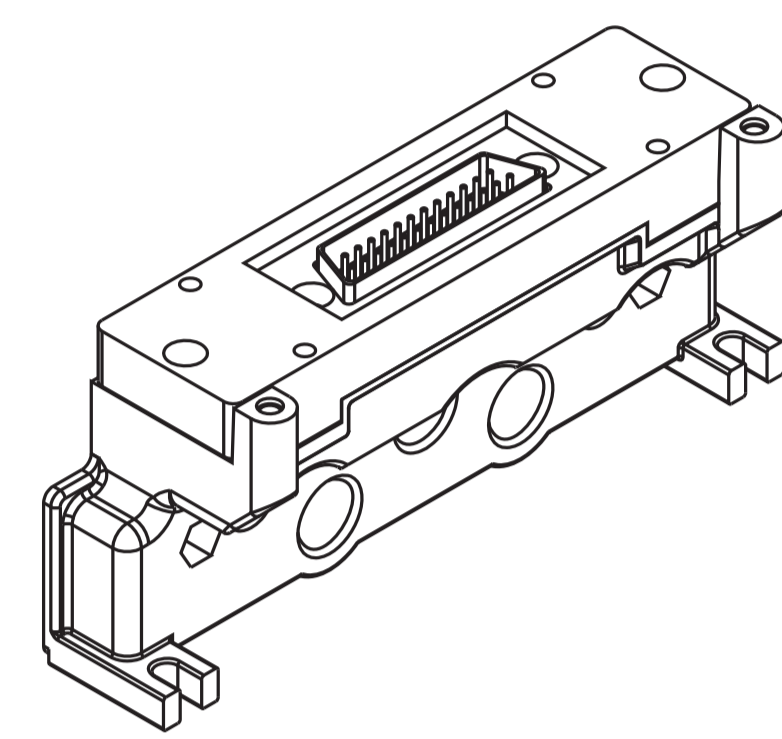
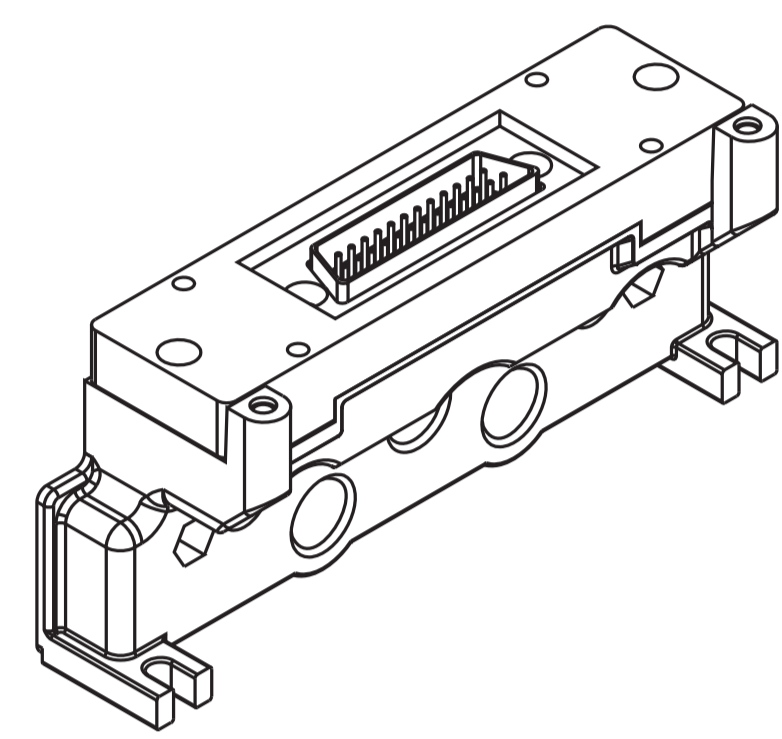
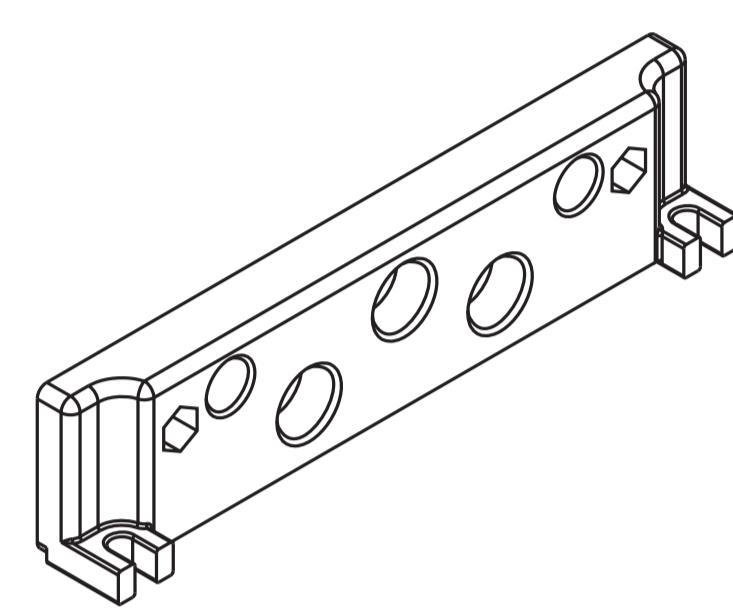
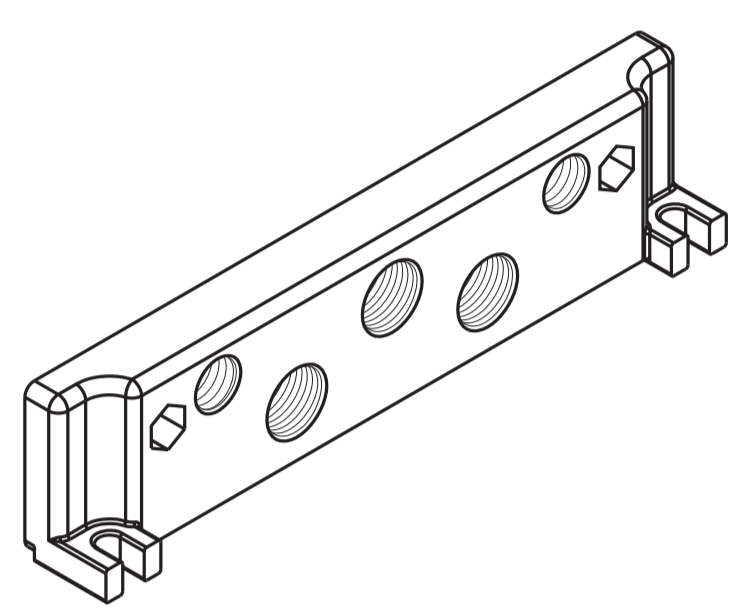
GP-6110

GP-611212

GP-611806

GP-6210/1/2

GP-6220/1/2



threaded end plate

blank end plate

threaded end plate with male connector
25 poles
12+12 coils control 12-14

threaded end plate with male connector
25 poles
18 coils control 14
6 coils control 12

sub-base with open diaphragms
GP-6210 without electrical connection
GP-6211 monostable
GP-6212 bistable

sub-base with closed diaphragms
GP-6220 without electrical connection
GP-6221 monostable
GP-6222 bistable

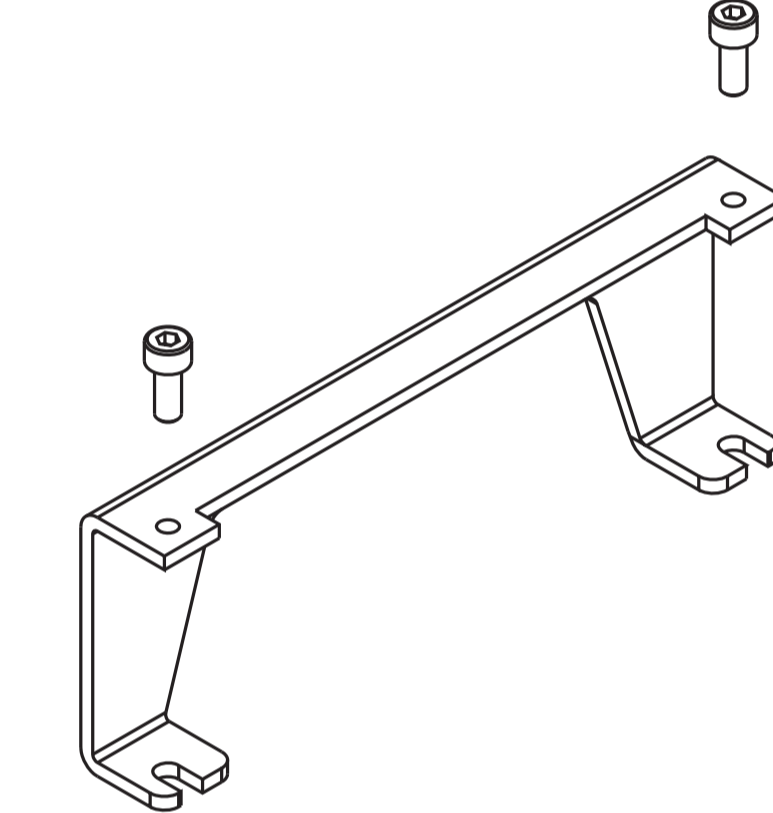
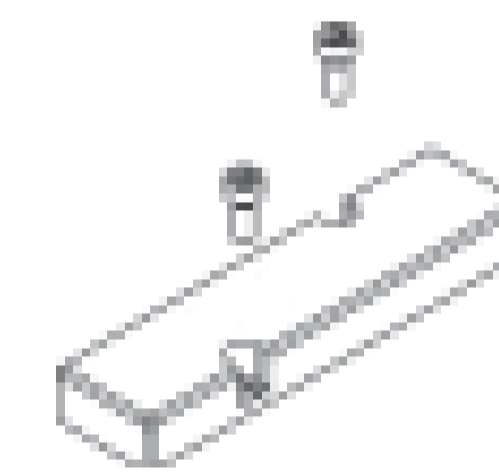
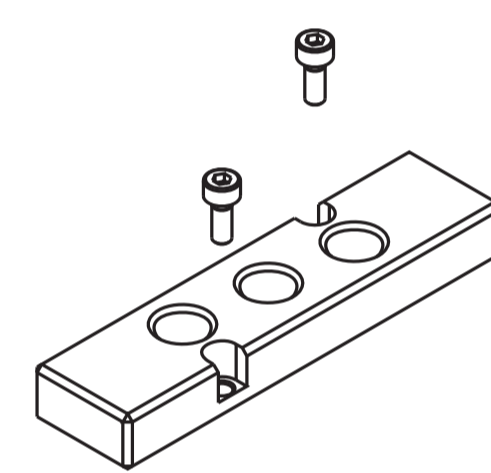
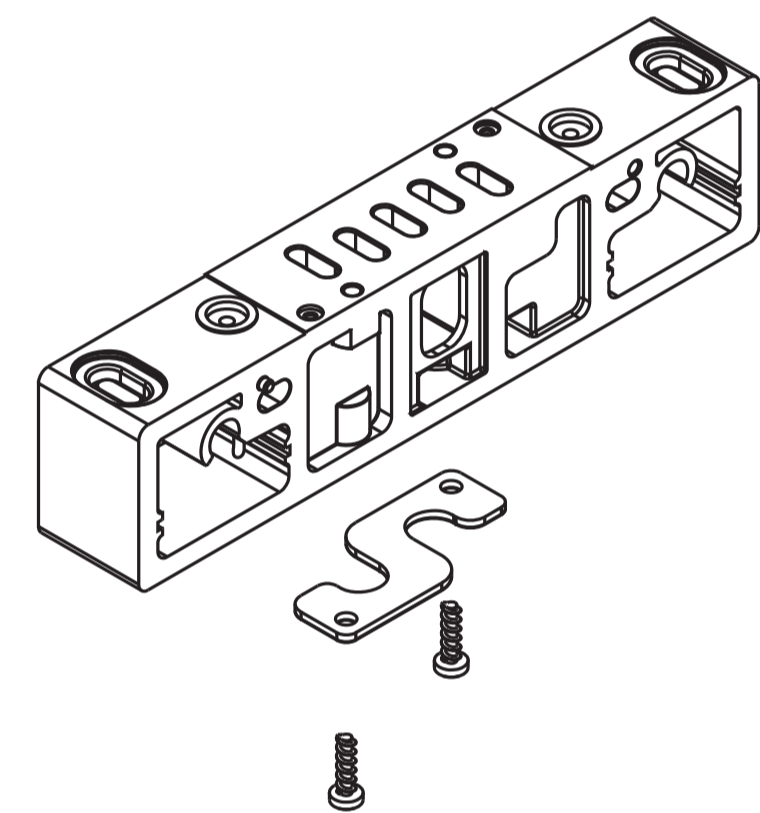
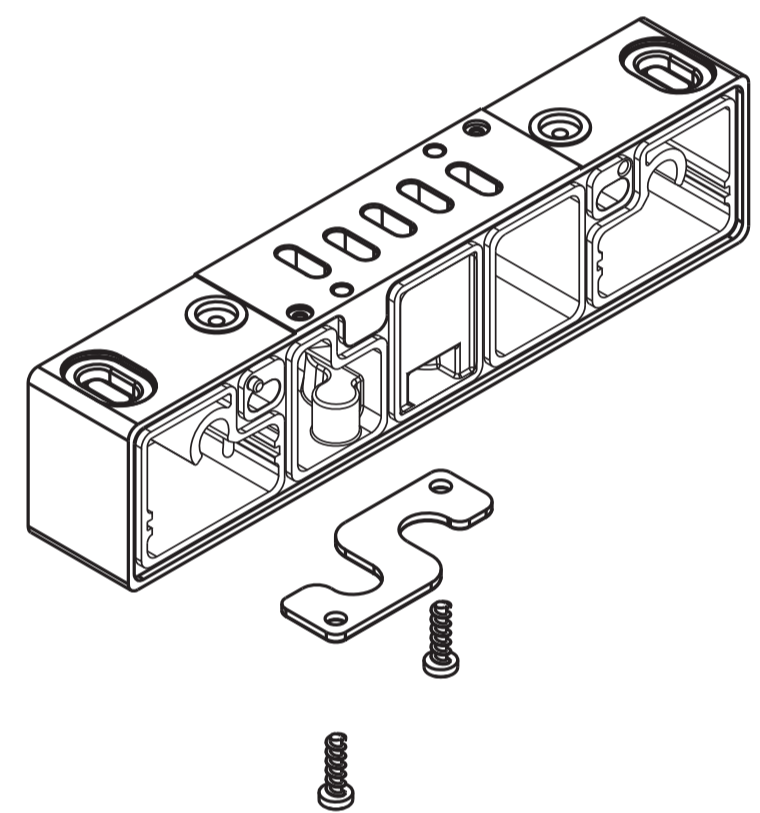
GP-6230/1/2

GP-6240/1/2

GP-6380

GP-6285

GP-6411



3 1 5

3 1 5

sub-base with closed air supply and open exhausts
GP-6230 without electrical connection
GP-6231 monostable
GP-6232 bistable

sub-base with open air supply and closed exhausts
GP-6240 without electrical connection
GP-6241 monostable
GP-6242 bistable

intermediate supply plate
(to be used only with GP-63... sub-bases)

closing plate for unused valve place

lifting bracket

GP-6400-1

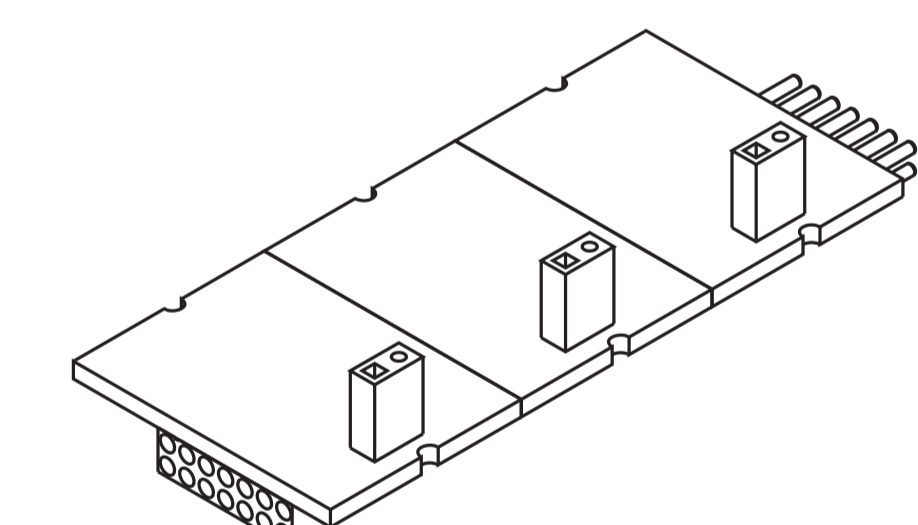
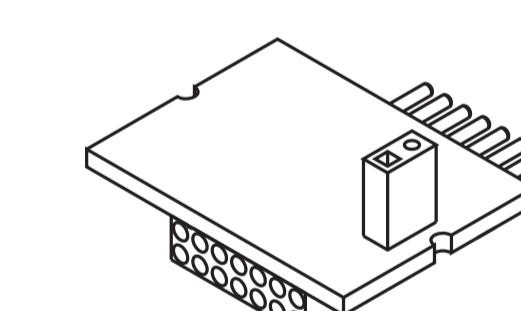
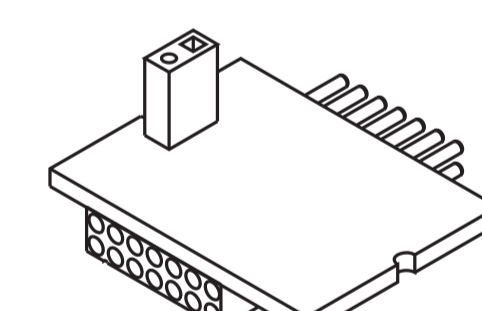
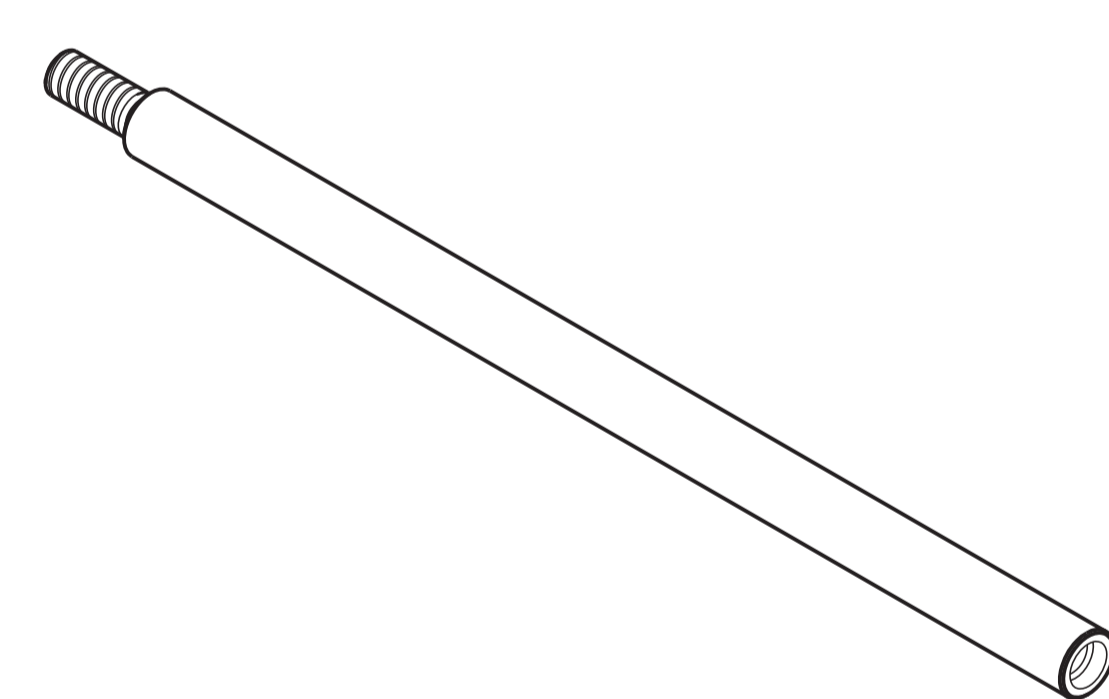
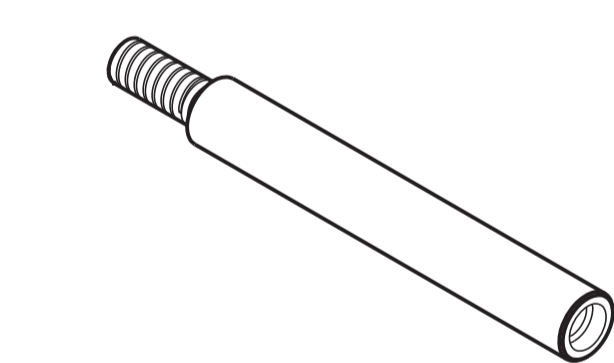
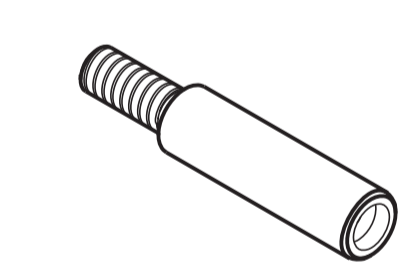
GP-6400-2

GP-6400-5

GP-6512-01/..MF

GP-6514-01/..MF

GP-651418



modular tie-rod
1 valve place

modular tie-rod
2 valve places

modular tie-rod
5 valve places

BUS connection card control side 12 with 12 pins
GP-6512-01MF 1 place
GP-6512-02MF 2 places
GP-6512-03MF 3 places
GP-6512-05MF 5 places
GP-6512-06MF 6 places

BUS connection card control side 14 with 12 pins
GP-6514-01MF 1 place
GP-6514-02MF 2 places
GP-6514-03MF 3 places
GP-6514-05MF 5 places
GP-6514-06MF 6 places

BUS connection card control side 14 with 18 pins (only 12 places) for manifolds with control 14 with more than 12 coils (up to 18) use GP-651418 card 12 places and then GP-6514-...

AZ4-SN004A

No. 100 nuts M4 for tie-rods

AZ4-VN0416

No. 100 screws M4x16 for tie-rods

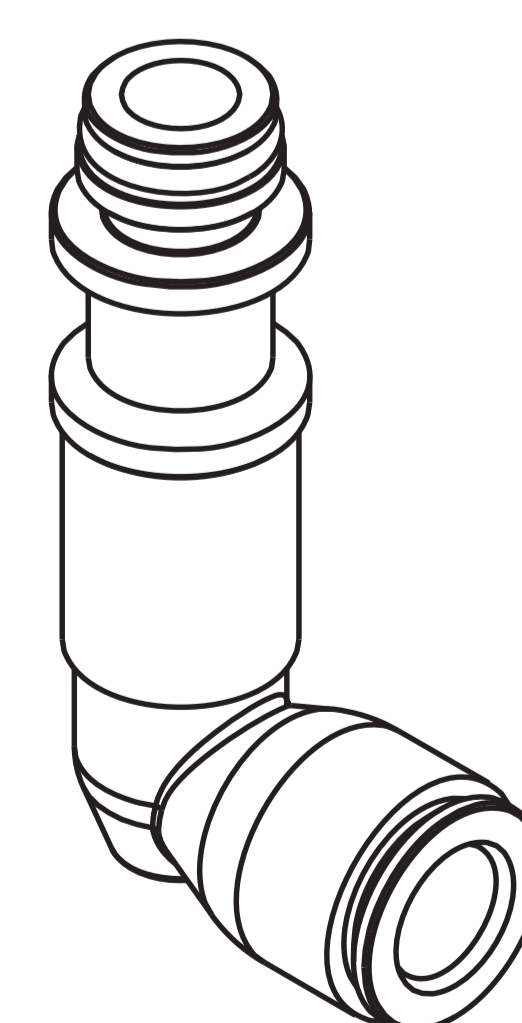
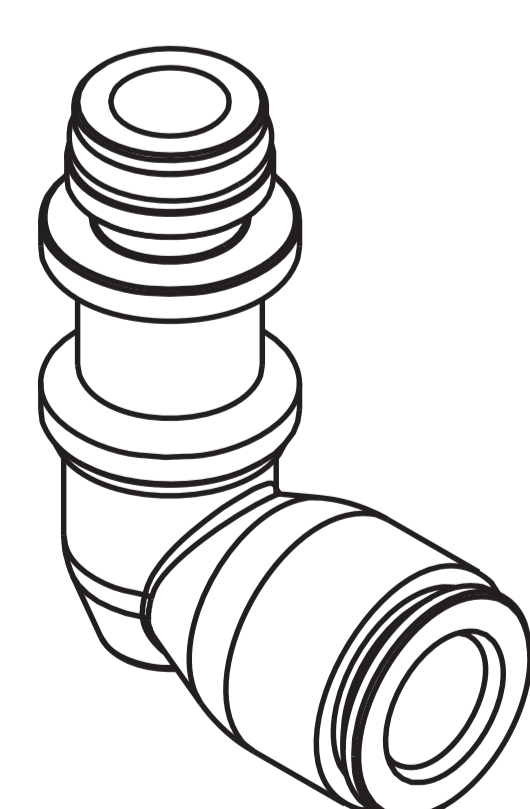
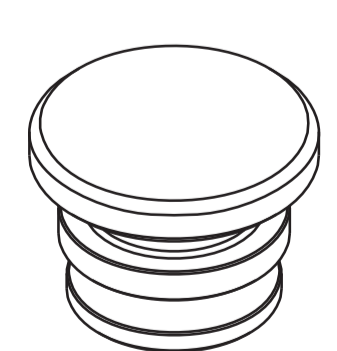
customized solutions up to 12 places available upon request

GZR-100

GZR-V10004/6/8

GZR-V20004/6/8

GZR-V20L004/6/8



blanking plug

straight fitting
GZR-V10004 tube: 4 mm
GZR-V10006 tube: 6 mm
GZR-V10008 tube: 8 mm

low elbow fitting
GZR-V20004 tube: 4 mm
GZR-V20006 tube: 6 mm
GZR-V20008 tube: 8 mm

high elbow fitting
GZR-V20L004 tube: 4 mm
GZR-V20L006 tube: 6 mm
GZR-V20L008 tube: 8 mm

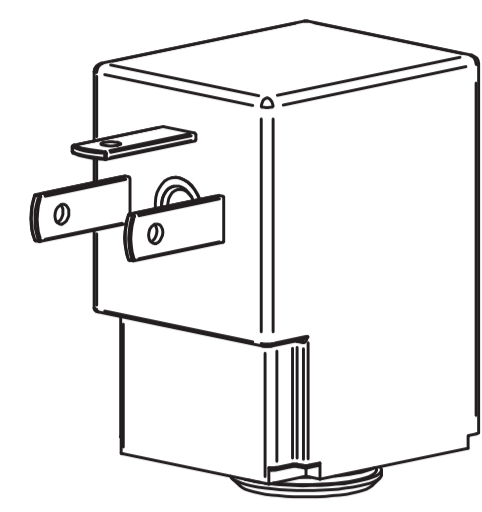
For sub-bases preset for external pilot supply, add suffix S to part number (e.g. GP-6210S)

DD-...

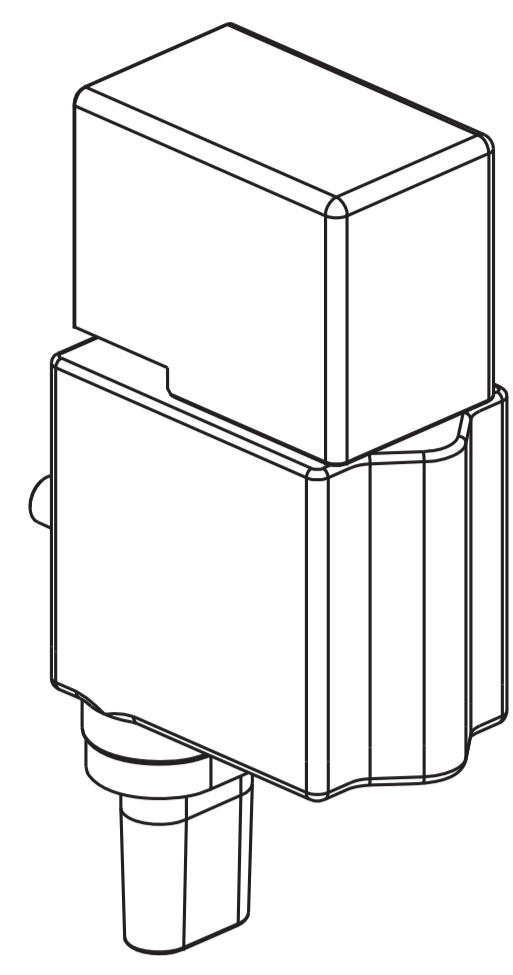
DD-051-2C/DD-040-2C

DE-652I

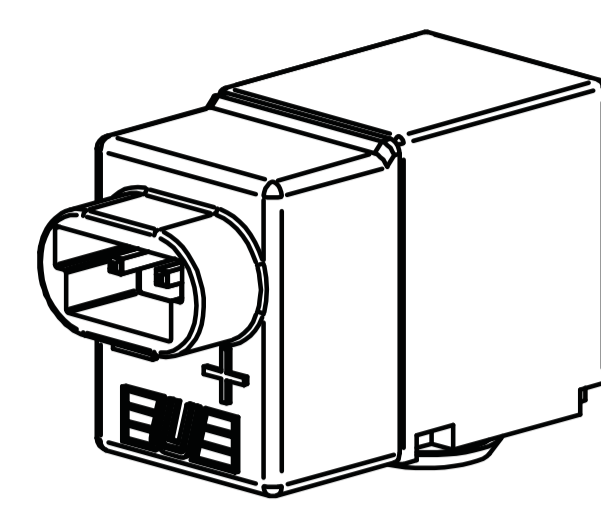
D-530-30/50/200



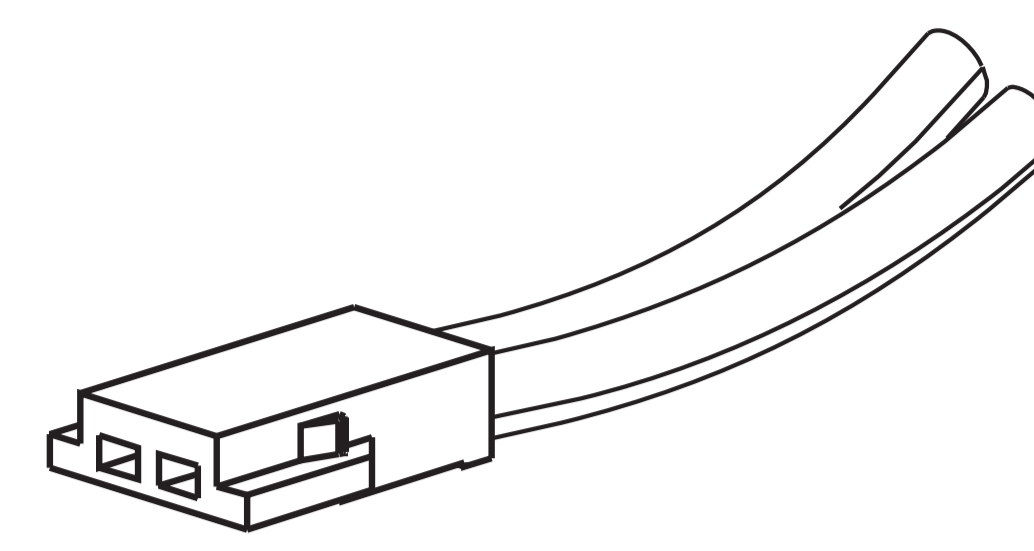
24 V DC 2 W coil
for single connection



24 V DC 2 W coil
with integrated connector
for multipolar version



24 V DC 1,35 W coil
with in-line connector
with protection for a
complete tightness

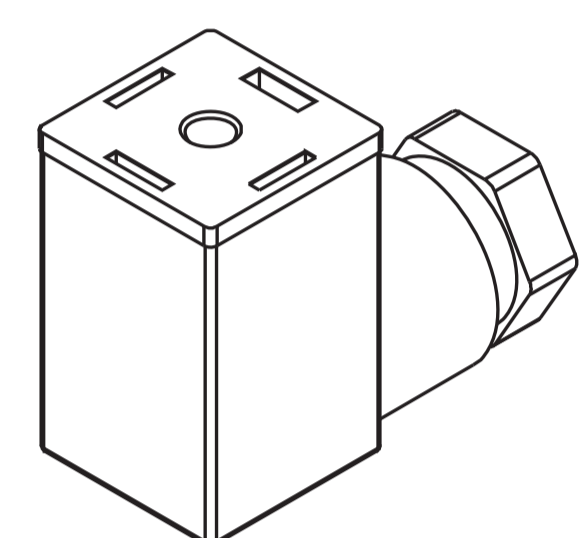


Miniature connector with loose
cables

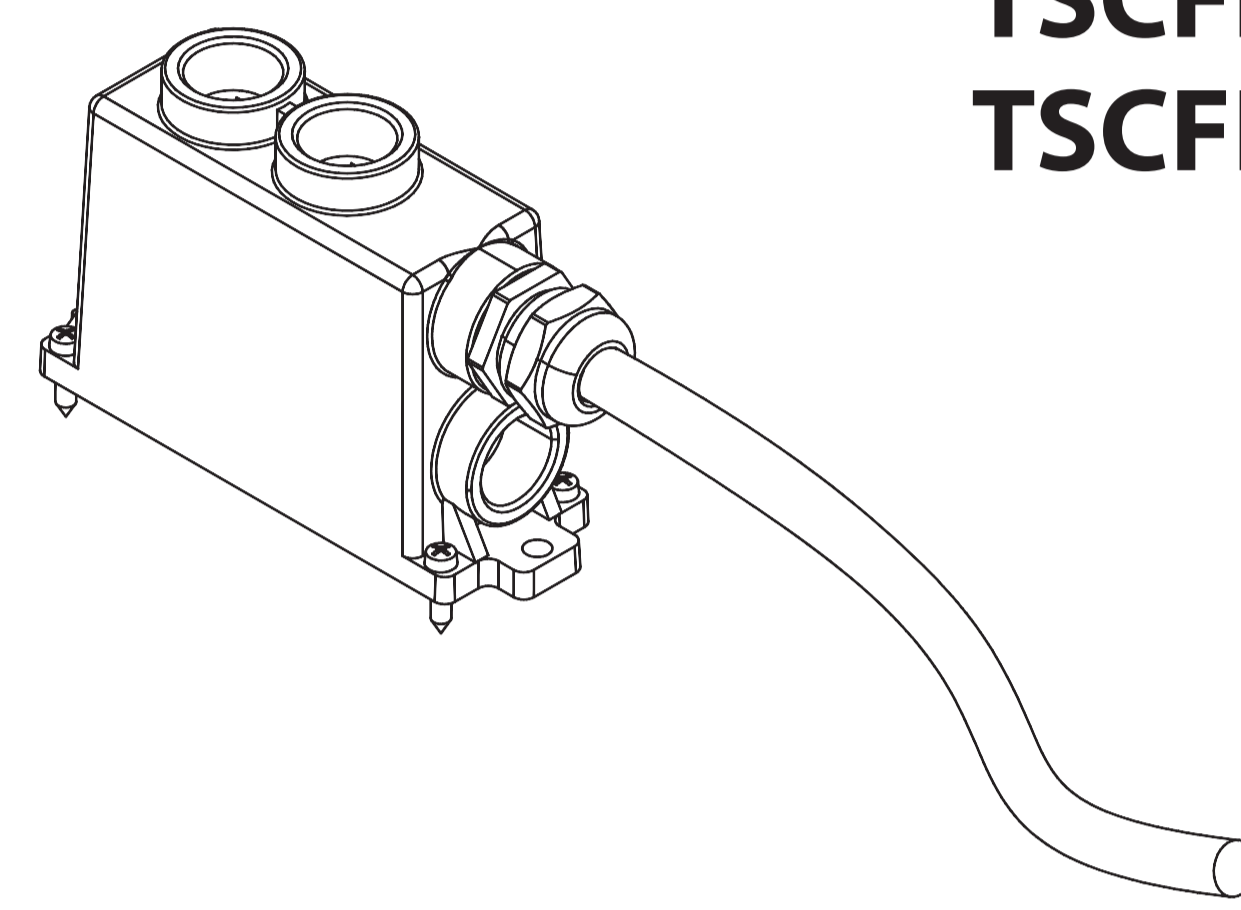
D-530-30 = wire length 300 mm
D-530-50 = wire length 500 mm
D-530-200 = wire length 2000 mm

Electrical connections

AM-5109



15 mm connector



TSCFN24S0300
TSCFN24S0500
TSCFN24S1000

sub-D flying female connector in compliance with
CEI 20-22 O.R. II prewired for 24 coils (3-5-10 m length)
M3x12 fixing screws

■ Example of panel mounting

