

### CHARACTERISTICS

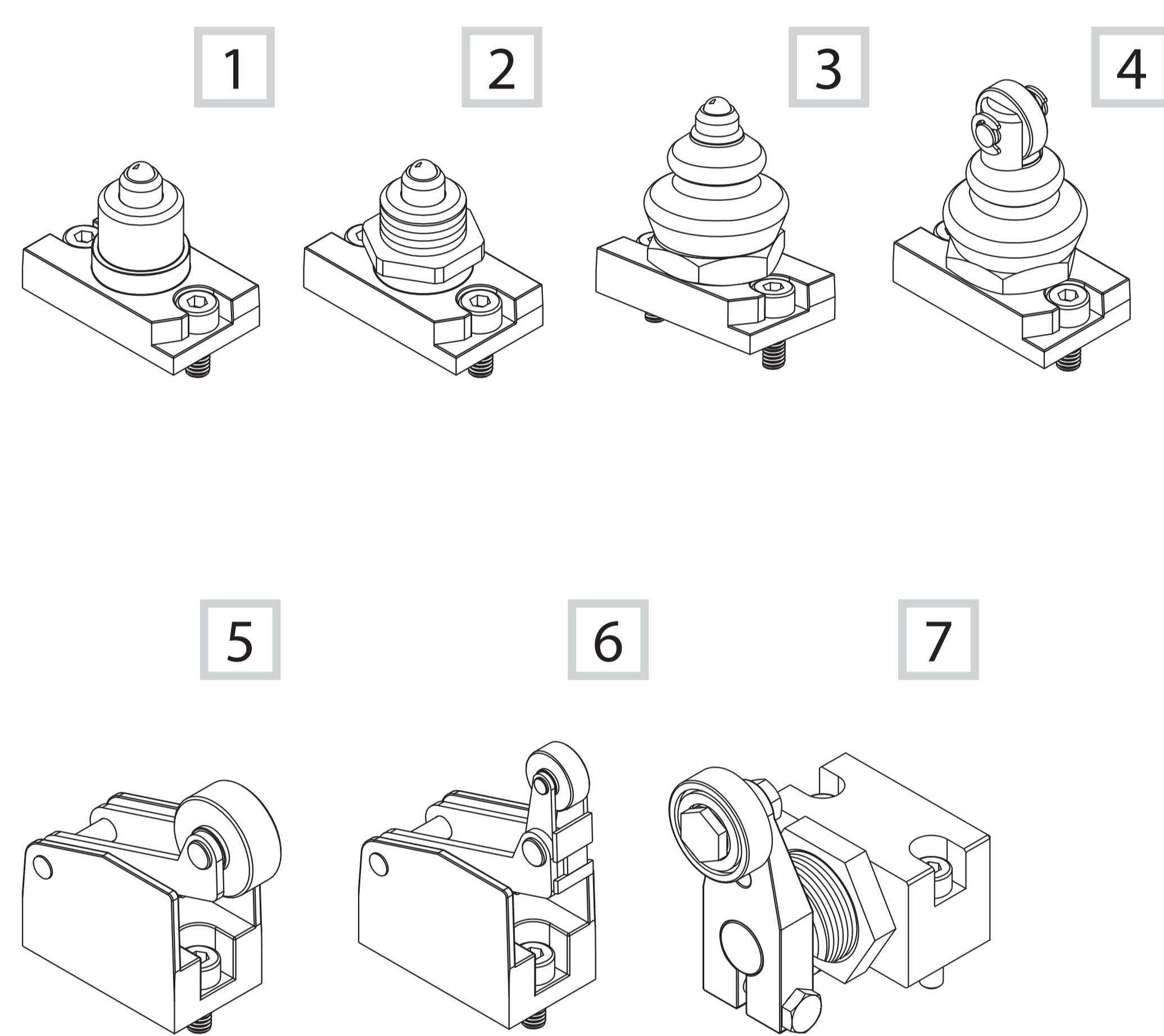
Ambient temperature	-10 ÷ +45 °C	
Fluid	50 µm filtered air, with or without lubrication	
Commutation system	spool	
Max pressure	10 bar	
Connections	G/18	G1/4
Nominal bore (mm)	6,5	8,5
Nominal flow rate (NI/min)	890	1480
Valve body	die-cast zamak (G1/8), aluminium (G1/4)	
Seals	NBR	
Spool	aluminium	
Electropilot/Coil	AA series/U1-U3	
Power consumption	3,5 W (DC) - 5 VA (AC)	
Connector	AM-5110	
Voltage	12 V DC - 24 V DC - 24 V AC - 110 V AC - 230 V AC	
Manual override	impulse screw - 2 positions	



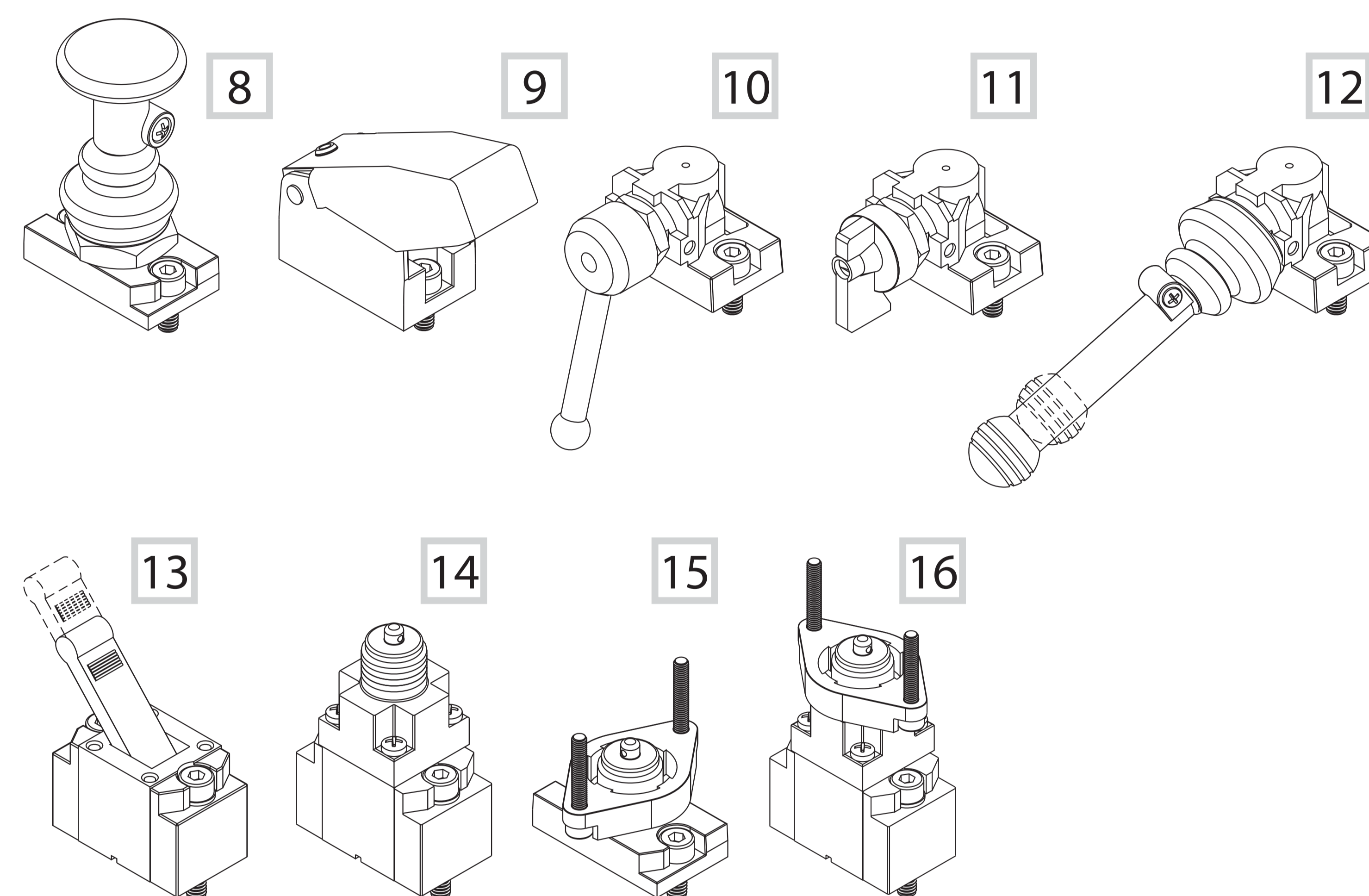
NOTE: some versions with high temperature seals are available upon request  
(for further information please contact our Sales Office)

### UNIVERSAL Modular System

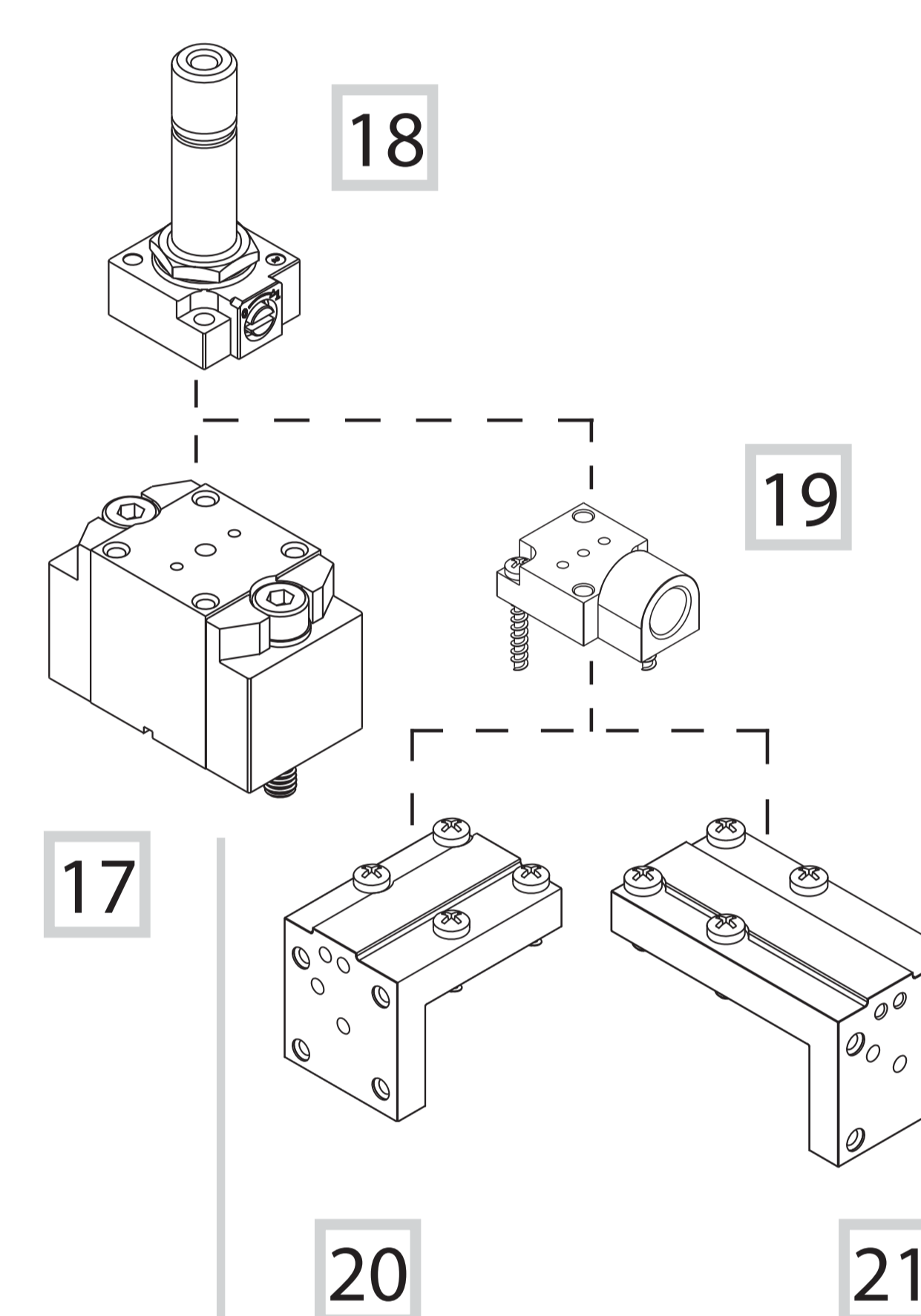
#### MECHANICAL



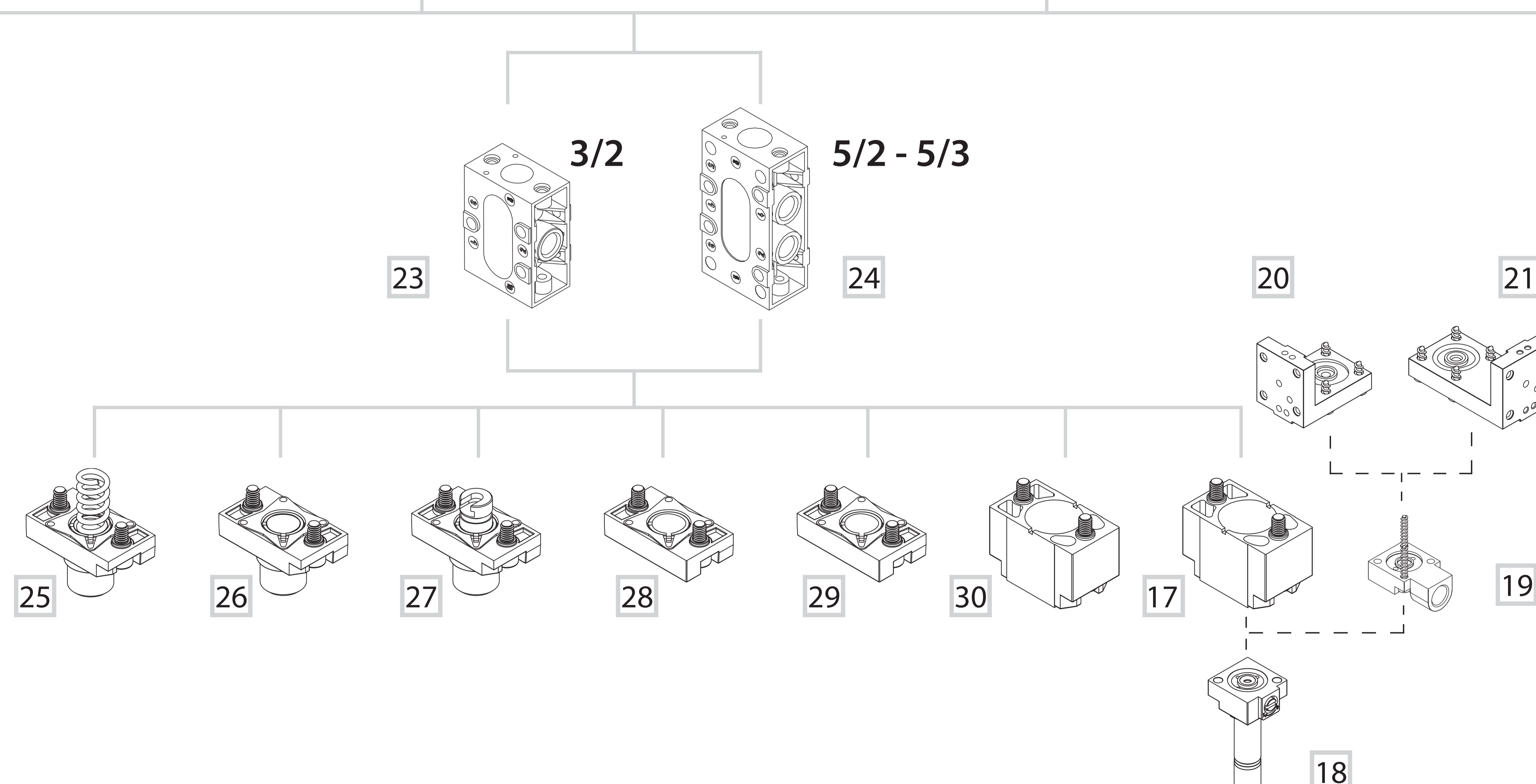
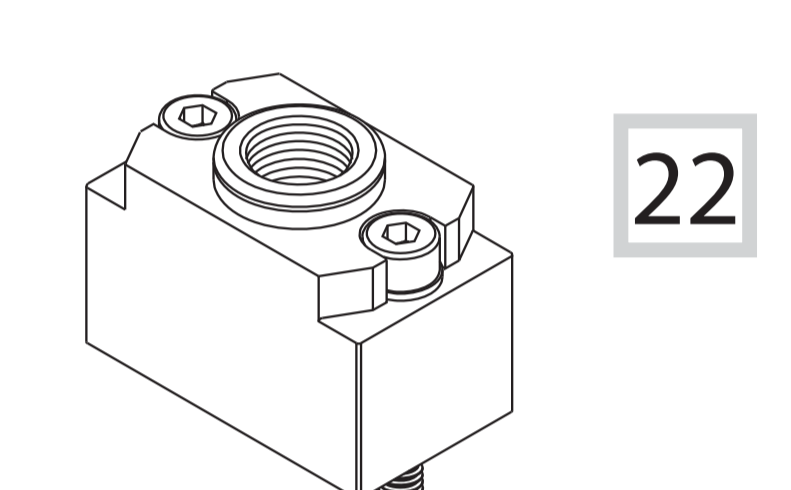
#### MANUAL



#### ELECTRICAL



#### PNEUMATIC



#### MECHANICAL CONTROL

- 1 Ball push
- 2 Ball push for screw panel mounting
- 3 Ball push with dust protection
- 4 Roller with dust protection
- 5 Roller lever
- 6 One-way roller lever
- 7 Two-way side roller lever

#### MANUAL CONTROL

- 8 Push-pull
- 9 Push button
- 10 Rotating lever
- 11 Selector

- 12 90° short/long lever

- 13 Short/long lever
- 14 Threaded indirect operation
- 15 Panel direct operation
- 16 Panel indirect operation

#### ELECTRICAL CONTROL

- 17 Electrical amplified
- 18 U1 electropilot
- 19 Plate for external pilot supply
- 20 Angle plate for "H" solenoid option
- 21 Angle plate for "P" solenoid option

#### PNEUMATIC CONTROL

- 22 Pneumatic amplified

#### BODY

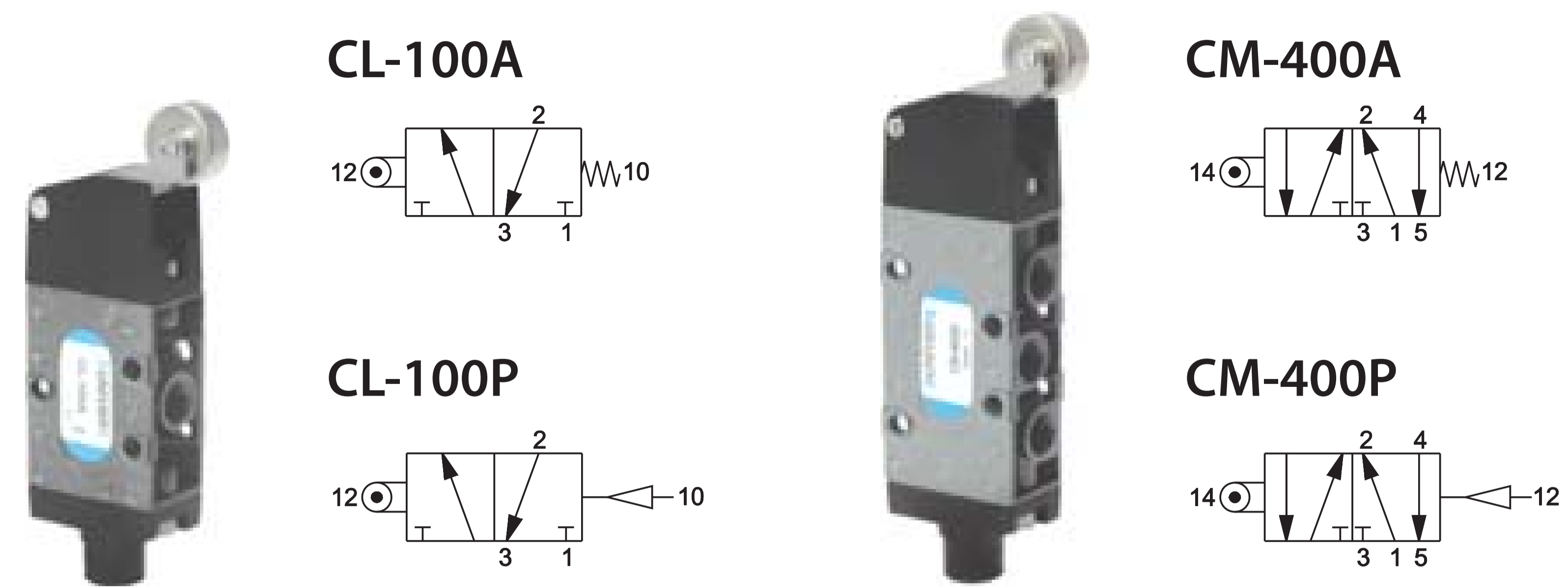
- 23 3/2 body
- 24 5/2 body

#### RETURN

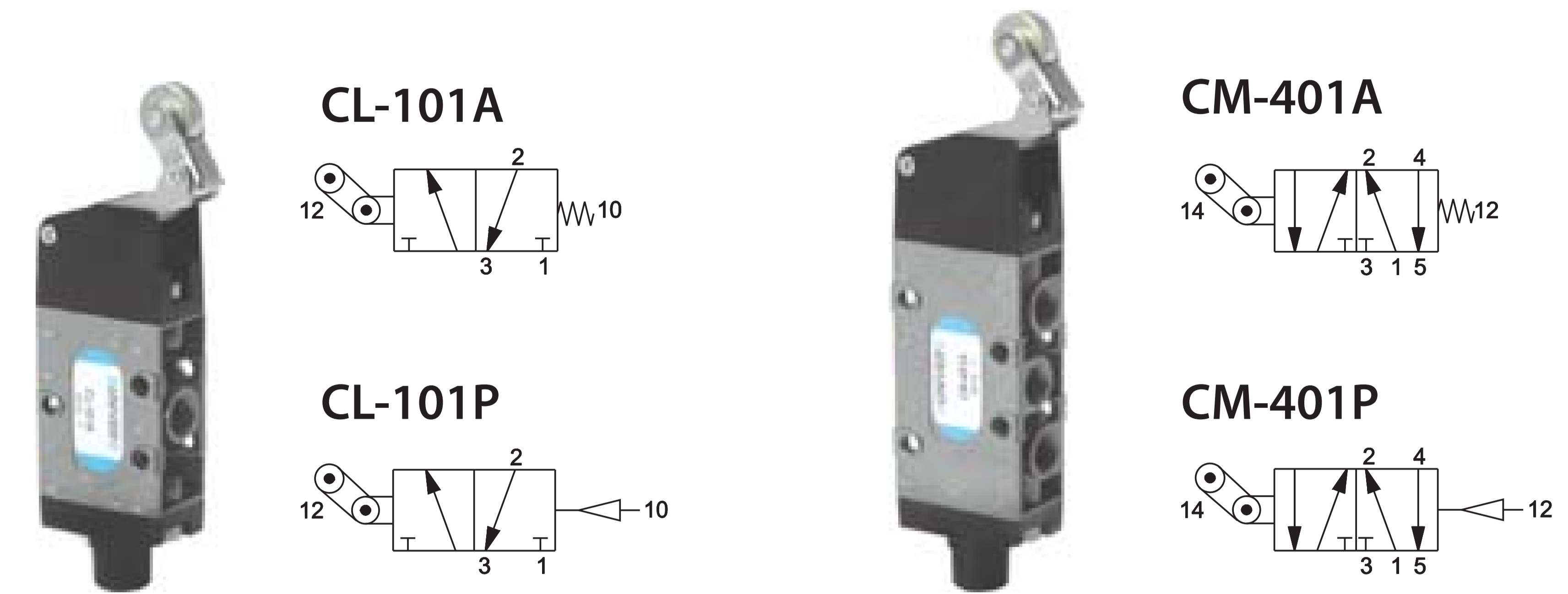
- 25 Mechanical spring
- 26 Pneumatic not amplified
- 27 Bottom plate - 2/3 positions
- 28 Bottom plate
- 29 Pneumatic spring
- 30 Pneumatic amplified

## Valves G1/8 with direct mechanical operation

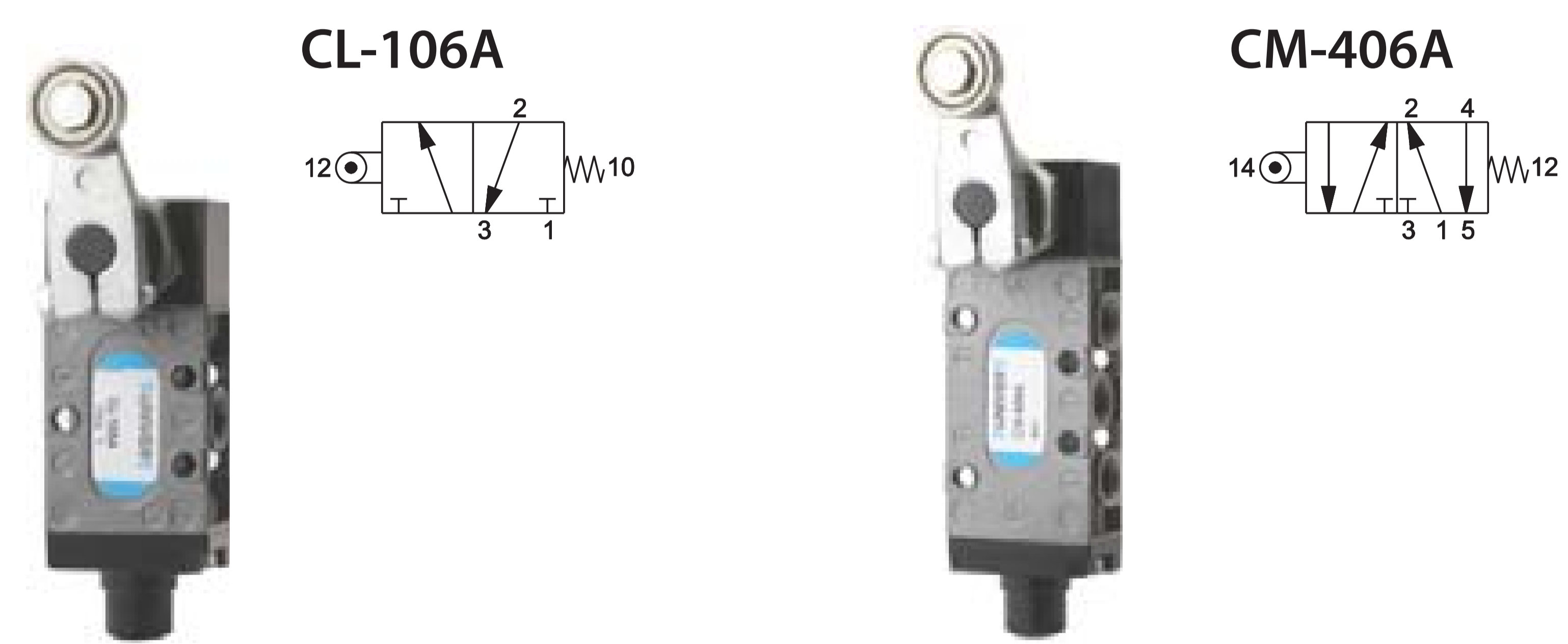
### Roller lever



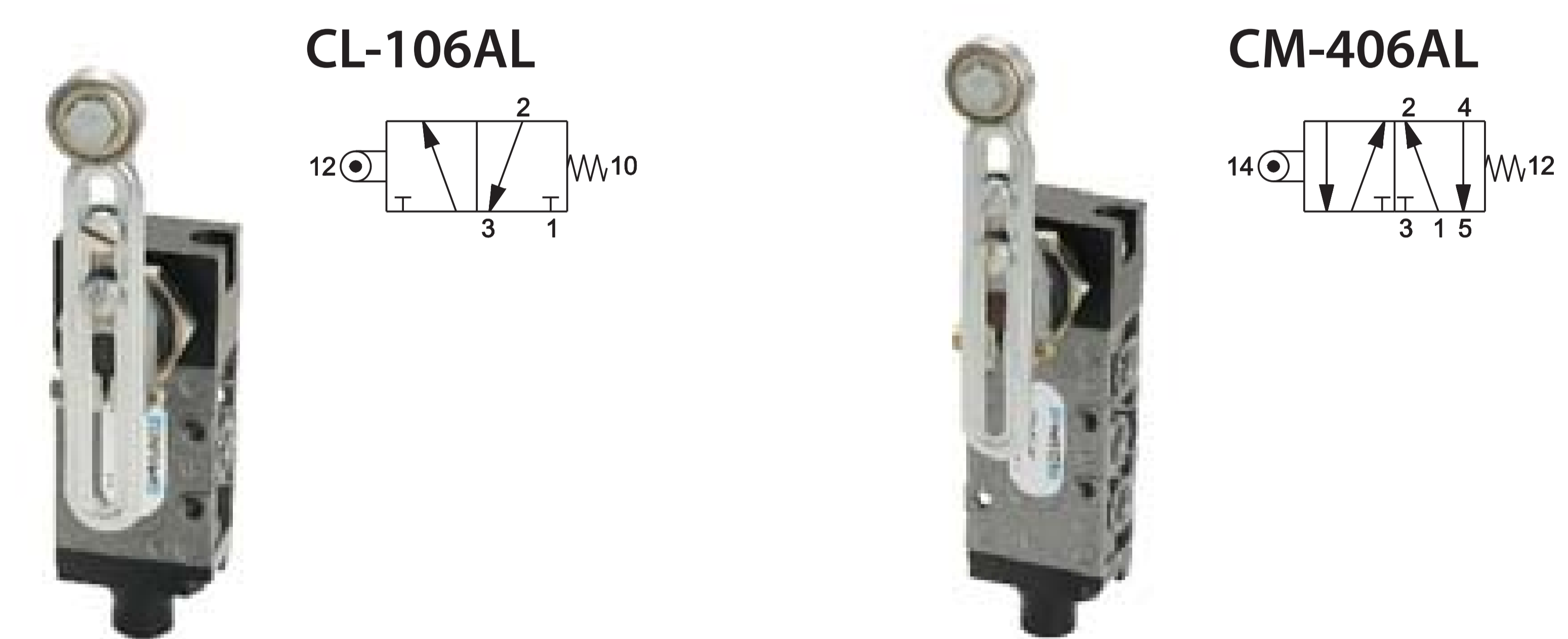
### One-way roller lever



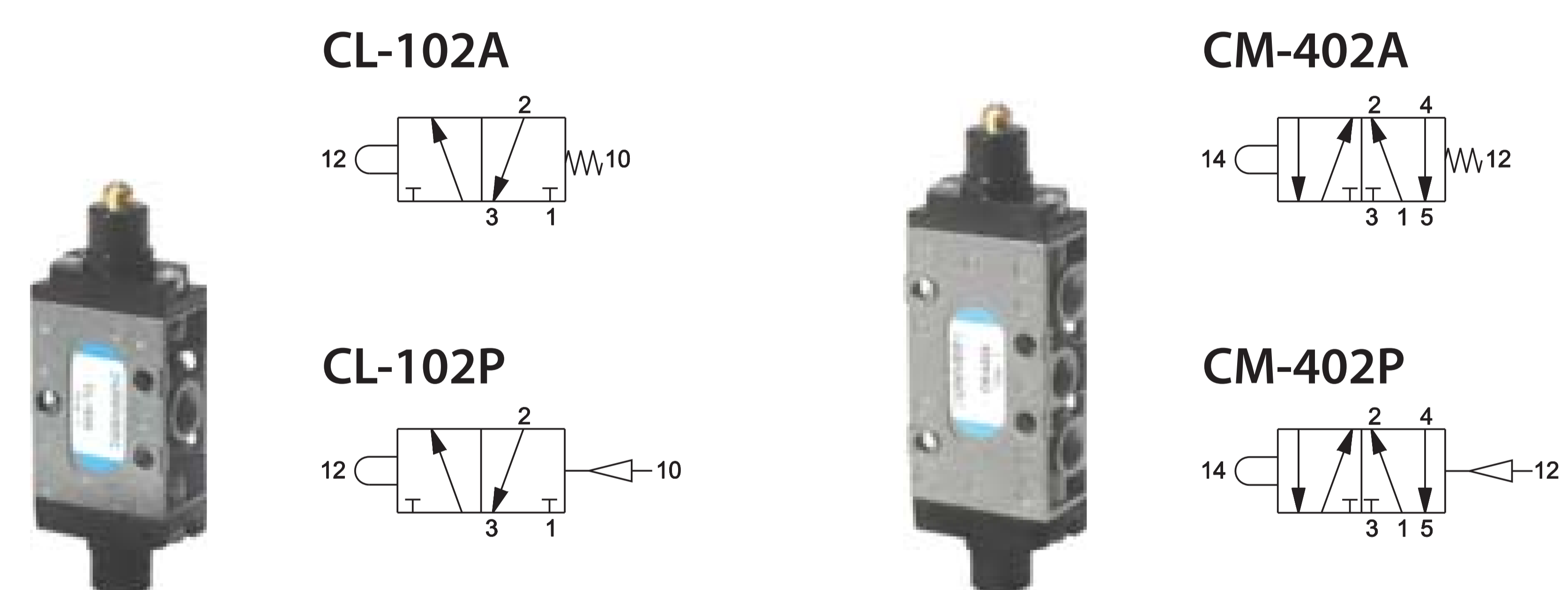
### NEW - Two-way side roller lever



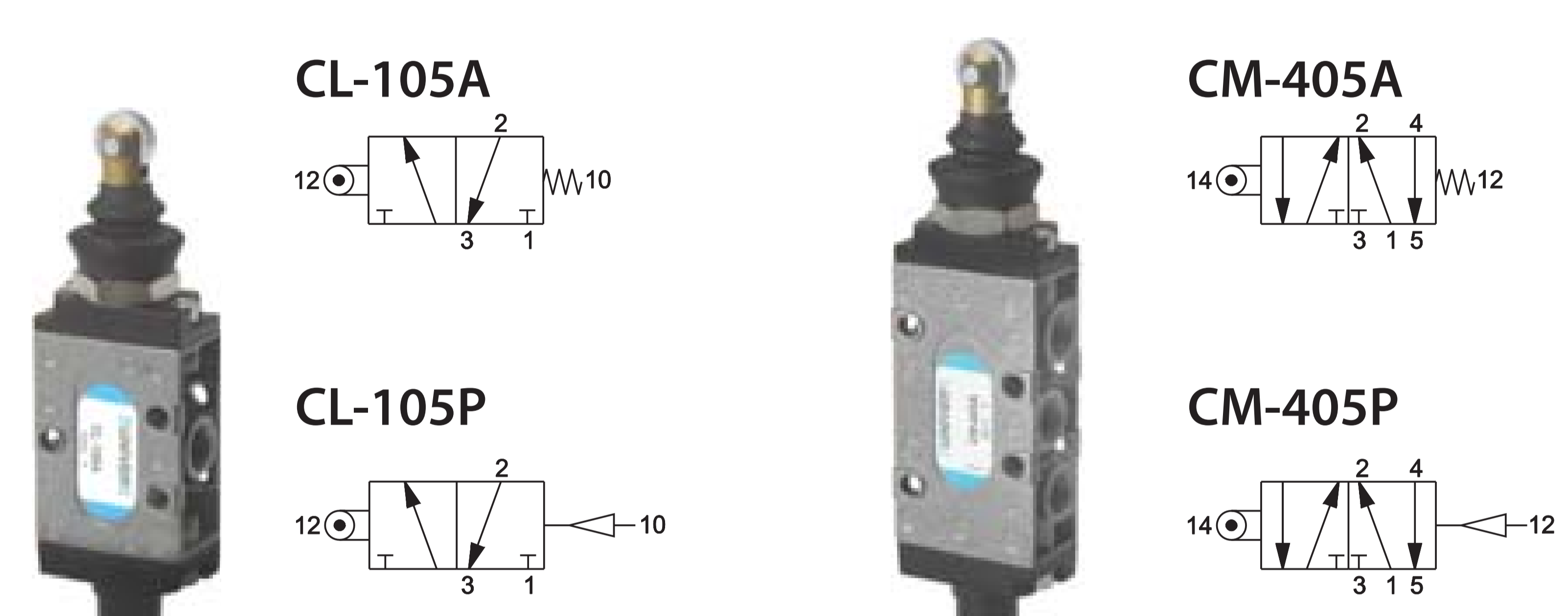
### NEW - Adjustable two-way side roller lever



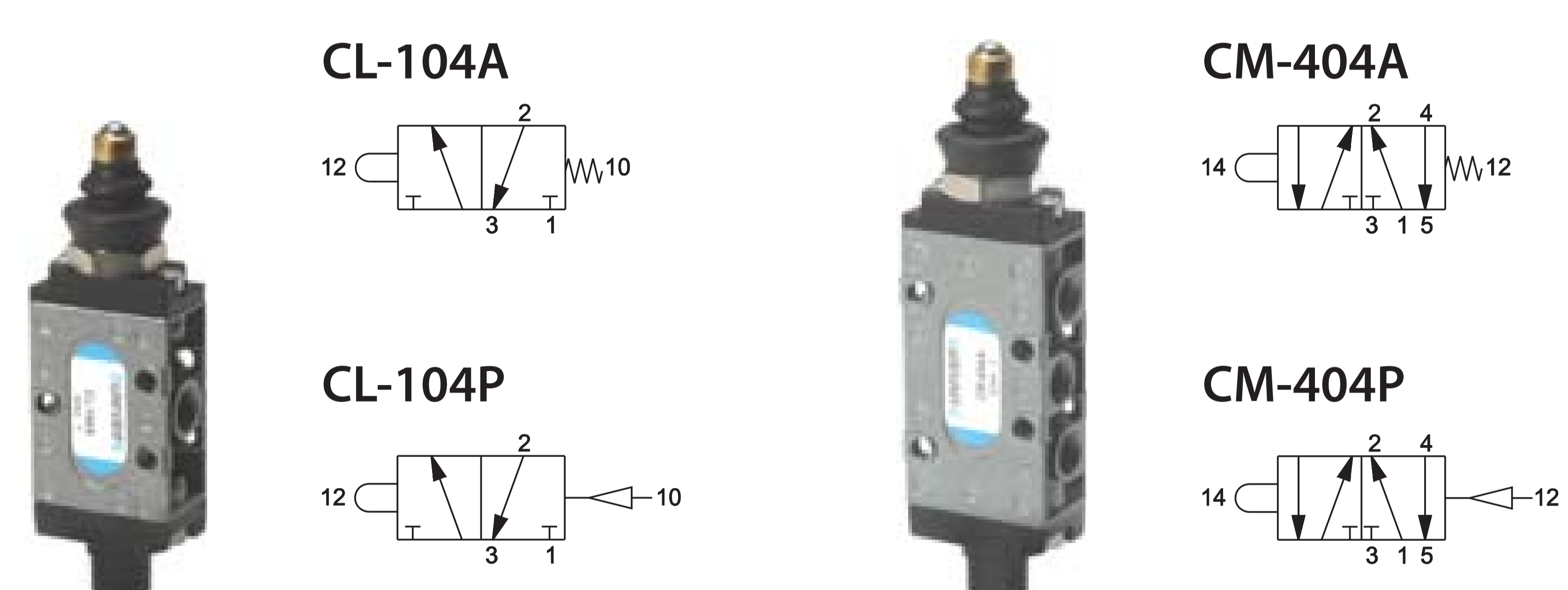
### Ball-push



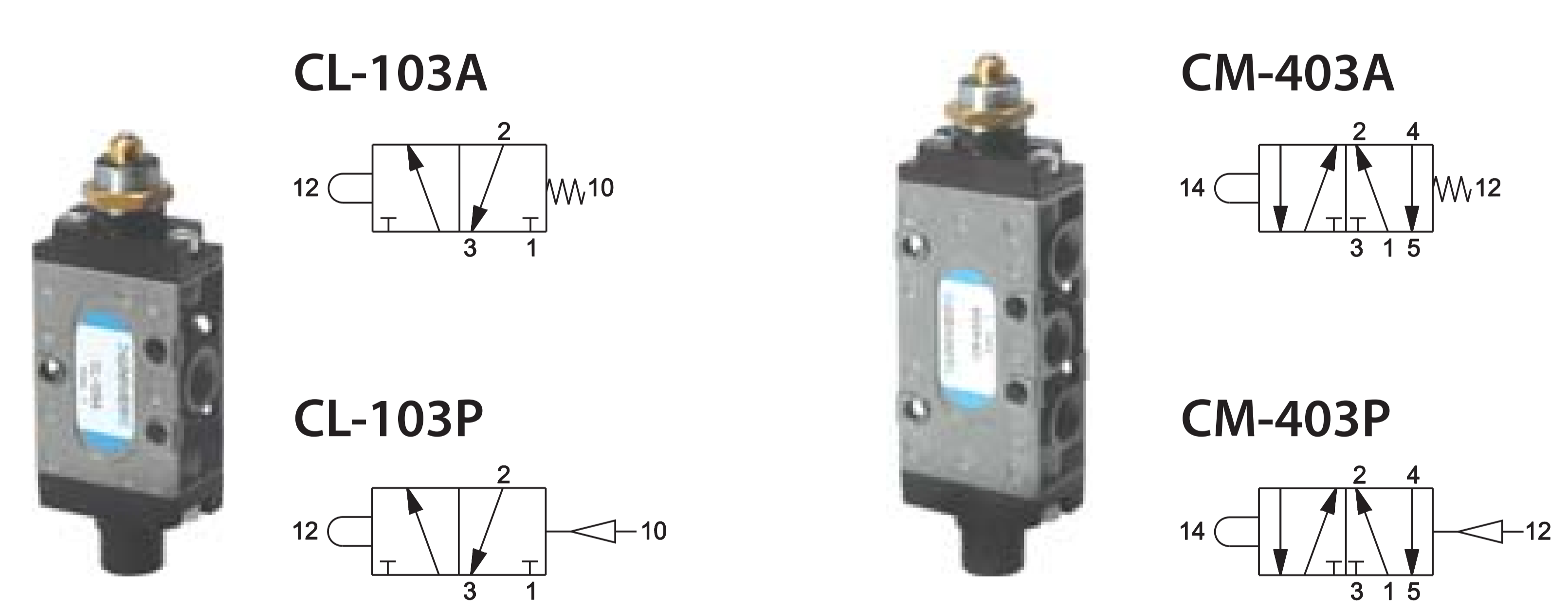
### Roller with dust protection



### Ball push with dust protection

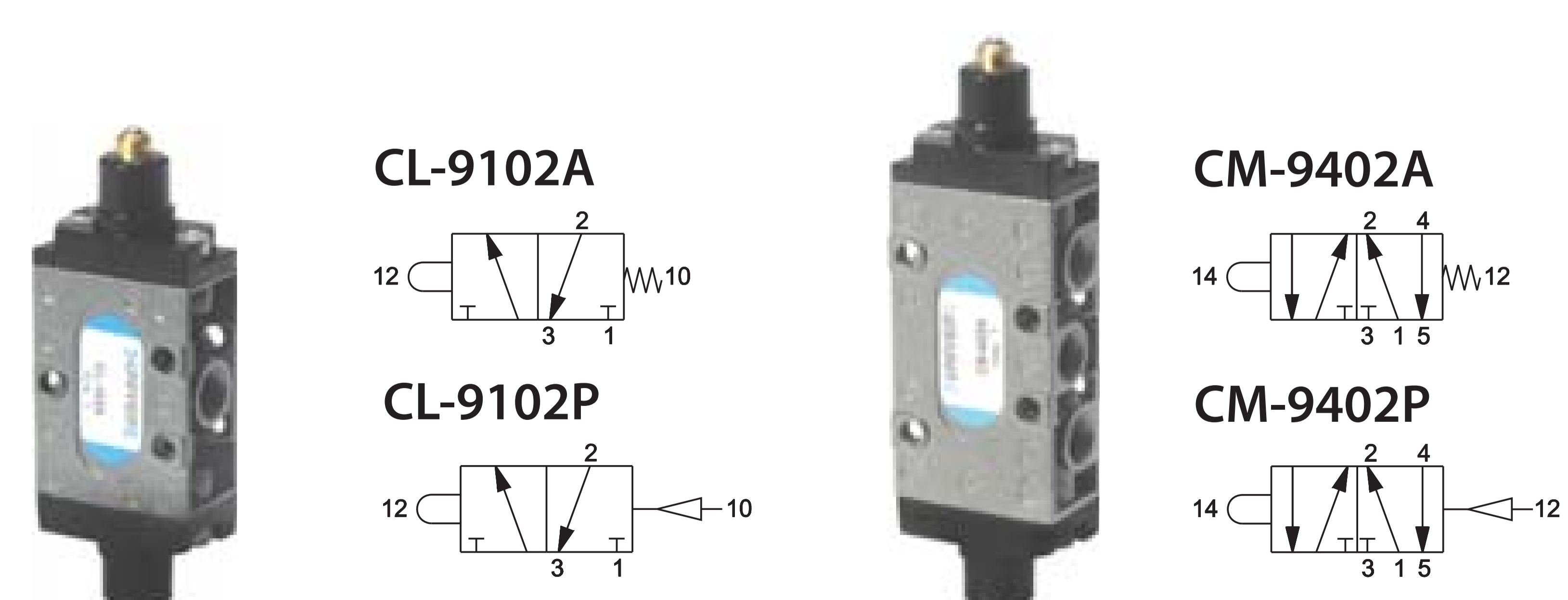


### Ball push for screw panel mounting

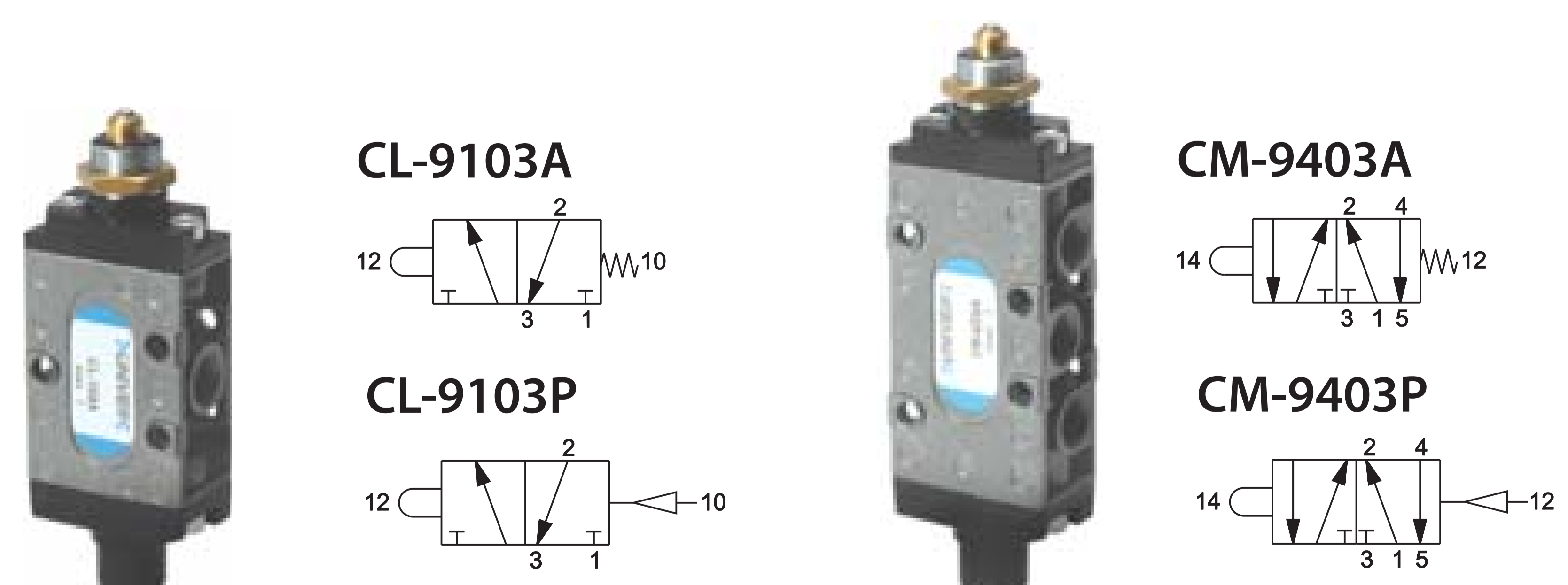


## Valves G1/4 with direct mechanical operation


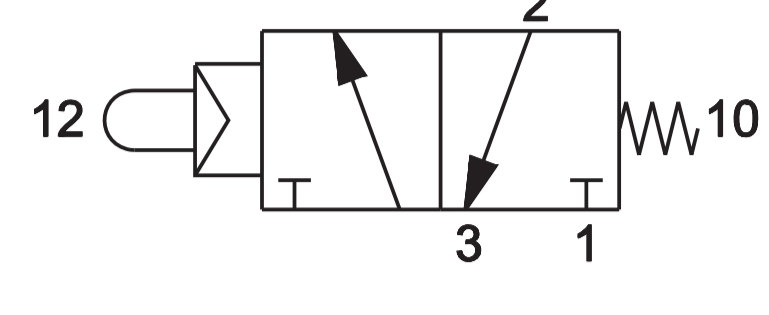

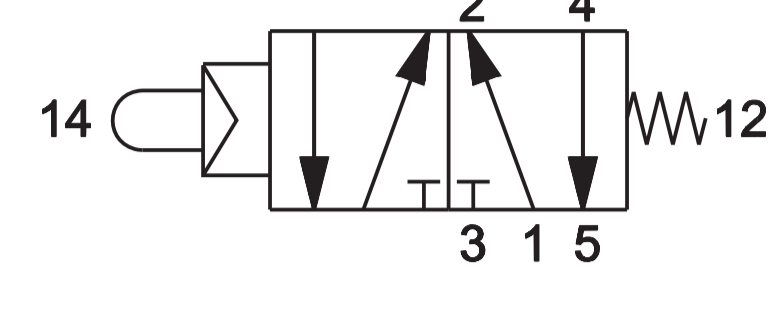

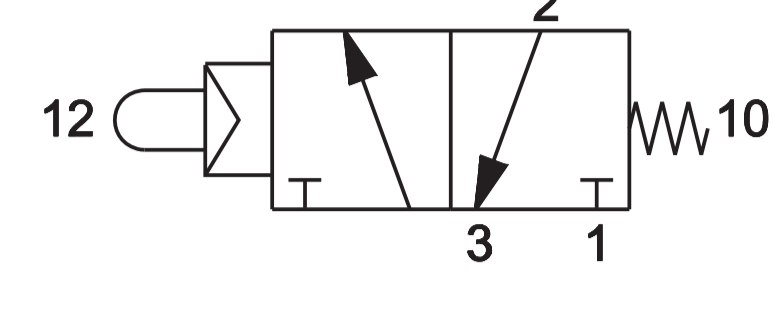

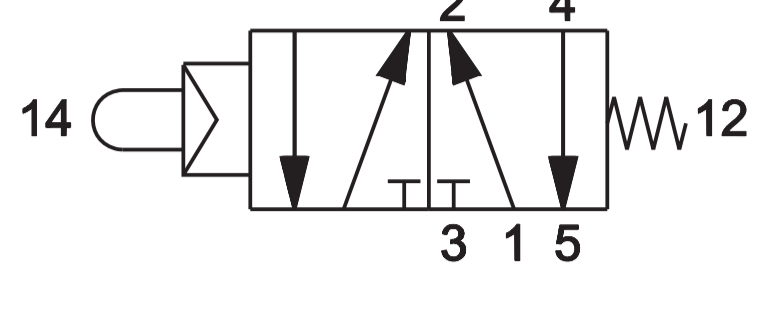

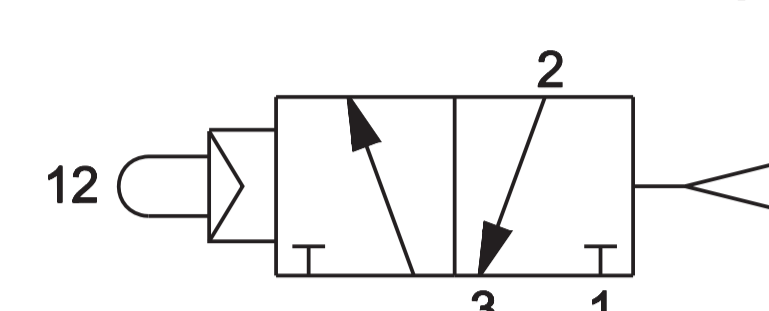

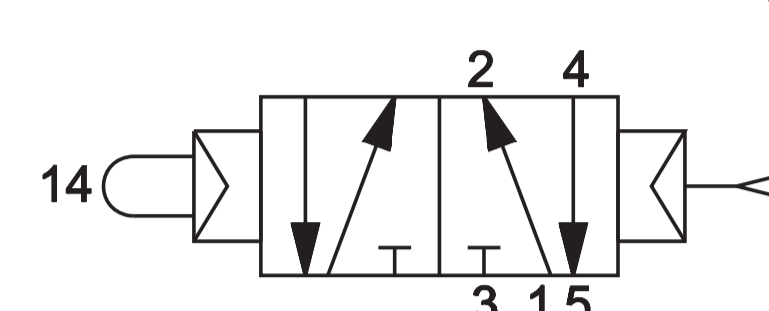

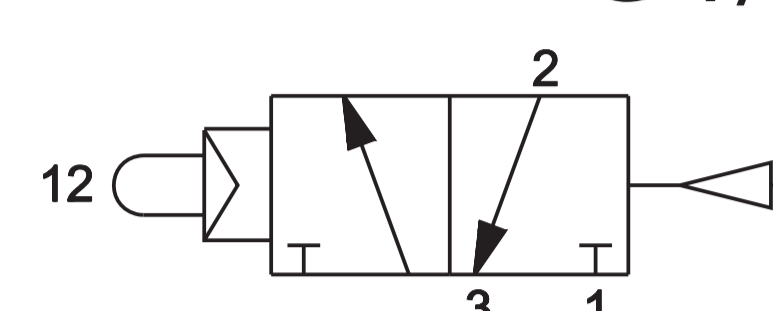

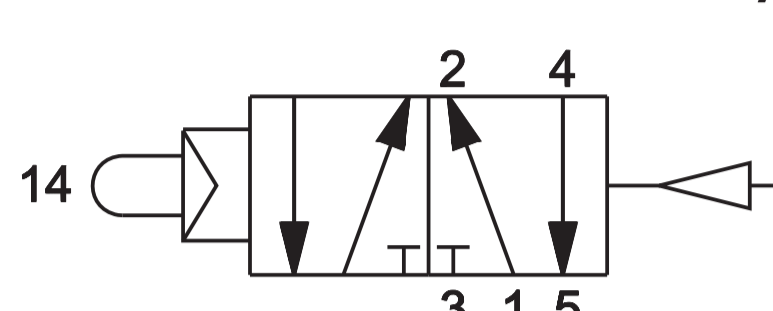
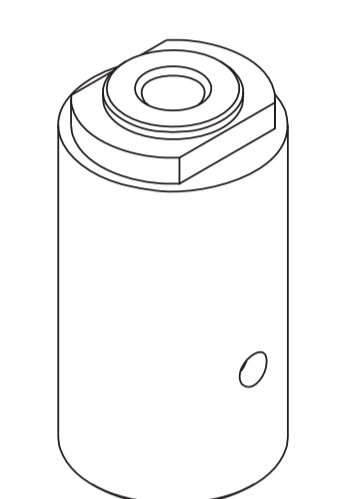
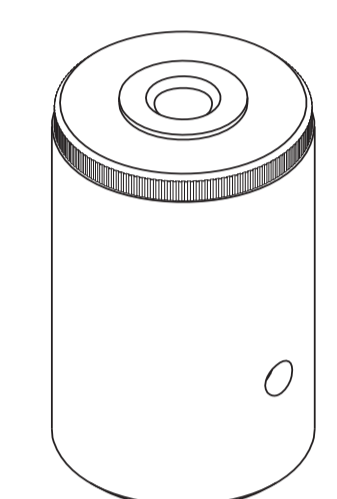
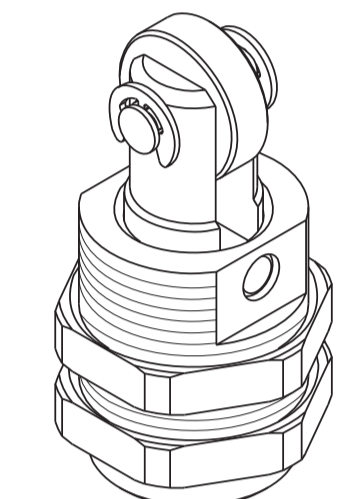
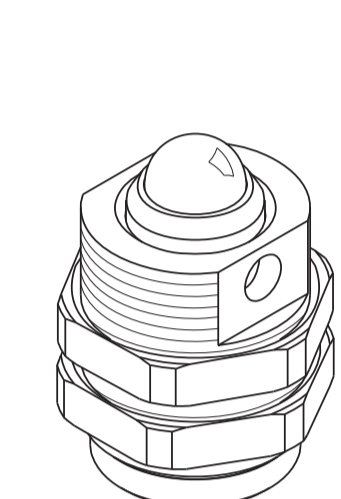
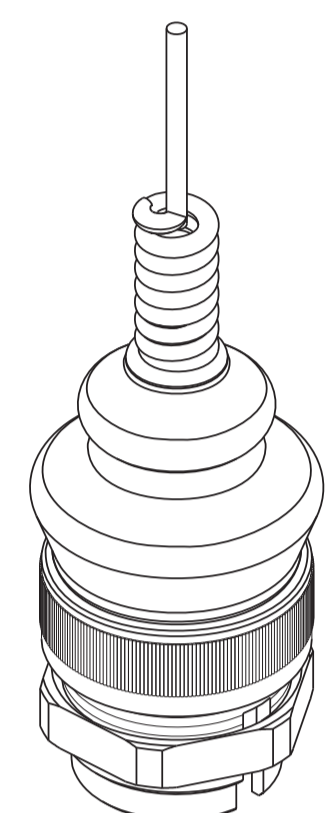
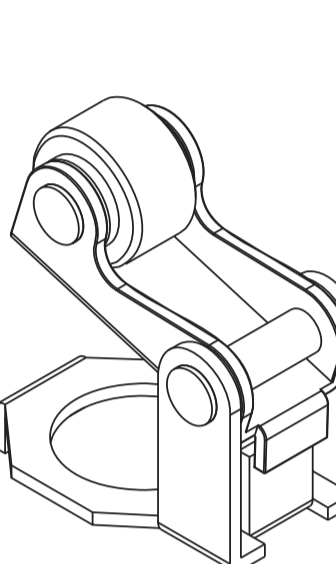
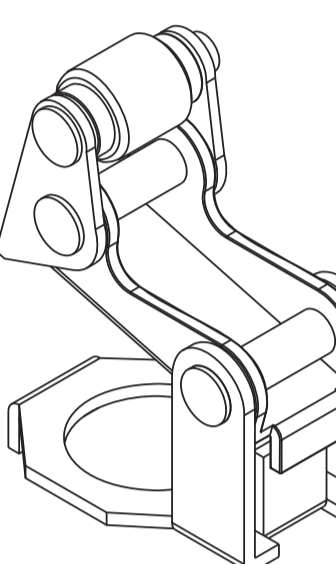
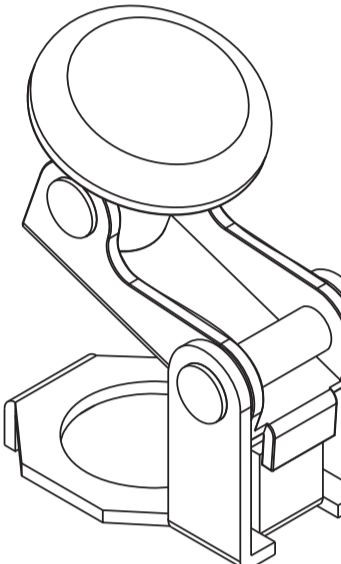
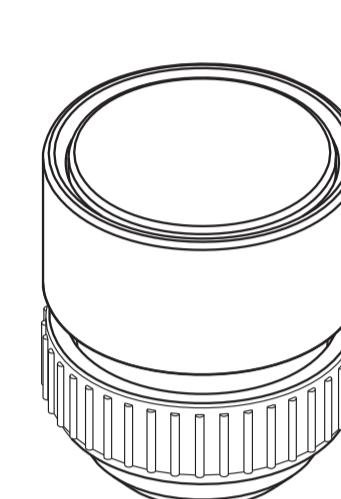
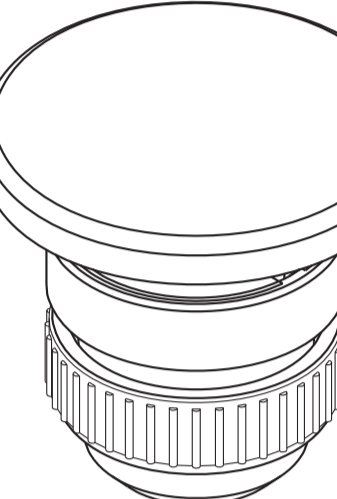
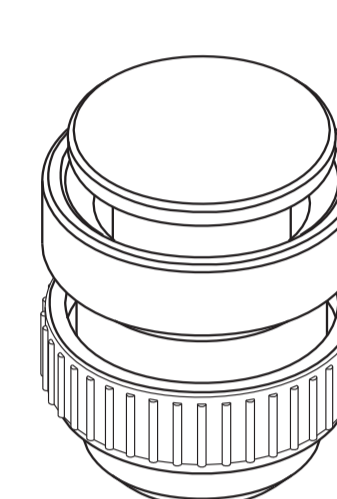
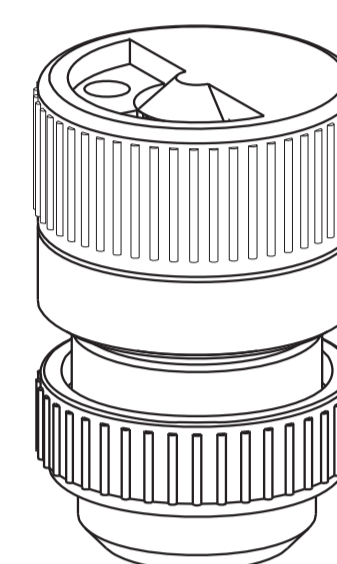
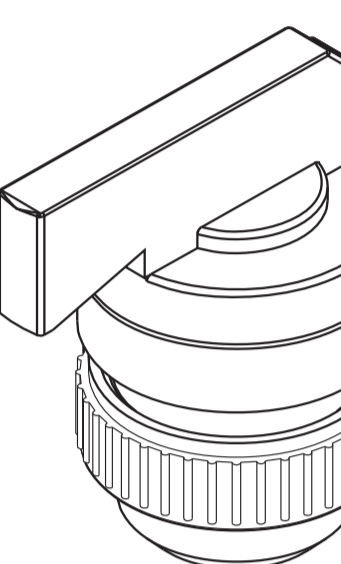

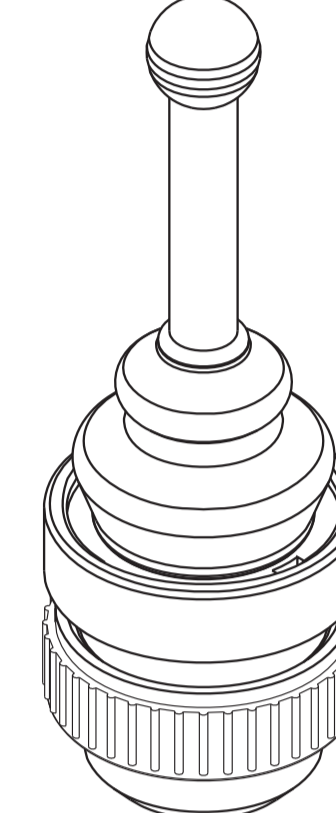
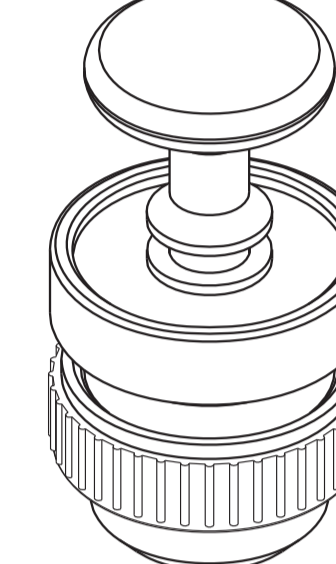
### Ball push




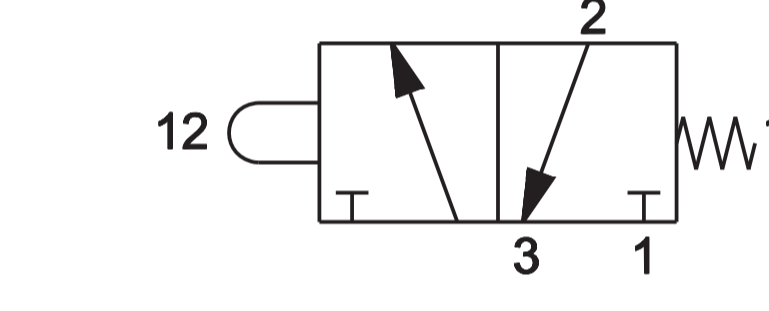

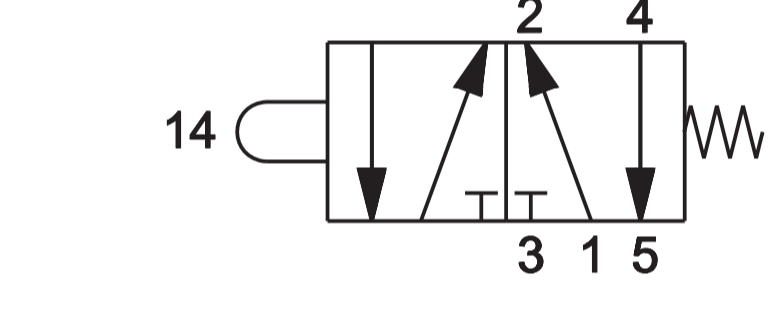

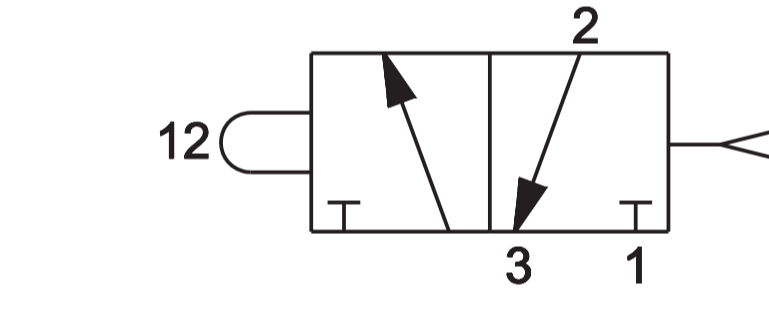

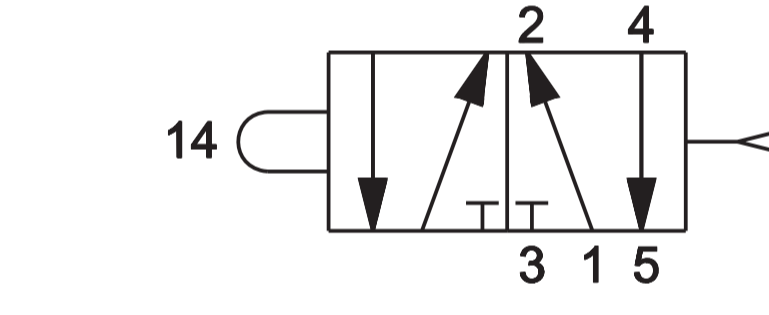
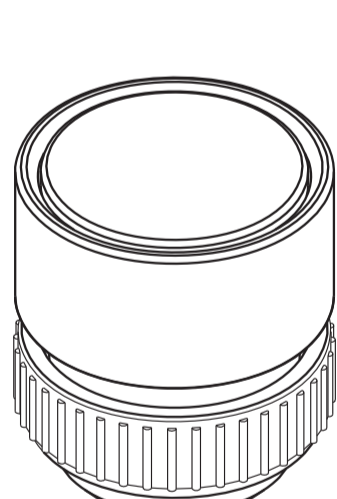
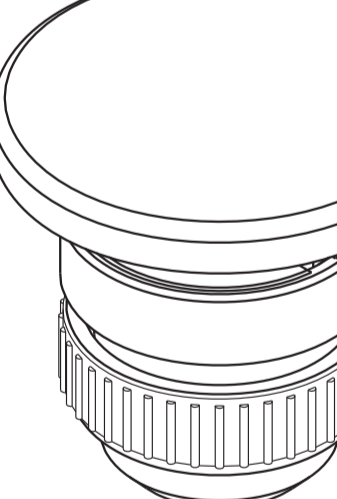
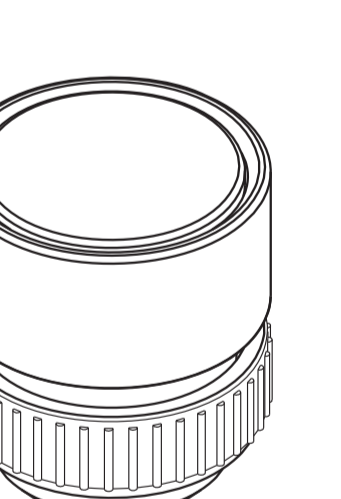
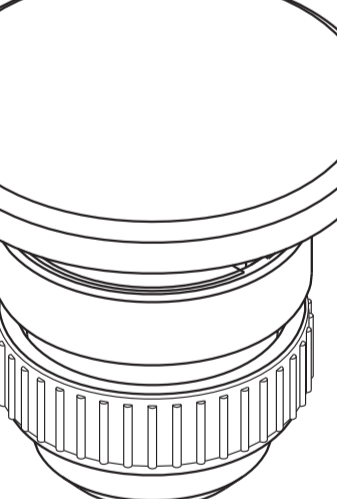
### Ball push for screw panel mounting



## Valves G1/8 - G1/4 with indirect mechanical operation for pneumatic and mechanical operators

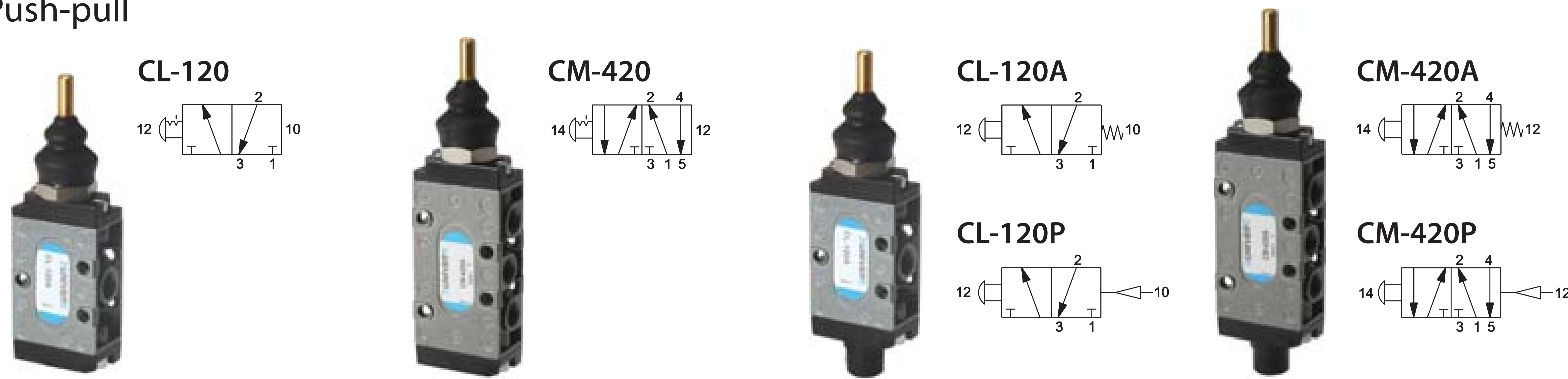
■ Ball push								■ Sensible ball push							
 <p>CL-110A G 1/8 CL-9110A G 1/4</p> 				 <p>CM-410A G 1/8 CM-9410A G 1/4</p> 				 <p>CL-111A G 1/8 CL-9111A G 1/4</p> 				 <p>CM-411A G 1/8 CM-9411A G 1/4</p> 			
 <p>CL-110P G 1/8 CL-9110P G 1/4</p> 				 <p>CM-410P G 1/8 CM-9410P G 1/4</p> 				 <p>CL-111P G 1/8 CL-9111P G 1/4</p> 				 <p>CM-411P G 1/8 CM-9411P G 1/4</p> 			
															
AI-3550	AI-3551	AI-3560	AI-3562	AI-3563	AI-3570	AI-3571	AI-3572	AI-3511 ■	AI-3514 ■	AI-3515 ■	AI-3520 ■	AI-3522 ■	AI-3524 ■	AI-3525 ■	AI-3526 ■
								AI-3512 ■	AI-3516 ■	AI-3517 ■	AI-3521 ■	AI-3523 ■			
								AI-3513 ■	AI-3514D ■	AI-3519 ■					
								AI-3516D ■							

## Valves G1/8 - G1/4 with direct and indirect operation for panel operators

■ Ball push (direct operation)								■ Ball push (indirect operation)							
 <p>CL-112A</p> 				 <p>CM-412A</p> 				 <p>CL-112P</p> 				 <p>CM-412P</p> 			
															
AI-3511Q ■	AI-3514Q ■	AI-3515Q ■	AI-3524Q ■	AI-3511Q ■	AI-3514Q ■	AI-3515Q ■	AI-3524Q ■	AI-3511Q ■	AI-3514Q ■	AI-3515Q ■	AI-3520Q ■	AI-3524Q ■	AI-3522Q ■	AI-3525Q ■	AI-3526Q ■
AI-3512Q ■	AI-3516Q ■	AI-3517Q ■		AI-3512Q ■	AI-3516Q ■	AI-3517Q ■		AI-3512Q ■	AI-3516Q ■	AI-3517Q ■	AI-3521Q ■		AI-3523Q ■		
AI-3513Q ■	AI-3514QD ■	AI-3519Q ■		AI-3513Q ■	AI-3514QD ■	AI-3519Q ■		AI-3513Q ■	AI-3514QD ■	AI-3519Q ■					
	AI-3516QD ■				AI-3516QD ■				AI-3516QD ■						

## Valves G1/8 with manual operation

### ■ Push-pull

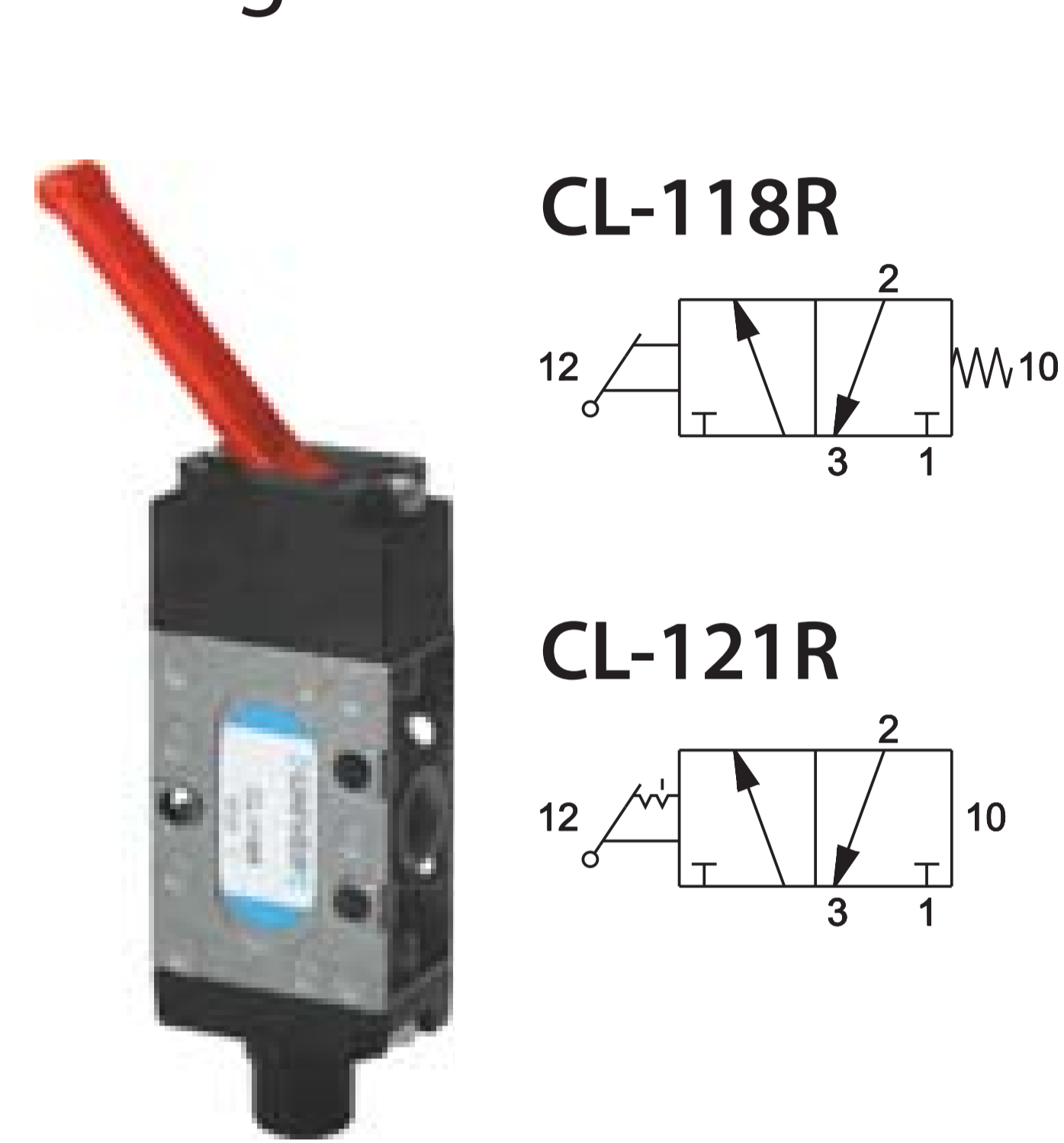


Valves are supplied without operator

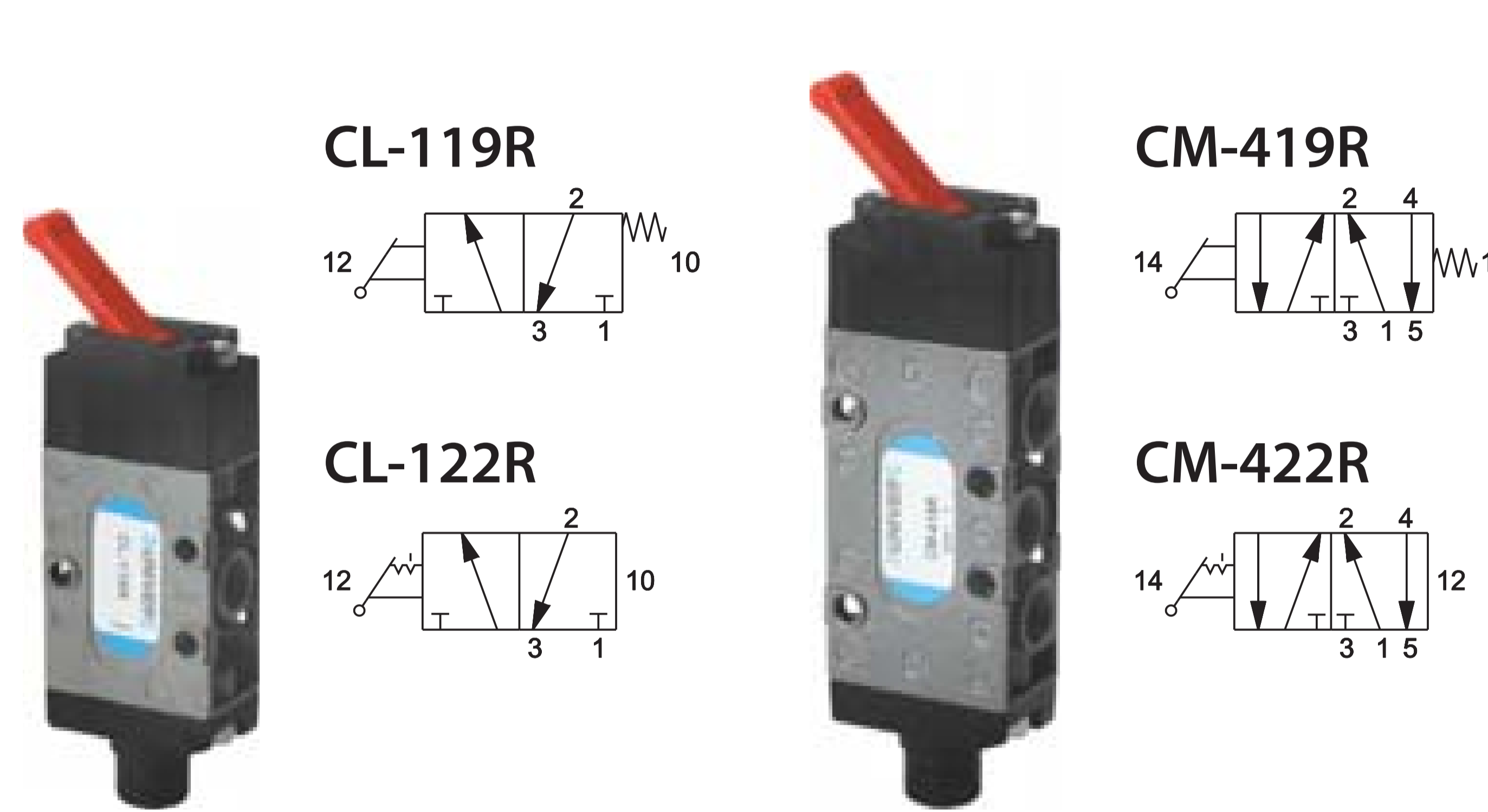


- YELLOW  
CP-911G
- RED  
CP-911R
- BLACK  
CP-911N
- GREEN  
CP-911V

### ■ Long lever



### ■ Short lever



### LONG LEVER

STANDARD

- RED

UPON REQUEST

- YELLOW
- BLACK

### SHORT LEVER

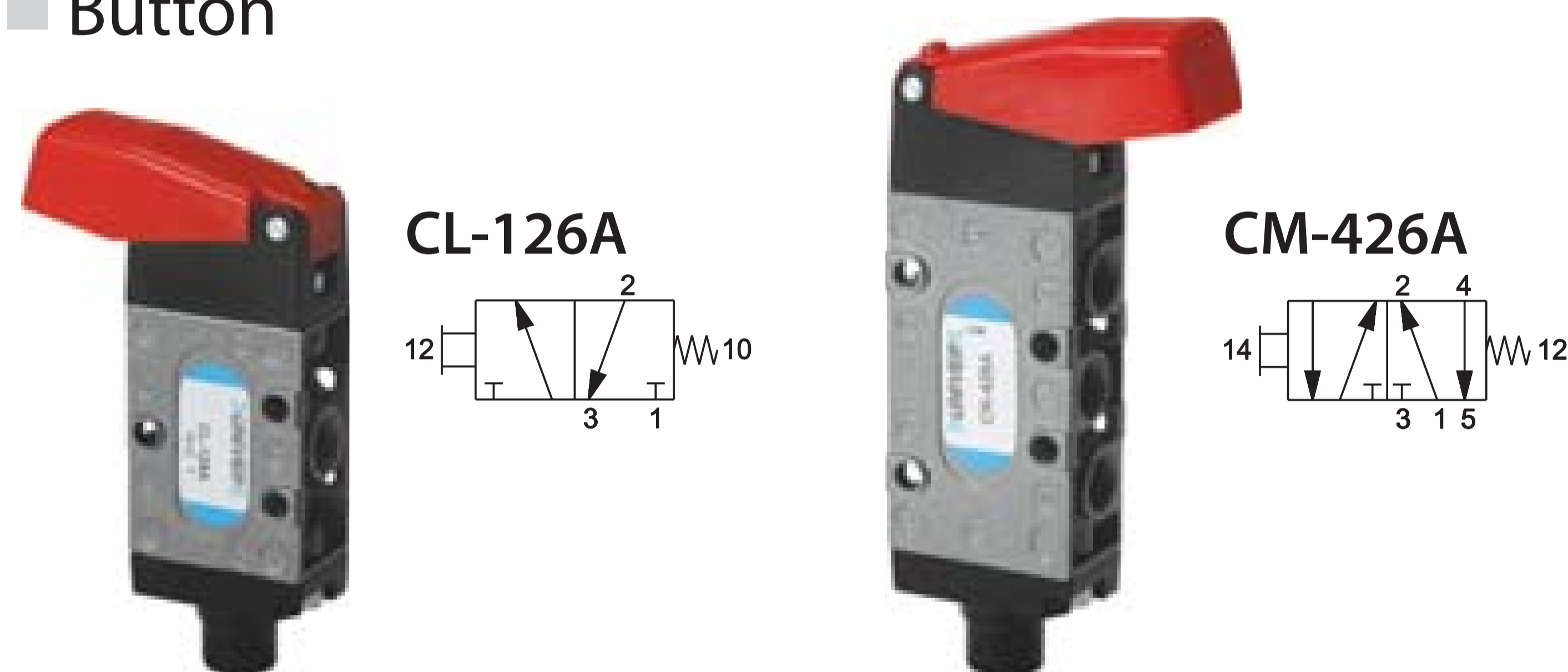
STANDARD

- RED

UPON REQUEST

- YELLOW
- BLACK
- GREEN

### ■ Button



### STANDARD

- RED

### ■ Rotating lever



Valves are supplied without operator

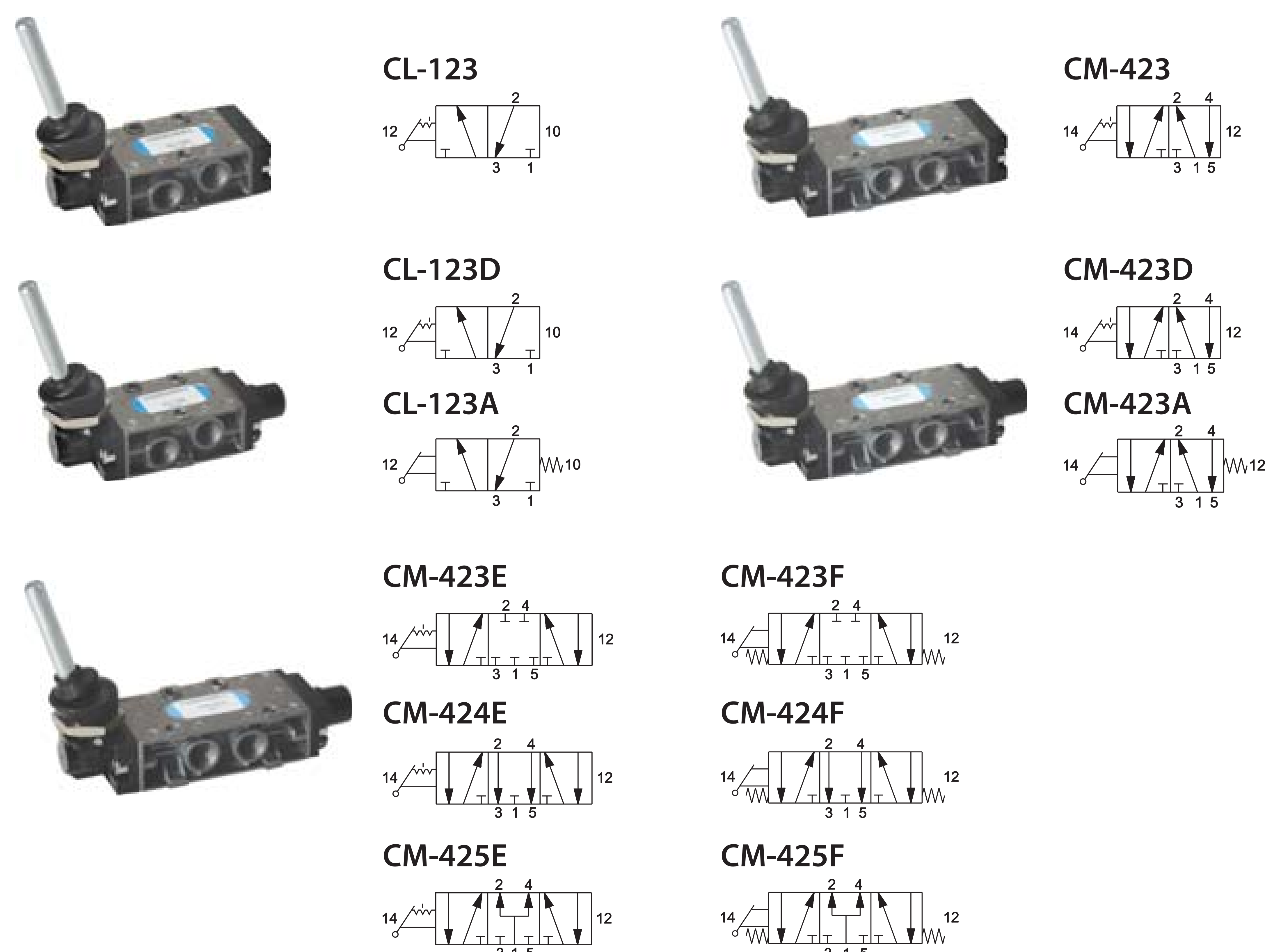


- RED  
CP-915R



- RED  
CP-916R

### ■ 90° Lever



Valves are supplied without operator

### LONG LEVER



- RED  
CP-913R

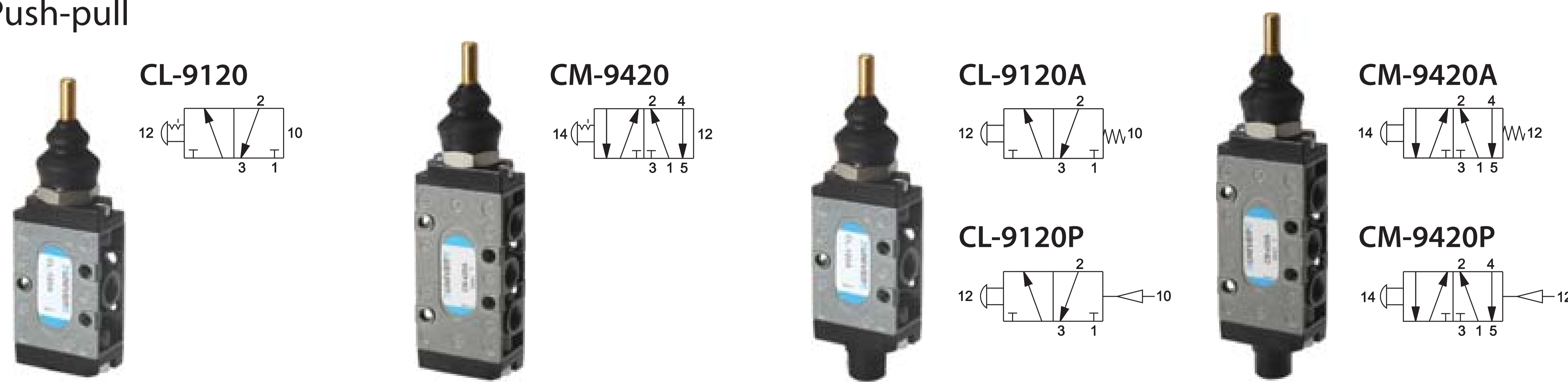
### SHORT LEVER



- YELLOW  
CP-912G
- RED  
CP-912R
- BLACK  
CP-912N

## Valves G1/4 with manual operation

### ■ Push-pull

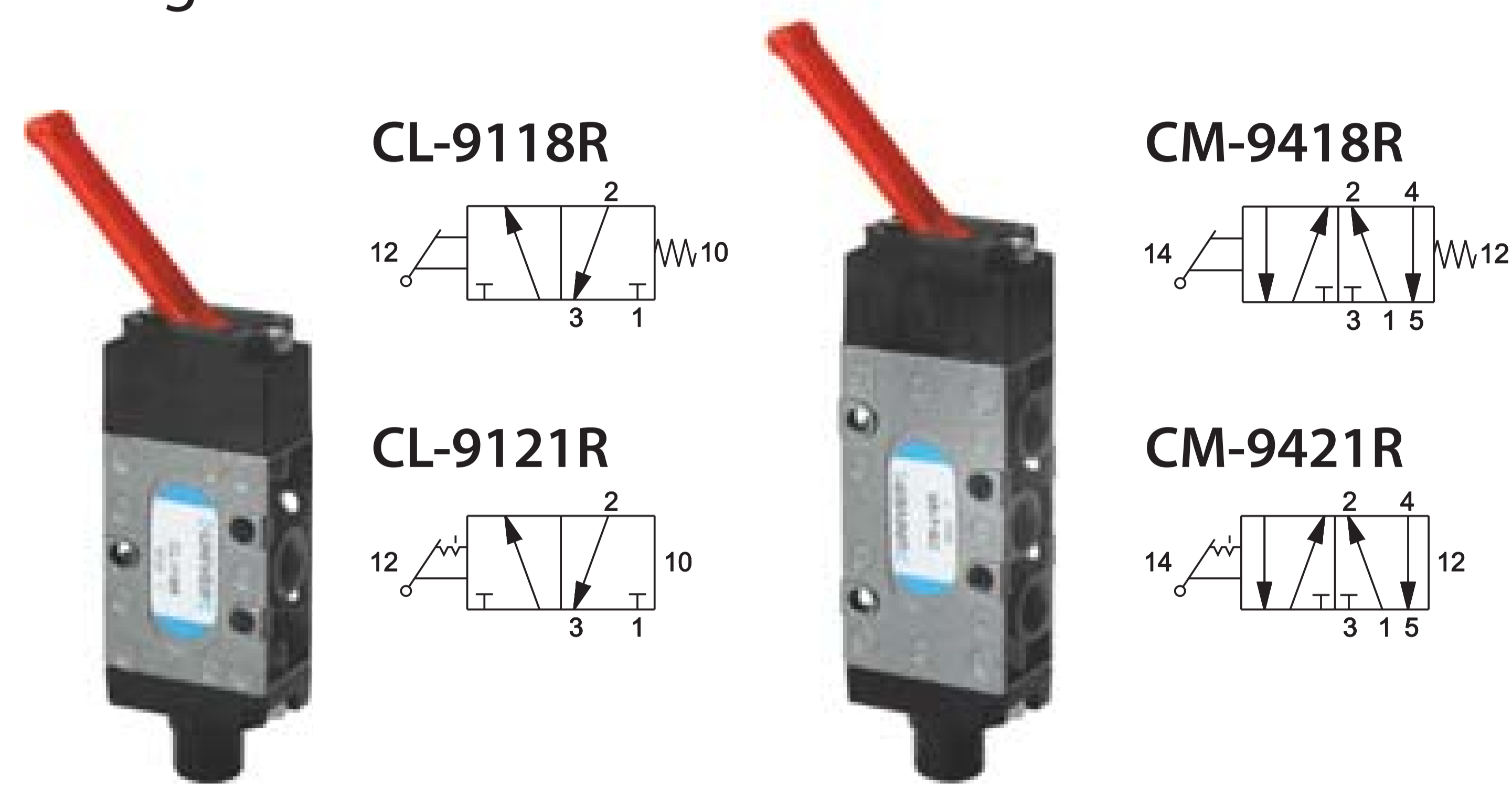


Valves are supplied without operator



- YELLOW  
CP-911G
- RED  
CP-911R
- BLACK  
CP-911N
- GREEN  
CP-911V

### ■ Long lever



STANDARD  
■ RED

UPON REQUEST  
■ YELLOW  
■ BLACK

### ■ Rotating lever



Valves are supplied without operator

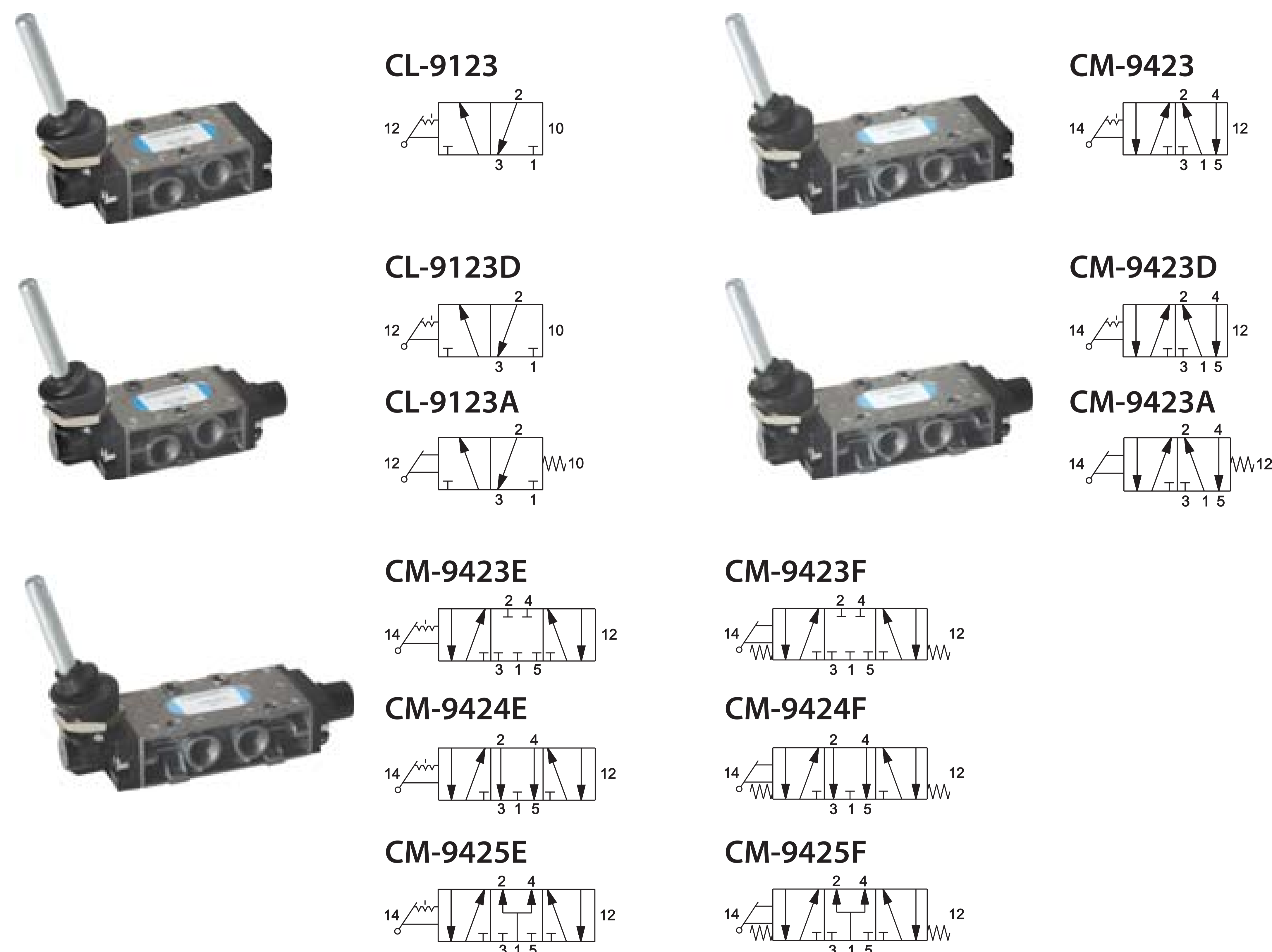


■ RED  
CP-915R



■ RED  
CP-916R

### ■ 90° Lever



Valves are supplied without operator

LONG LEVER



■ RED  
CP-913R

SHORT LEVER



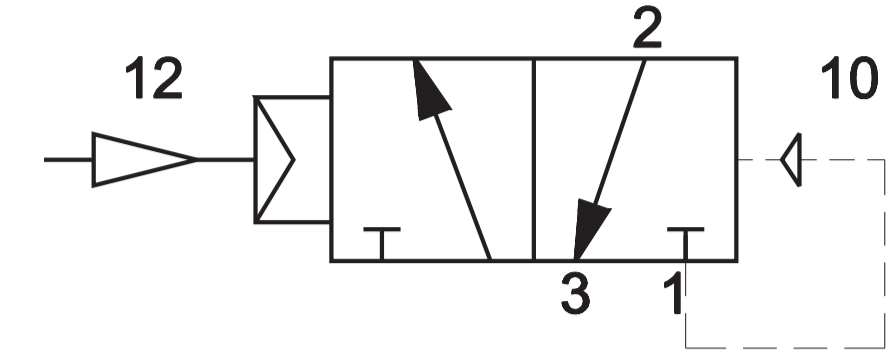
■ YELLOW  
CP-912G  
■ RED  
CP-912R  
■ BLACK  
CP-912N

## Valves G1/8 - G1/4 with pneumatic operation

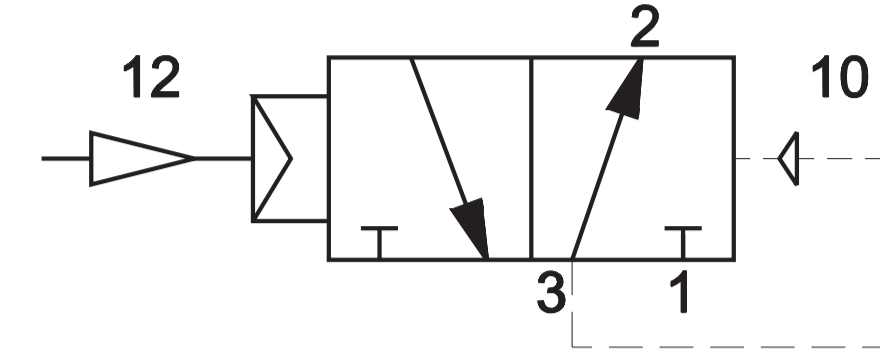
### Single impulse



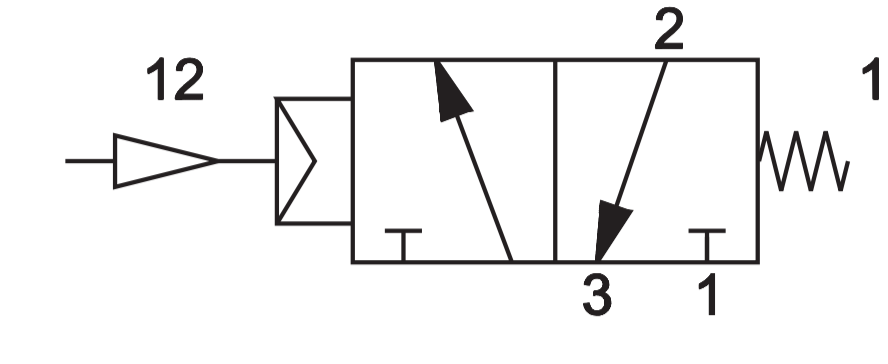
CL-200 G1/8  
CL-9200 G1/4



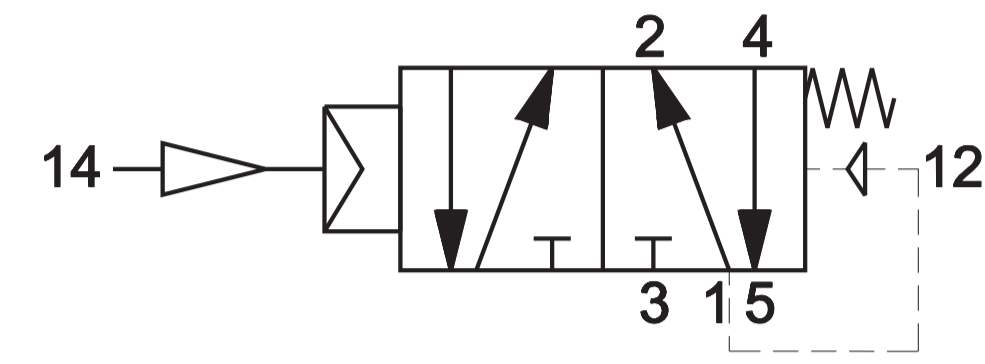
CL-203 G1/8  
CL-9203 G1/4



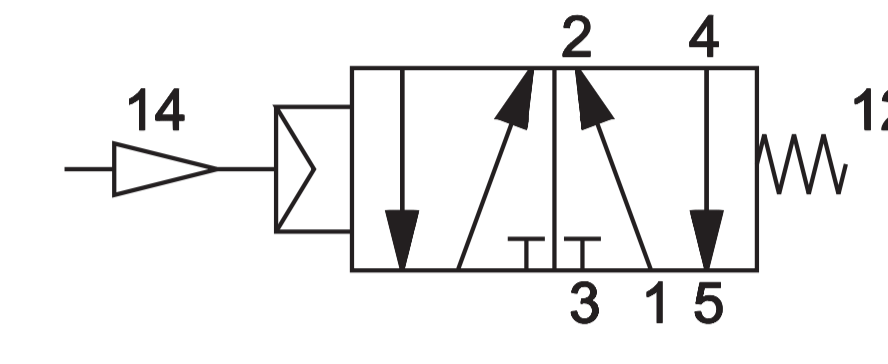
CL-200A G1/8  
CL-9200A G1/4



CM-500 G1/8  
CM-9500 G1/4



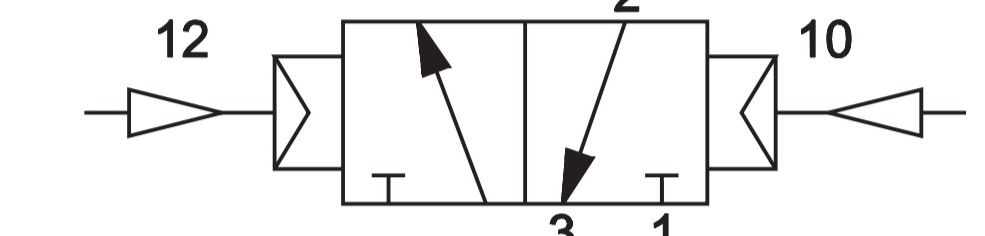
CM-500A G1/8  
CM-9500A G1/4



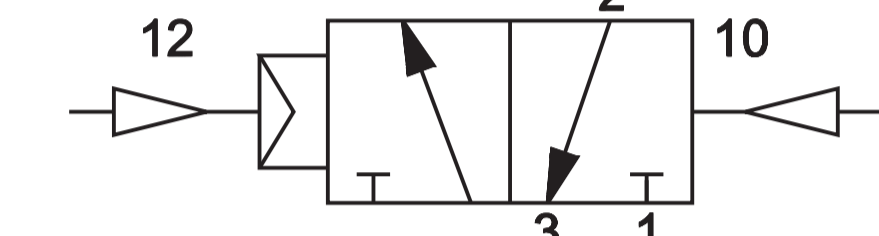
### Double impulse



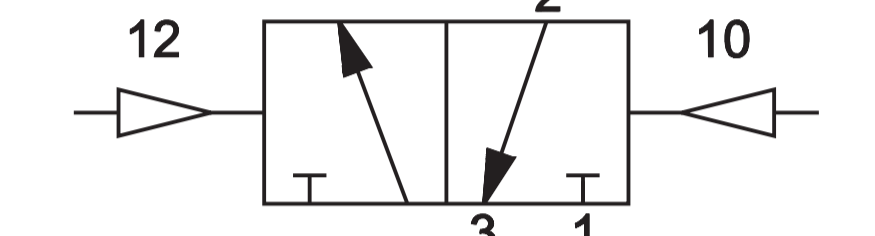
CL-220 G1/8  
CL-9220 G1/4



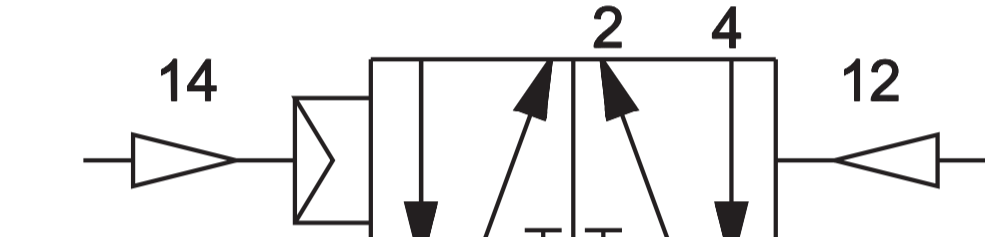
CL-221 G1/8  
CL-9221 G1/4



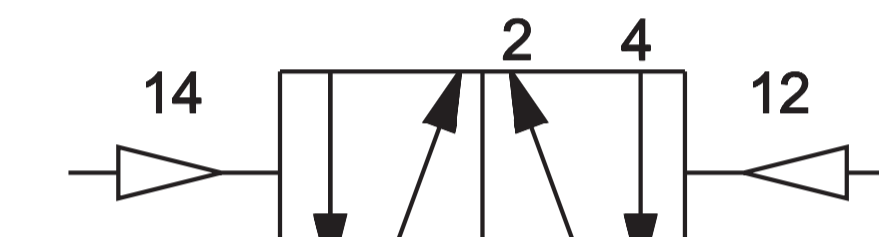
CL-224 G1/8  
CL-9224 G1/4



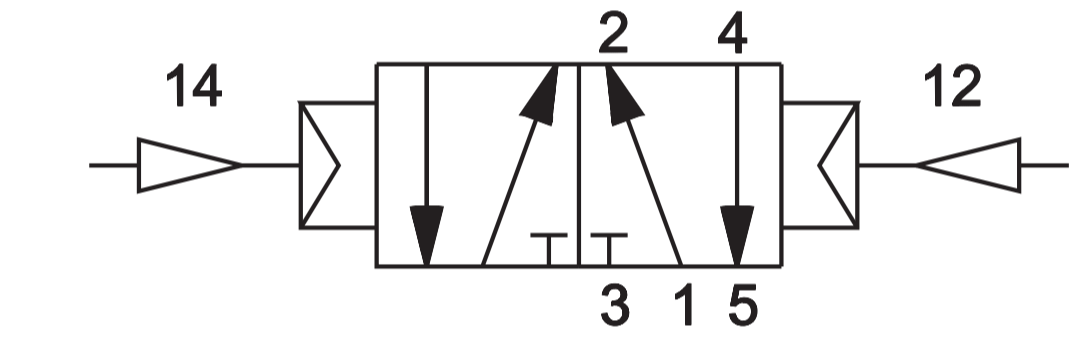
CM-521 G1/8  
CM-9521 G1/4



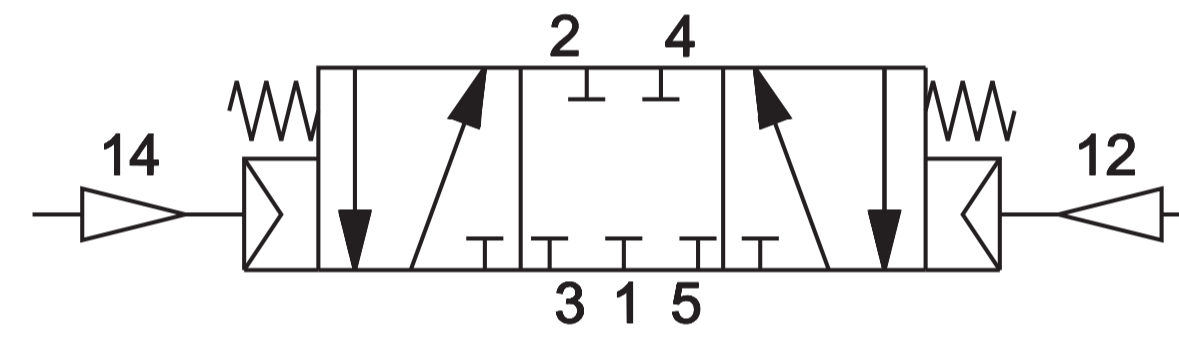
CM-524 G1/8  
CM-9524 G1/4



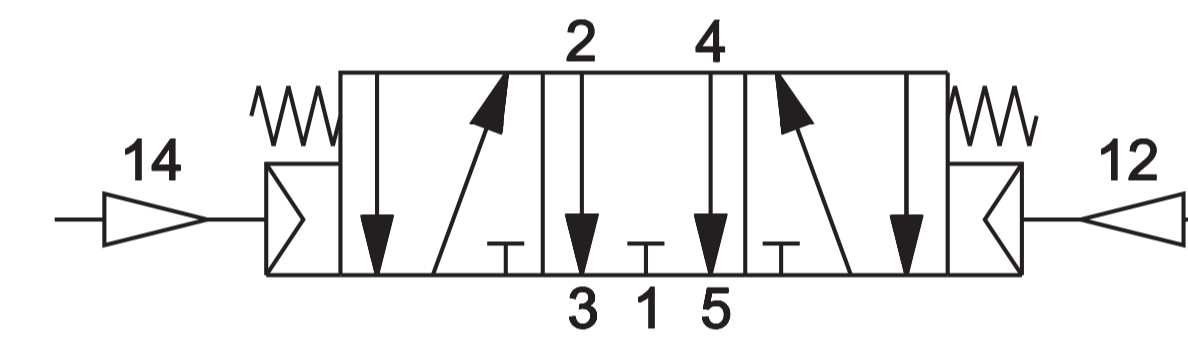
CM-520 G1/8  
CM-9520 G1/4



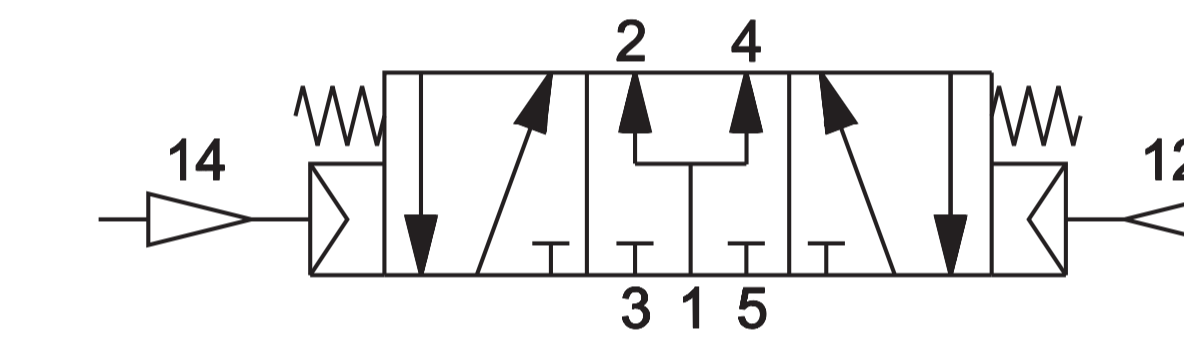
CM-580 G1/8  
CM-9580 G1/4



CM-585 G1/8  
CM-9585 G1/4



CM-590 G1/8  
CM-9590 G1/4

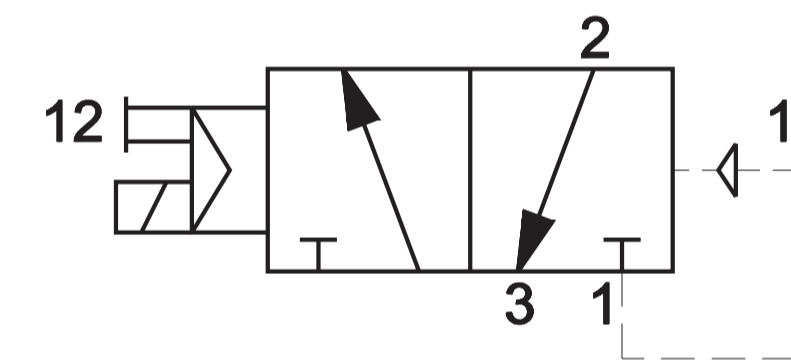


## Valves G1/8 - G1/4 with electrical operation

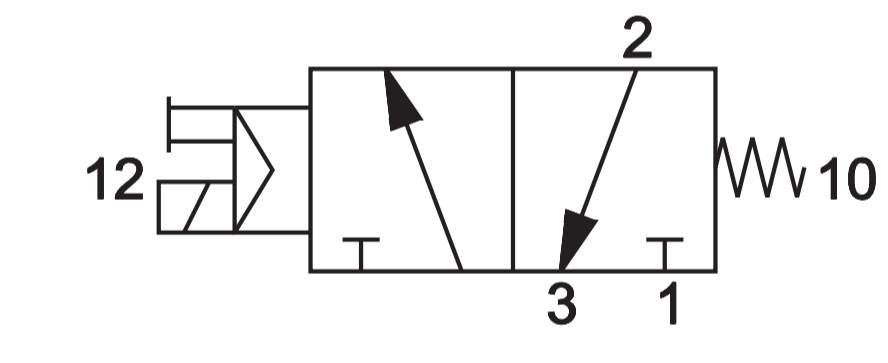
### Single impulse



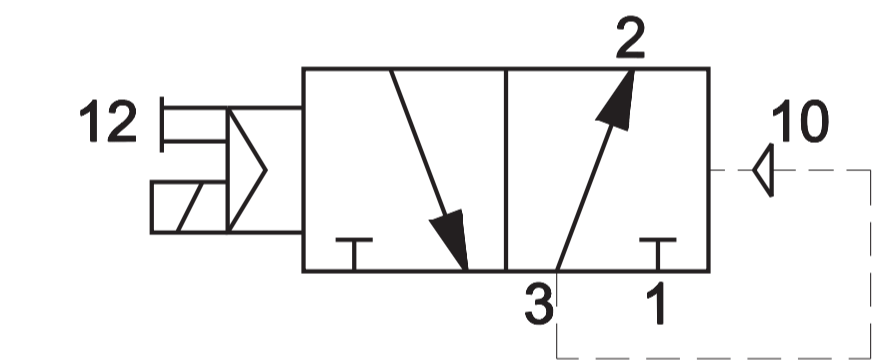
CL-300 G1/8  
CL-9300 G1/4



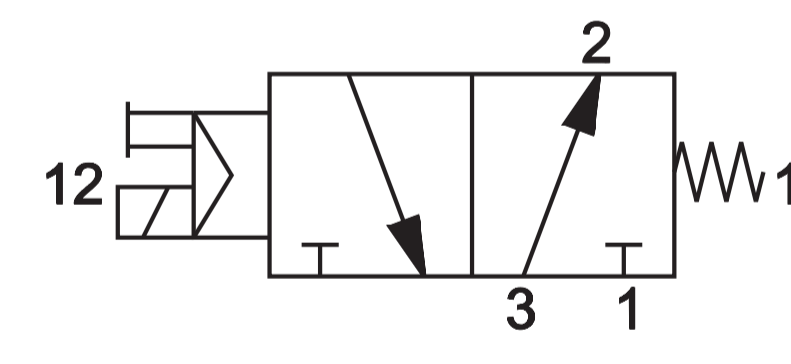
CL-302A G1/8  
CL-9302A G1/4



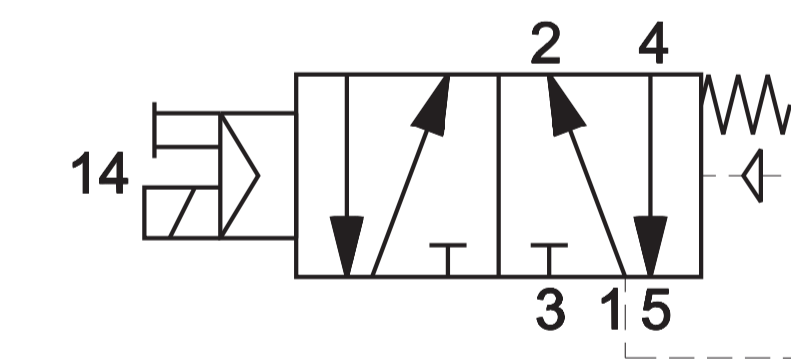
CL-301 G1/8  
CL-9301 G1/4



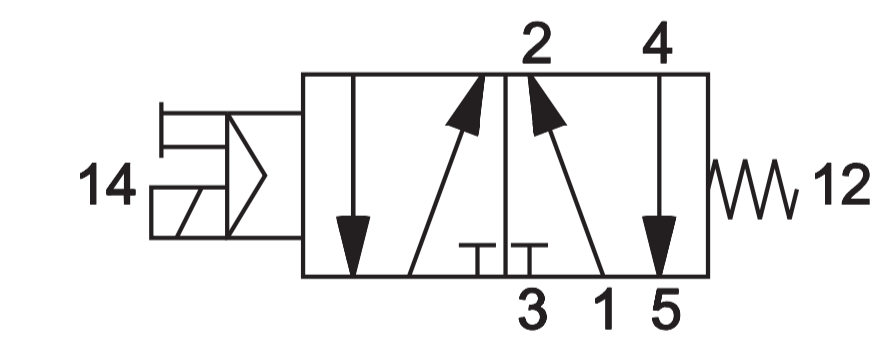
CL-303A G1/8  
CL-9303A G1/4



CM-600 G1/8  
CM-9600 G1/4



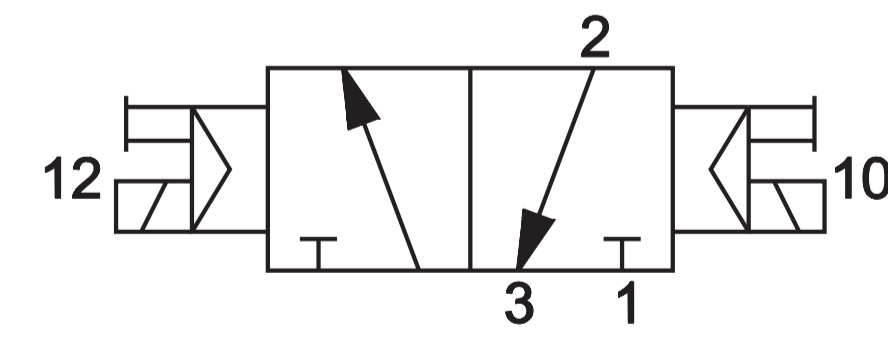
CM-602A G1/8  
CM-9602A G1/4



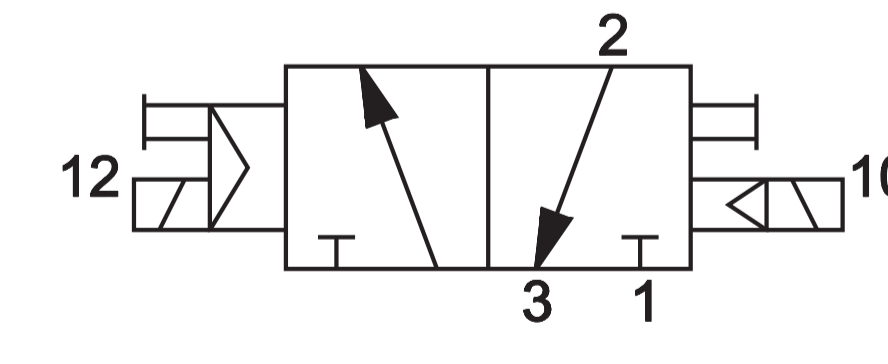
### Double impulse



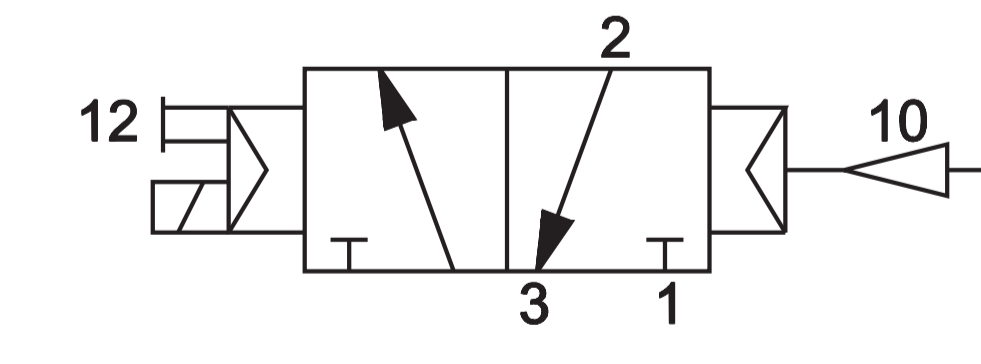
CL-320 G1/8  
CL-9320 G1/4



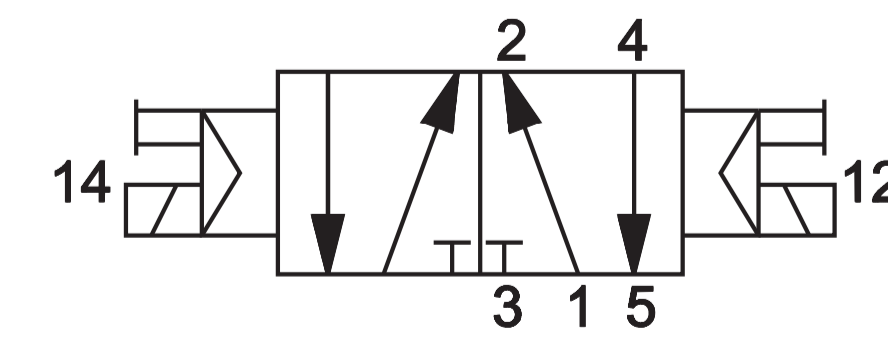
CL-321 G1/8  
CL-9321 G1/4



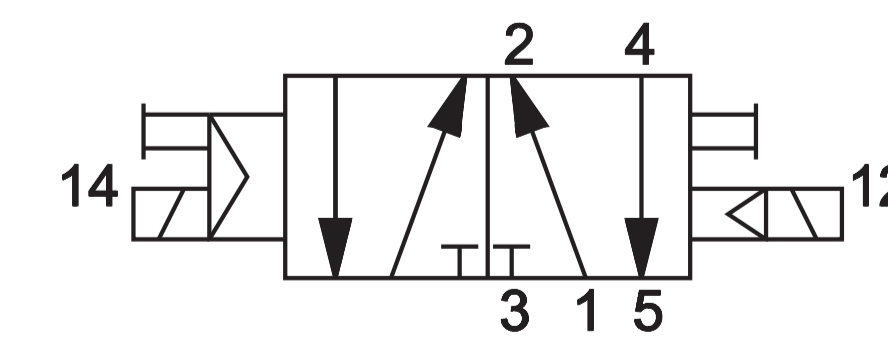
CL-322 G1/8  
CL-9322 G1/4



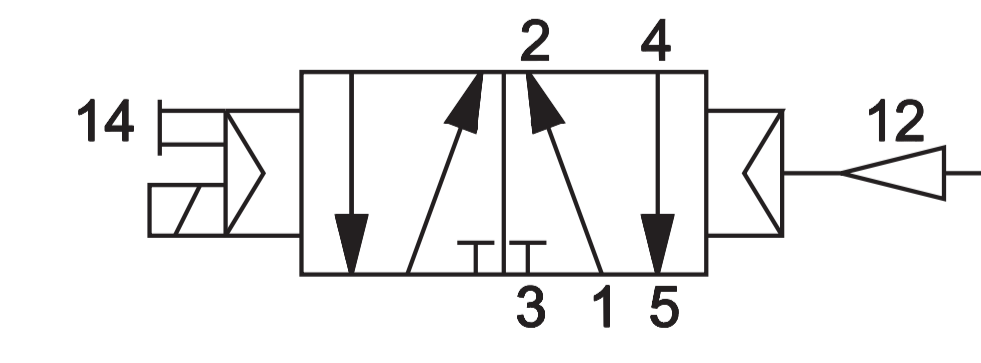
CM-620 G1/8  
CM-9620 G1/4



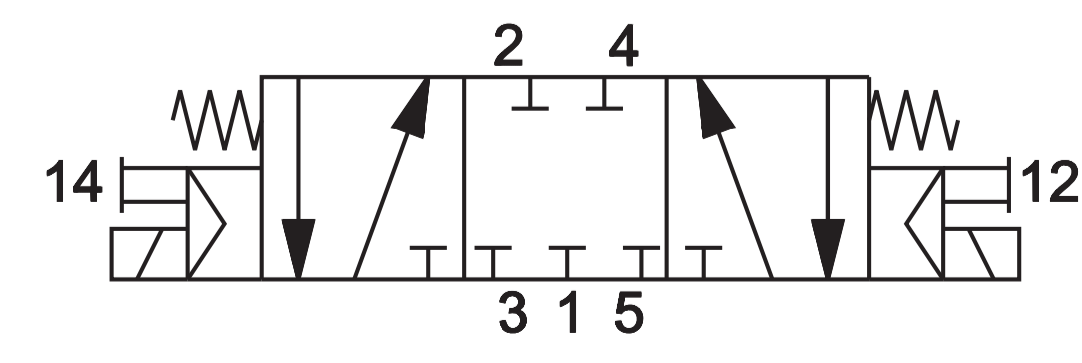
CM-621 G1/8  
CM-9621 G1/4



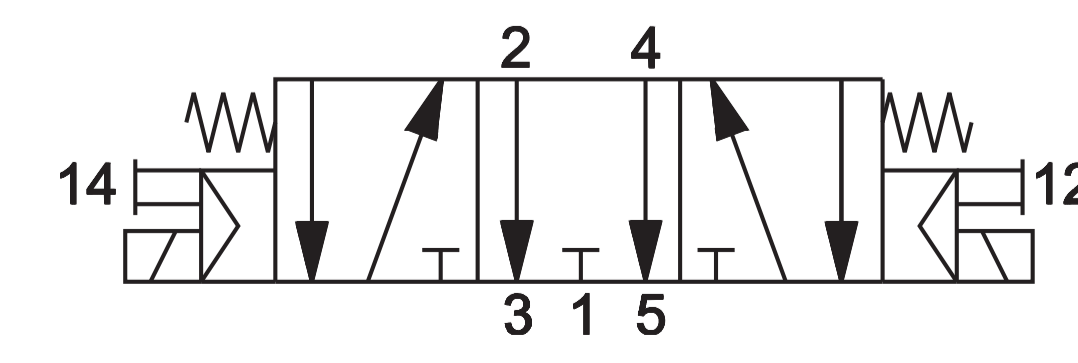
CM-622 G1/8  
CM-9622 G1/4



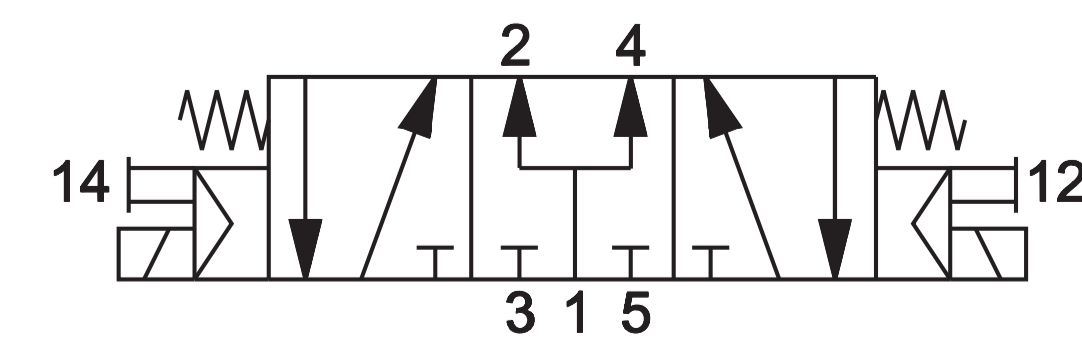
CM-680 G1/8  
CM-9680 G1/4



CM-685 G1/8  
CM-9685 G1/4



CM-690 G1/8  
CM-9690 G1/4



Solenoid valves are supplied without coil, connector and locking nut

AM-5148

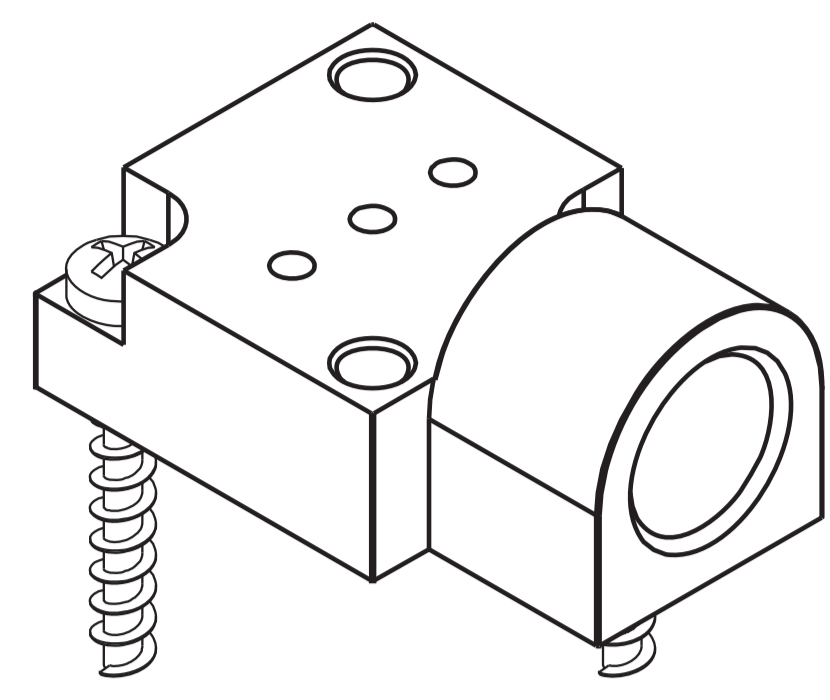
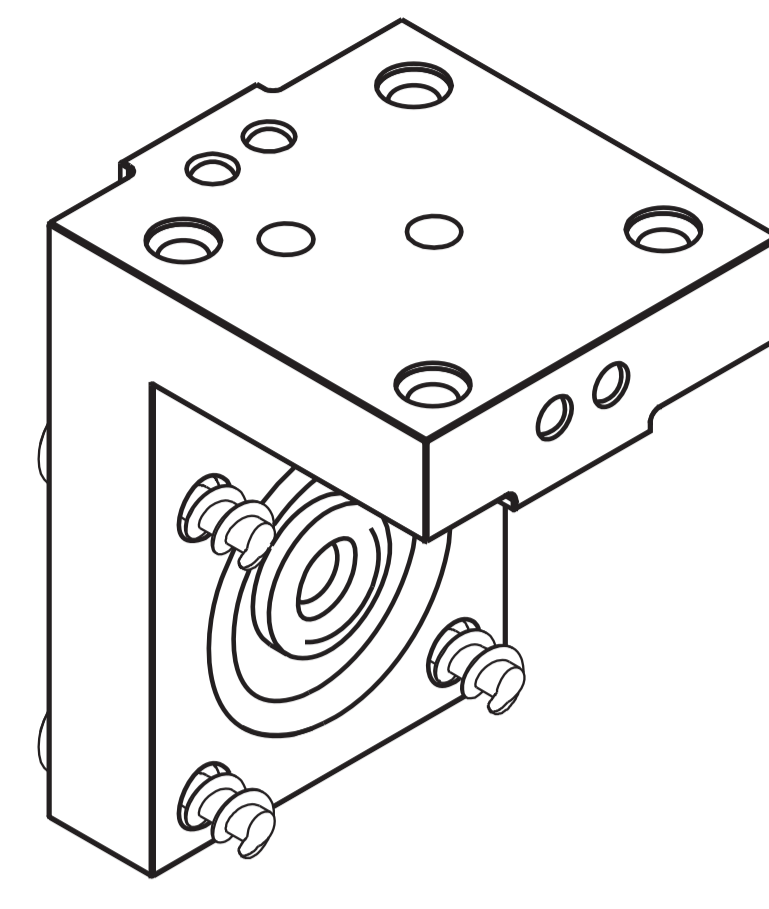


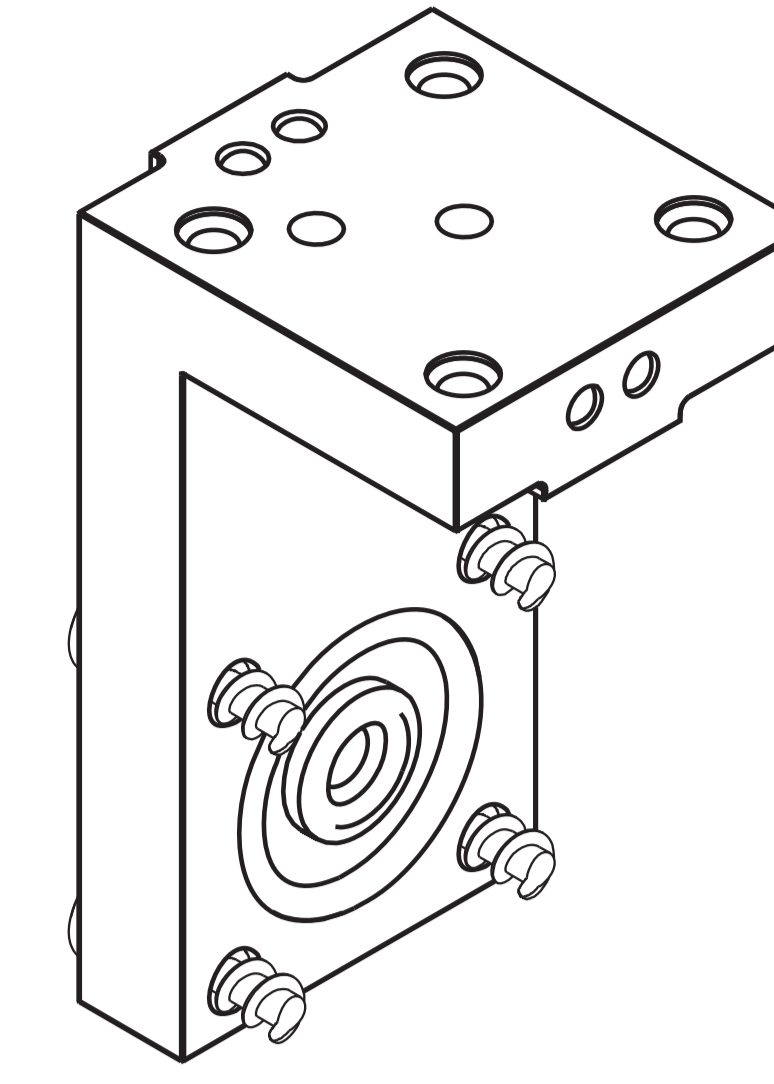
Plate for external pilot supply

AM-5151



Angle plate for "H" solenoid option

AM-5152



Angle plate for "P" solenoid option

## CLIPS Modular sub-base G1/8 - G1/4 for 3/2 - 5/2 - 5/3 valves

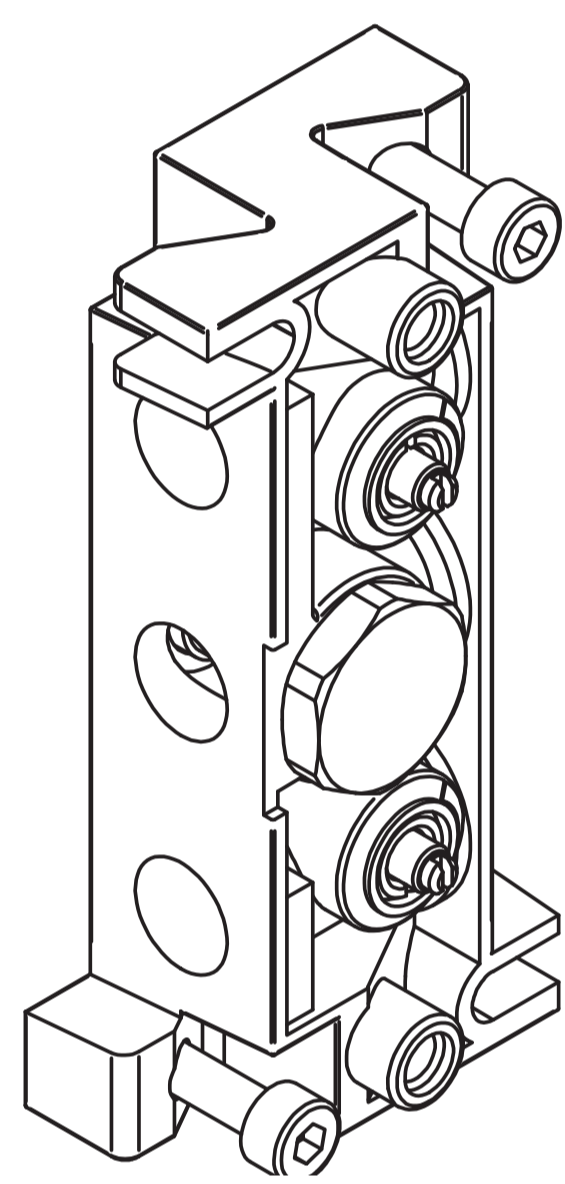


G1/8



G1/4

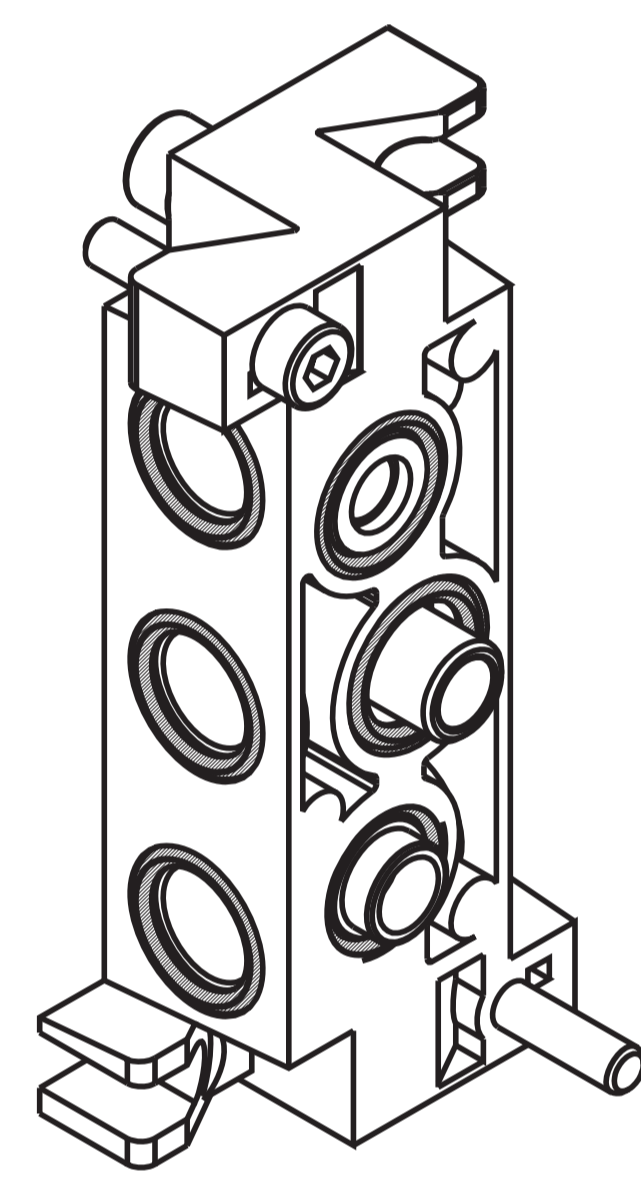
CP-100/CP-9100



modular sub-base with adjustable and conveyed exhausts  
**CP-100** for G1/8, **CP-9100** for G1/4  
material: zamak

standard supplied: screws, seals, exhaust regulator and coupling for valve fixing

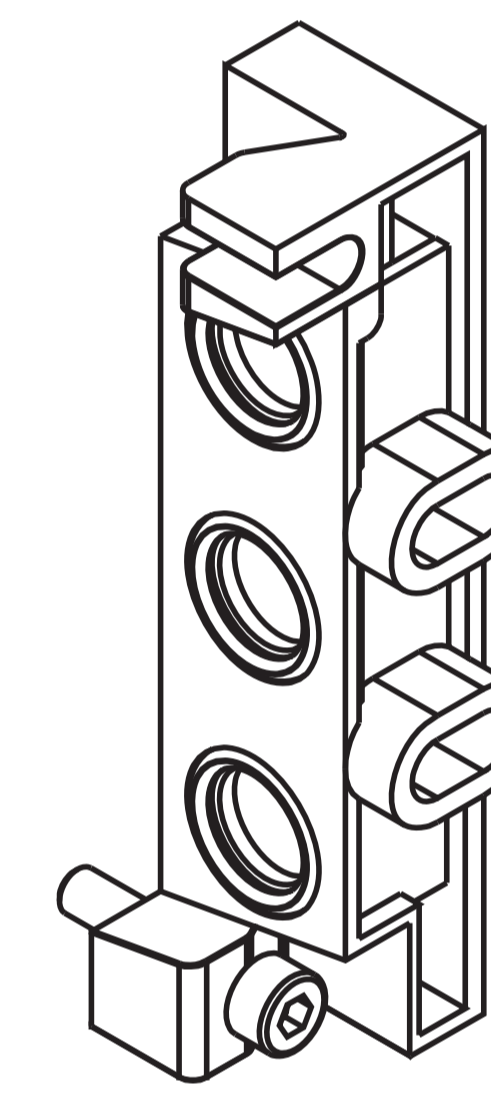
CP-101/CP-9101



modular sub-base without adjustable exhausts  
**CP-101** for G1/8, **CP-9101** for G1/4  
material: zamak

standard supplied: screws, seals and coupling for valve fixing

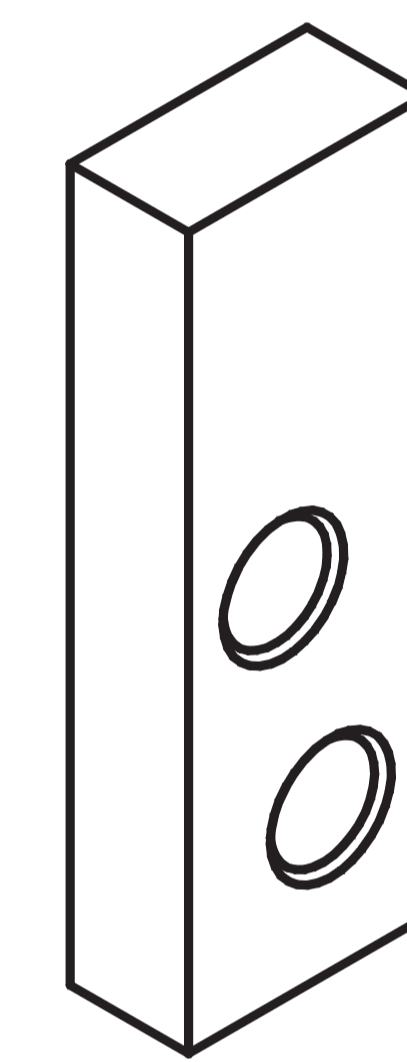
CP-105/CP-9105



side connection inlet plate  
**CP-105** G1/4, **CP-9105** G3/8  
material: zamak

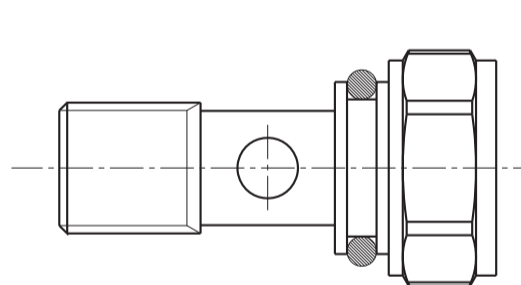
standard supplied: screws and seals

CP-106



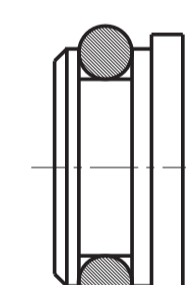
closing plate for unused place  
material: aluminium

CP-110/CP-9110



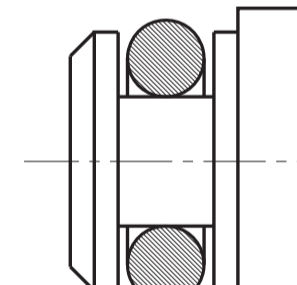
coupling  
connections: **CP-110** G1/8, **CP-9110** G1/4  
material: brass

CP-111/CP-9111



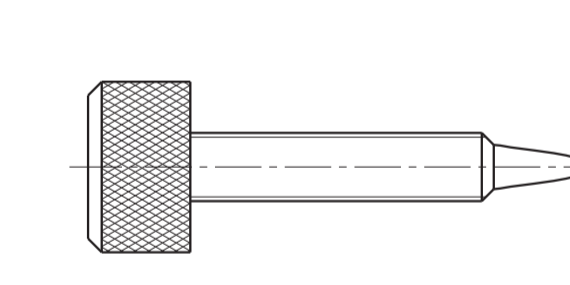
pressure separator  
**CP-111** for G1/8, **CP-9111** for G1/4  
material: aluminium

CP-112/CP-9112



plug for 3/2 valve mounting  
**CP-112** for G1/8, **CP-9112** for G1/4  
material: aluminium

CP-113/CP-9113

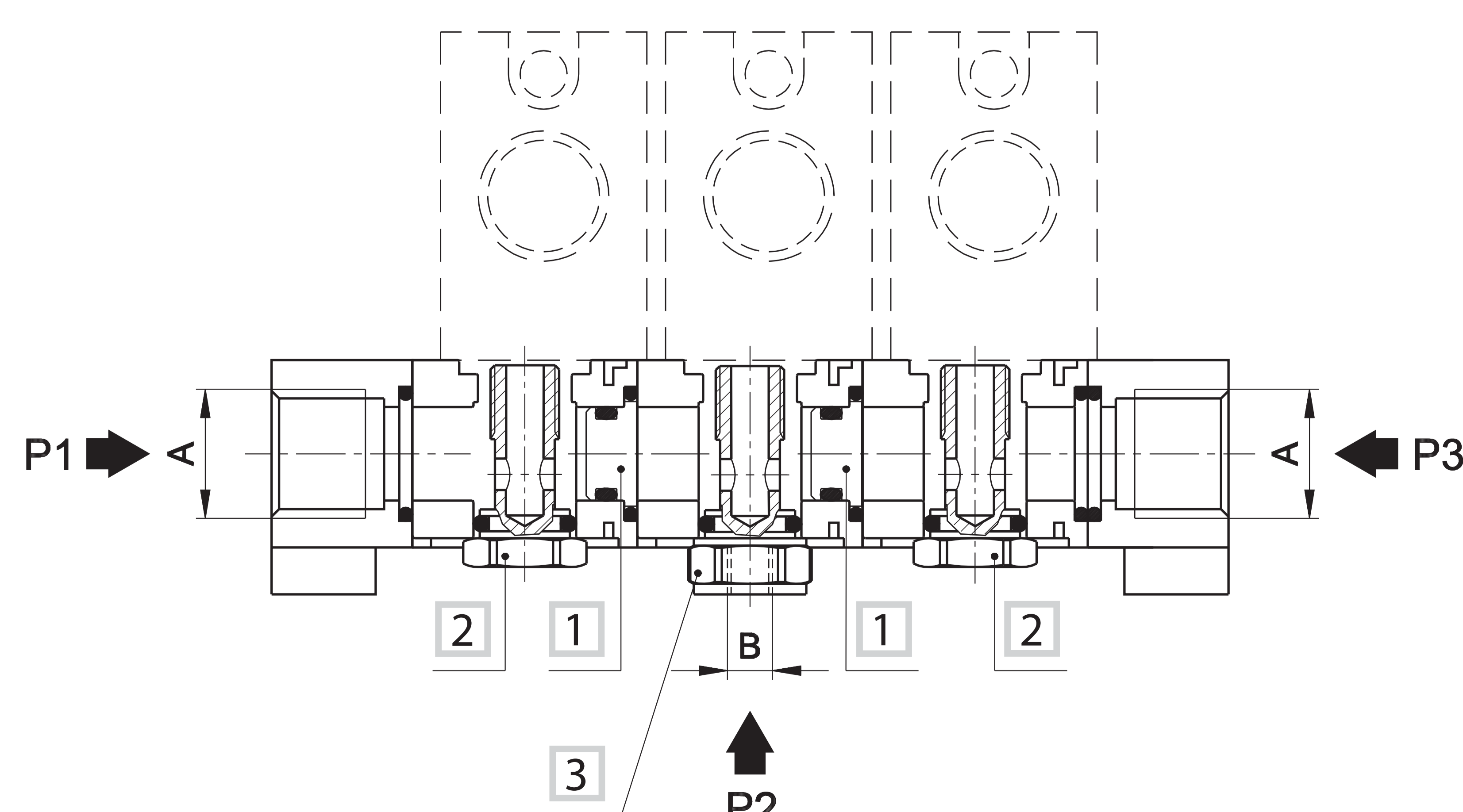


adjustment needle  
**CP-113** for G1/8, **CP-9113** for G1/4  
material: brass

For each additional pressure, one coupling and two separators are required

Plug for mounting 3/2 NC-NO valves on "CLIPS" sub-base to close unused way.  
Sub-base with adjustment screw (screwdriver slot) standard supplied.  
Upon request: adjustment needle with milled handle

### Assembly Example Manifold supplied by three different pressures



	A	B
G1/8	G1/4	G1/8
G1/4	G3/8	G1/4

- 1 Pressure separator CP-111/CP-9111
- 2 Fixing coupling for valve embodied in the sub-base
- 3 Coupling CP-110/CP-9110