

### CHARACTERISTICS

Ambient temperature	-10 ÷ +50 °C			
Fluid	50 µm filtered air (mixed system) 50 µm filtered air, with or without dehumidification (spool system)			
Commutation system	mixed and spool			
Max pressure	10 bar			
Connection	ISO 5599/1 interface			
	size 1	size 2	size 3	size 4
Nominal bore (mm)	8	10	15	19
Nominal flow rate (NI/min)	1480	2300	4200	6600
Valve body	acetalic resin with zamak cover			
Seals	nitrile rubber and polyurethane (mixed system), NBR (spool system)			
Electropilot/Coil	AA series/U3			
Power consumption	2,5 W (DC) - 5 VA (AC)			
Voltage	12 V DC - 24 V DC - 24 V AC - 110 V AC - 230 V AC			
Manual override	impulse screw - 2 positions (BE), recessed button - 1 position (BE12)			



### BE Single/double pneumatic impulse

	■ MIXED SYSTEM		size		size		size		
		BE-3100	1		BE-3150	1		BE-3170	1
		BE-4100	2		BE-4150	2		BE-4170	2
		BE-5100	3		BE-5150	3		BE-5170	3
		BE-6100	4		BE-6150	4		BE-6170	4
	■ SPOOL SYSTEM		size		size		size		
	BE-3800	1		BE-3850	1		BE-3870	1	
	BE-4800	2		BE-4850	2		BE-4870	2	
	BE-5800	3		BE-5850	3		BE-5870	3	
	BE-6800	4		BE-6850	4		BE-6870	4	

### BE Single electrical impulse

	■ MIXED SYSTEM		size		size	
		BE-3000	1		BE-3060	1
		BE-4000	2		BE-4060	2
		BE-5000	3		BE-5060	3
		BE-6000	4		BE-6060	4
	■ SPOOL SYSTEM		size		size	
	BE-3700	1		BE-3760	1	
	BE-4700	2		BE-4760	2	
	BE-5700	3		BE-5760	3	
	BE-6700	4		BE-6760	4	


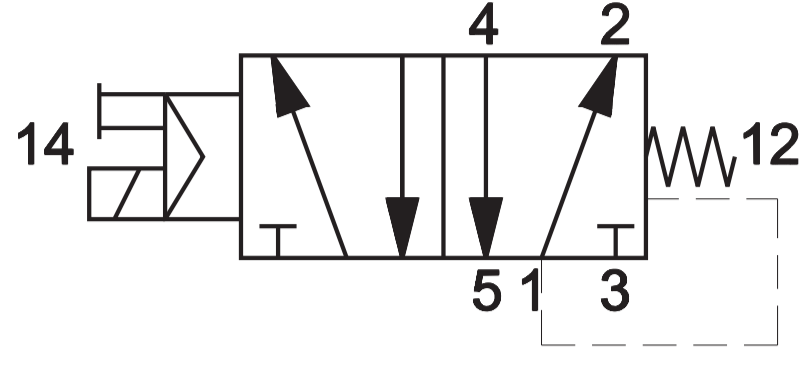
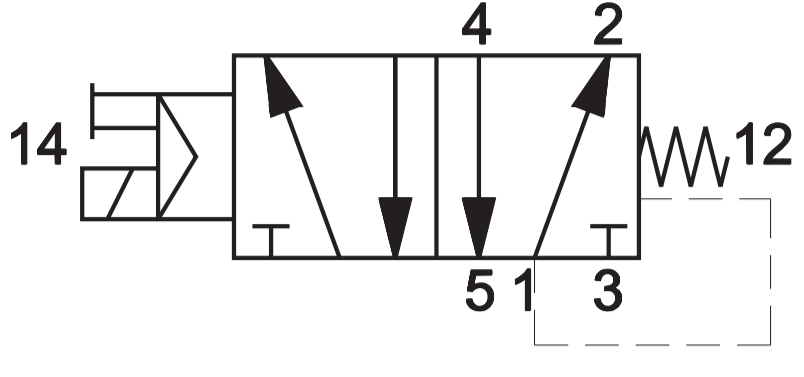
### BE Double electrical impulse

	■ MIXED SYSTEM		size		size	
		BE-3020	1		BE-3030	1
		BE-4020	2		BE-4030	2
		BE-5020	3		BE-5030	3
		BE-6020	4		BE-6030	4
			size		size	
		BE-3200	1		BE-3205	1
		BE-4200	2		BE-4205	2
		BE-5200	3		BE-5205	3
		BE-6200	4		BE-6205	4
	■ SPOOL SYSTEM		size		size	
		BE-3720	1		BE-3730	1
	BE-4720	2		BE-4730	2	
	BE-5720	3		BE-5730	3	
	BE-6720	4		BE-6730	4	
		size		size		
	BE-3900	1		BE-3940	1	
	BE-4900	2		BE-4940	2	
	BE-5900	3		BE-5940	3	
	BE-6900	4		BE-6940	4	


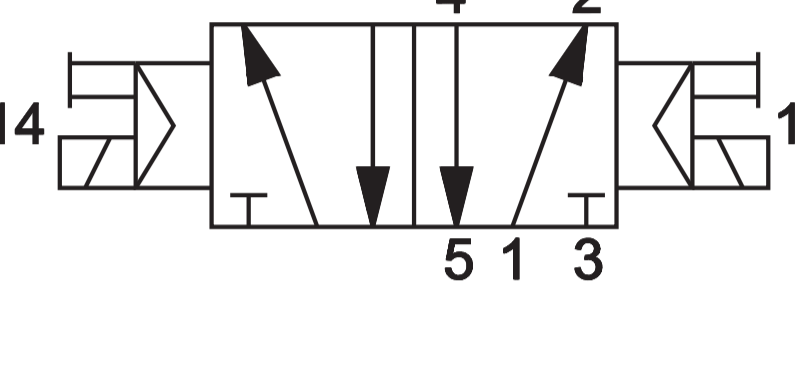
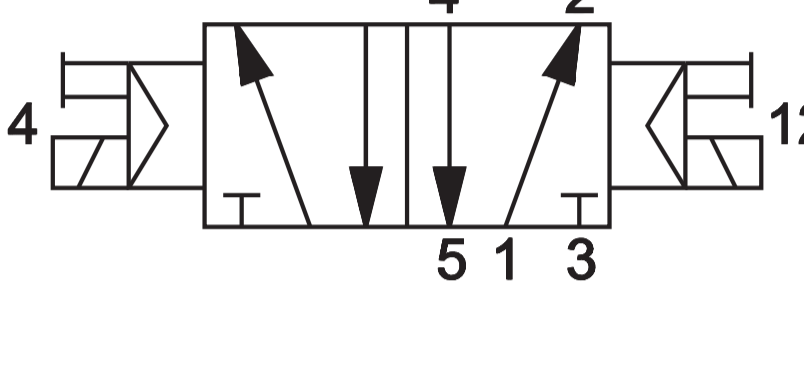
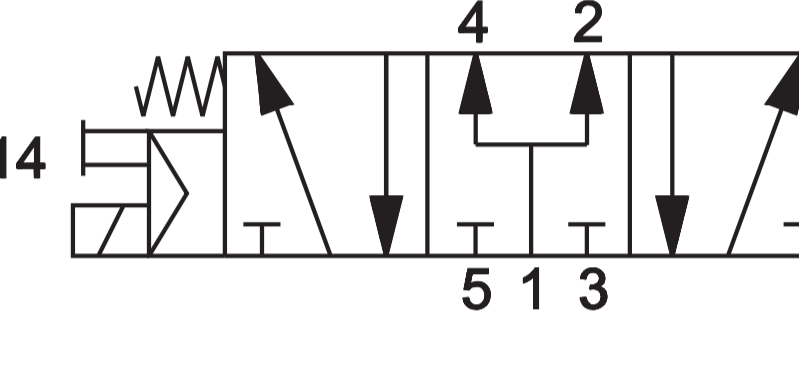
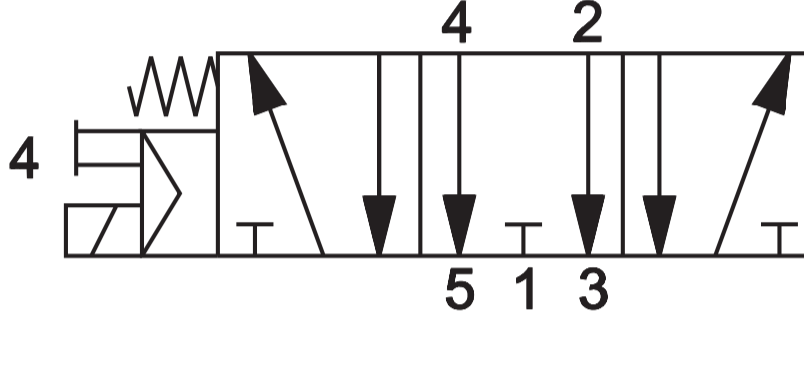
For versions with recessed button 1 position, add suffix U to part number







## BE12 Single electrical impulse

	■ MIXED SYSTEM		■ SPOOL SYSTEM	
		size		size
	BE12-3000 1 BE12-4000 2 BE12-5000 3		BE12-3700 1 BE12-4700 2 BE12-5700 3	

## BE12 Double electrical impulse

	■ MIXED SYSTEM		■ SPOOL SYSTEM		
		size		size	size
	BE12-3020 1 BE12-4020 2 BE12-5020 3		BE12-3720 1 BE12-4720 2 BE12-5720 3		BE12-3940 1 BE12-4940 2 BE12-5940 3
		size		size	
	BE12-3205 1 BE12-4205 2 BE12-5205 3		BE12-3900 1 BE12-4900 2 BE12-5900 3		

## Single sub-base, side connections

■ ISO 1		■ ISO 2		■ ISO 3		■ ISO 4	
	BF-1060 G1/8  BF-1061 G1/4		BF-1150 G1/4  BF-1151 G3/8		BF-3060 G1/2  BF-3061 G3/4		BF-4060 G3/4  BF-4061 G1

## Single sub-base, bottom connections

■ ISO 1		■ ISO 2	
	BF-1062 G1/8  BF-1063 G1/4		BF-1152 G1/4  BF-1153 G3/8
Single or Manifold with separate exhausts			
■ ISO 3		■ ISO 4	
	BF-3063 G3/4		BF-4062 G3/4  BF-4063 G1

## Manifold universal system sub-base, bottom and side connections, conveyed exhaust

■ ISO 1		■ ISO 2		■ ISO 3	
	BF-1071 G1/8 BF-1072 G1/4 BF-1071S G1/8 BF-1072S G1/4		BF-1160 G1/4  BF-1161 G3/8		BF-3071 G1/2  BF-3072 G3/4

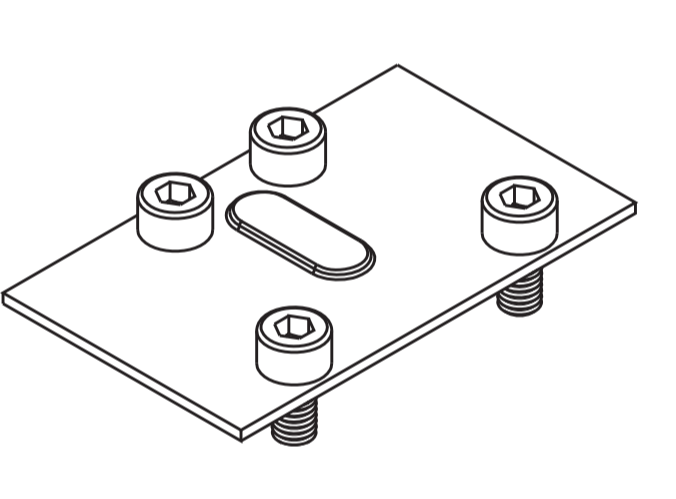
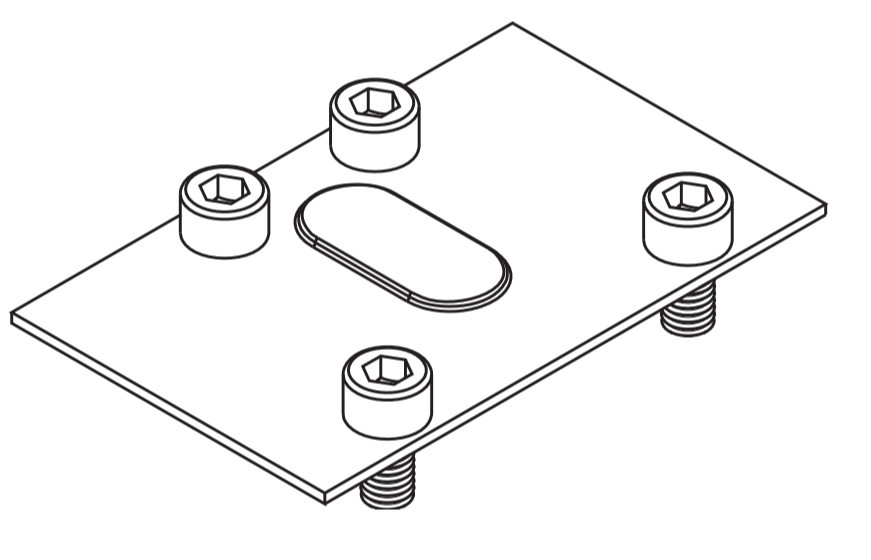
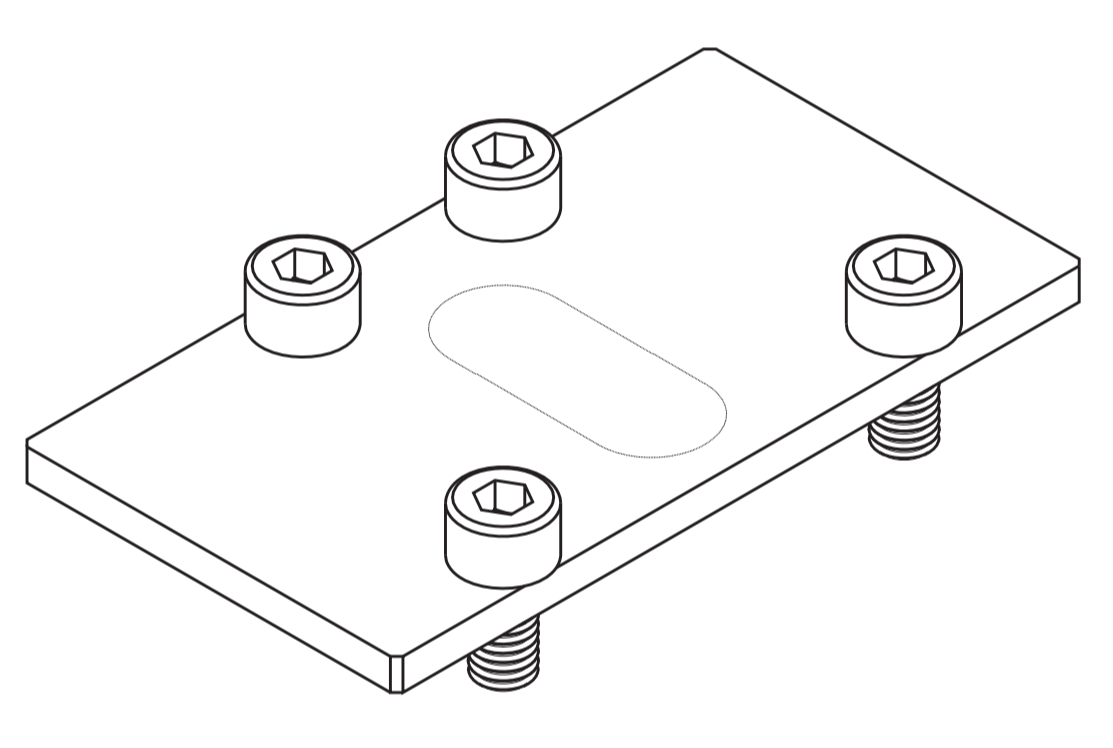
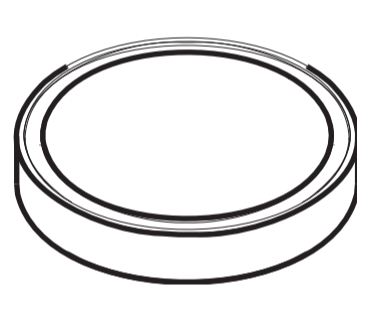


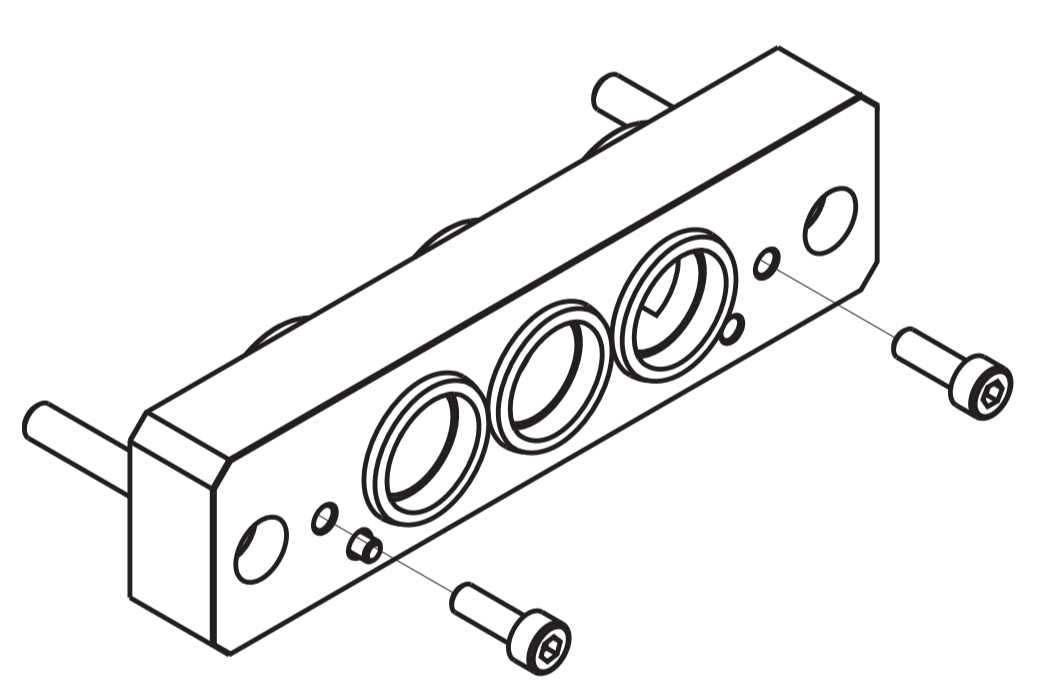
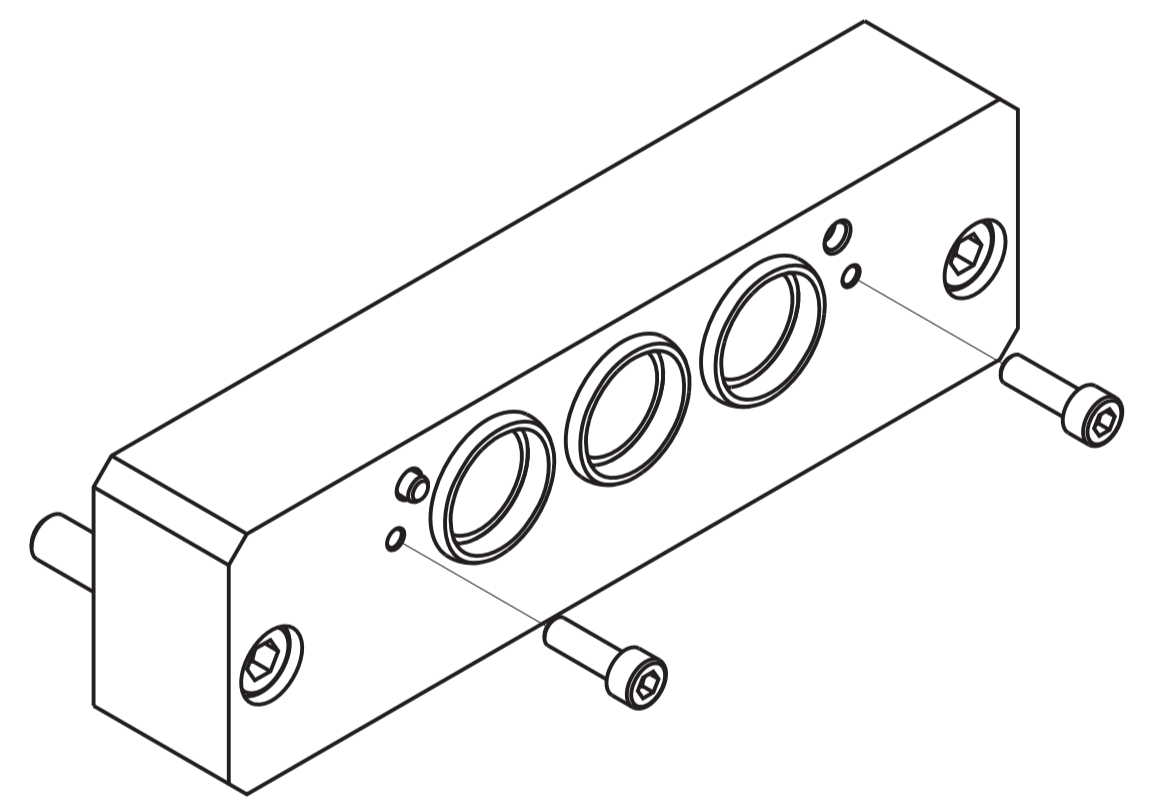
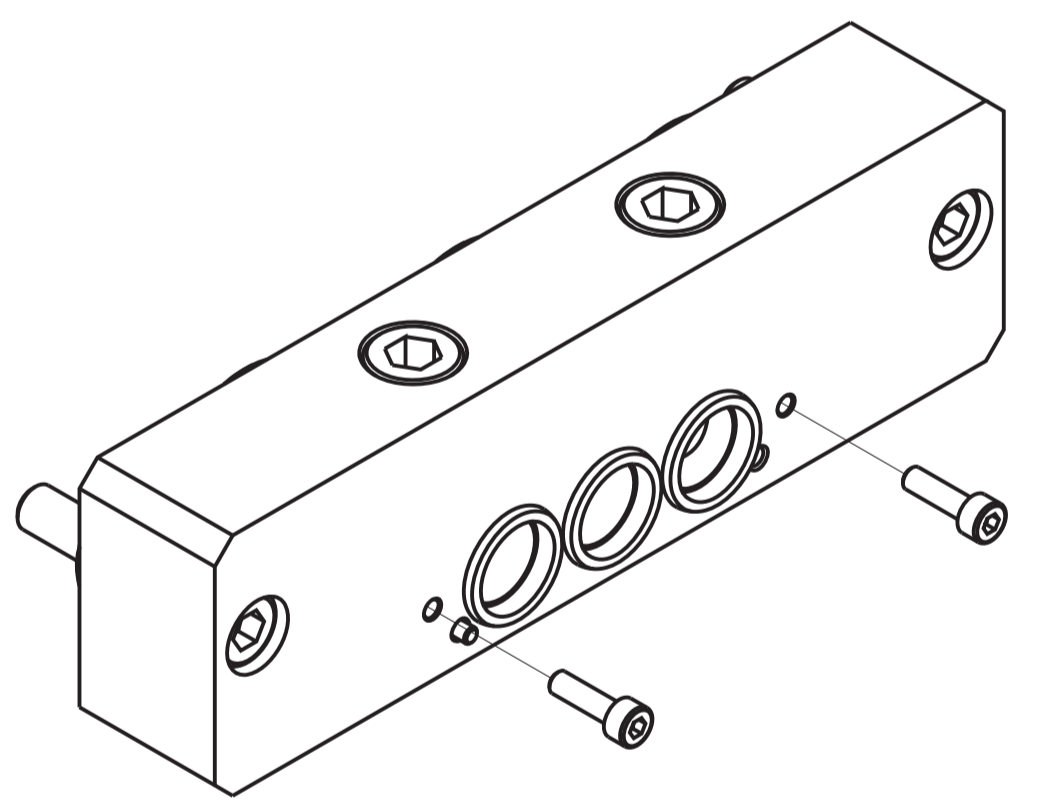
## Manifold universal system inlet plate

ISO 1	ISO 2	ISO 3
 <p><b>BF-1065</b> G3/8</p>	 <p><b>BF-1154</b> G1/2</p>	 <p><b>BF-3064</b> G1</p>
 <p><b>BF-1066</b> G3/8</p>	 <p><b>BF-1155</b> G1/2</p>	
 <p><b>BF-1068</b> G3/8</p>		

## Manifold universal system diaphragm

ISO 1	ISO 2
 <p><b>BF-1070</b></p>	 <p><b>BF-1162</b></p>

BF-1085	BF-1175	BF-3175	BF-3082
			
closing plate for ISO 1 sub-base	closing plate for ISO 2 sub-base 2	closing plate for ISO 3 sub-base 3	universal system plug for ISO 3 sub-base

BF-1190	BF-3190	BF-3191
		
connecting interface for universal sub-bases size 1 - 2	connecting interface for universal sub-bases size 2 - 3	connecting interface for universal sub-bases size 1 - 3