

MIXED SYSTEM



For heavy applications
Fast commutation
Large number of cycles
High flow rate



AC 7

G1/8



1080
NI/min

AC 8

G1/4



1600
NI/min

AC 9

G1/2



4600
NI/min

Angle plate for "H"
solenoid option



Angle plate for "P"
solenoid option



Plate for external pilot
supply



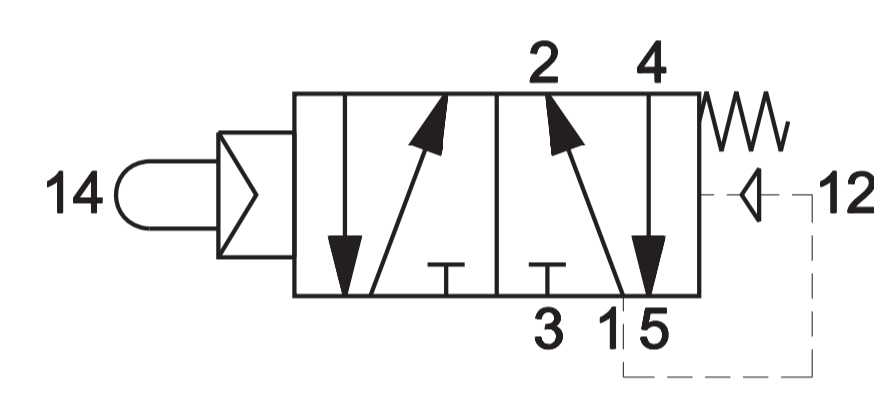
CHARACTERISTICS

Ambient temperature	-10 ÷ +45 °C		
Fluid	50 µm filtered air, with or without lubrication		
Commutation system	poppet mixed system		
Max pressure	10 bar		
Connections	G1/8	G1/4	G1/2
Nominal bore (mm)	6	8	15
Nominal flow rate (NI/min)	1080	1600	4600
Valve body	zamak	zamak	die-cast aluminium
Seals	NBR, polyurethane		
Spool	aluminium		
Electropilot	U1	U1	U2
Coil	DA	DA	DB
Power consumption	3,5 W (DC) - 5 VA (AC)	3,5 W (DC) - 5 VA (AC)	11 W (DC) - 10 VA (AC)
Connector	AM-5110	AM-5110	AM-5111
Voltage	12 V DC - 24 V DC - 24 V AC - 110 V AC - 230 V AC		
Manual override	impulse screw - 2 positions		



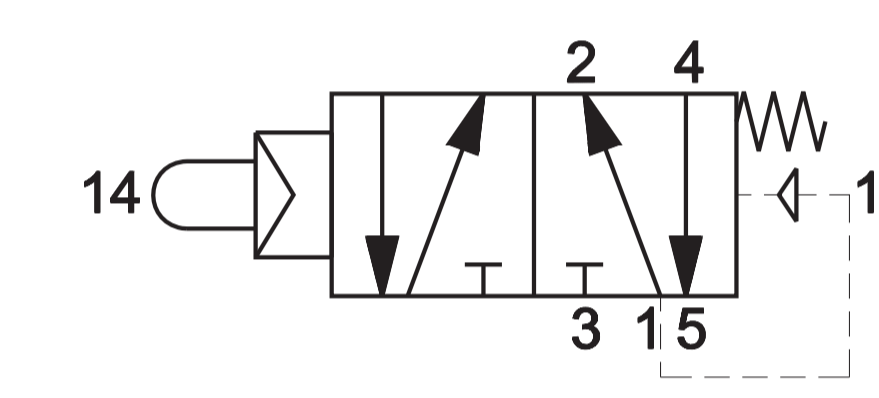
Indirect mechanical operation

■ Preset for pneumatic, mechanical and manual operators

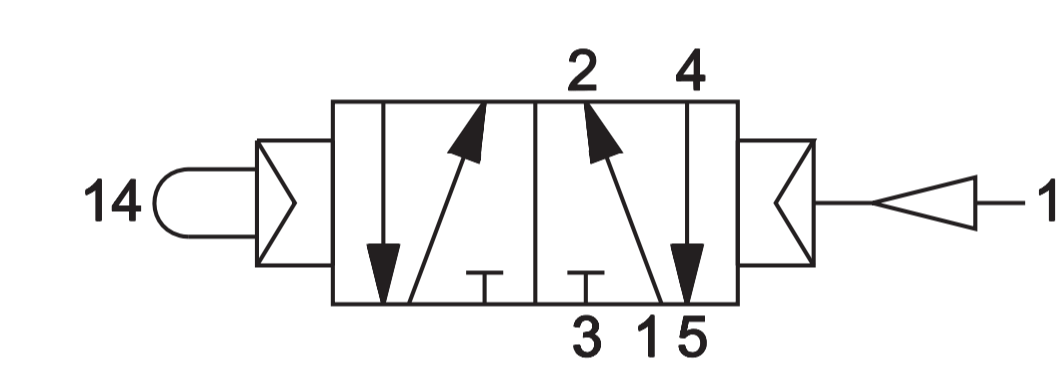


AC-7010 G1/8
AC-8010 G1/4
AC-9010 G1/2

■ Preset for panel operators Ø22



AC-7013 G1/8
AC-8013 G1/4
AC-9013 G1/2

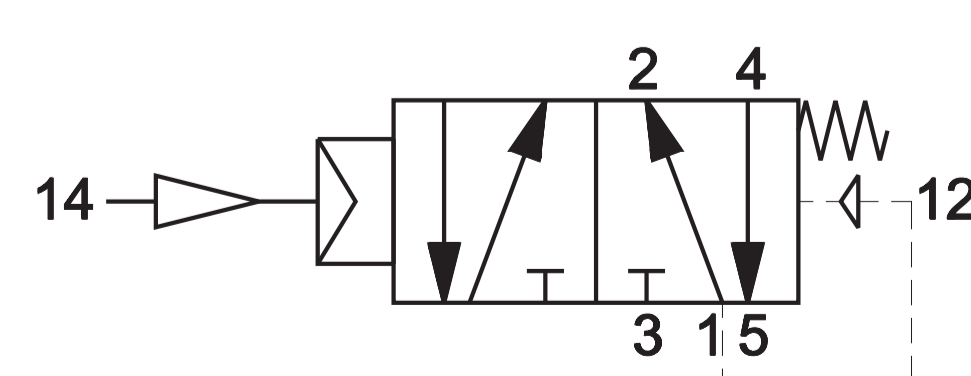


AC-7013P G1/8
AC-8013P G1/4
AC-9013P G1/2

AI-3550	AI-3551	AI-3560	AI-3562	AI-3563	AI-3570	AI-3571	AI-3572	AI-3511Q ■	AI-3514Q ■	AI-3515Q ■	AI-3520Q ■	AI-3522Q ■	AI-3524Q ■	AI-3525Q ■	AI-3526Q ■
								AI-3512Q ■	AI-3516Q ■	AI-3517Q ■	AI-3521Q ■	AI-3523Q ■			
								AI-3513Q ■	AI-3514QD ■	AI-3519Q ■					
								AI-3516QD ■							
AI-3511 ■	AI-3514 ■	AI-3515 ■	AI-3520 ■	AI-3522 ■	AI-3524 ■	AI-3525 ■	AI-3526 ■								
AI-3512 ■	AI-3516 ■	AI-3517 ■	AI-3521 ■	AI-3523 ■											
AI-3513 ■	AI-3514D ■	AI-3519 ■													
	AI-3516D ■														

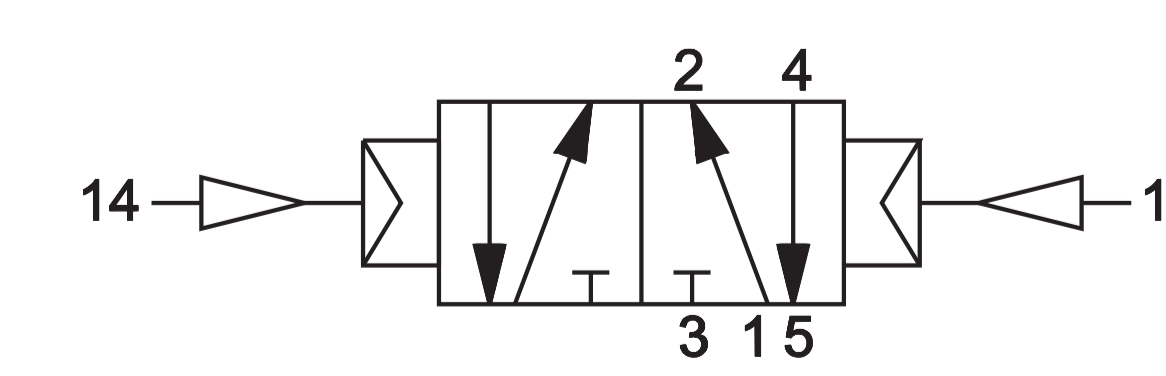
Pneumatic impulse

■ Single impulse



AC-7100 G1/8
AC-8100 G1/4
AC-9100 G1/2

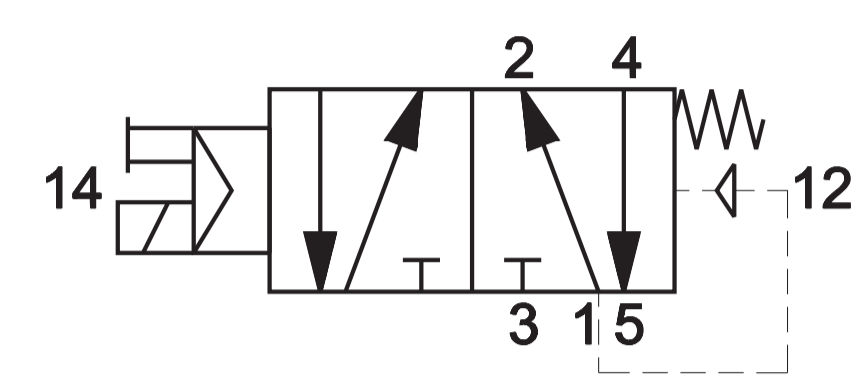
■ Double impulse



AC-7120 G1/8
AC-8120 G1/4
AC-9120 G1/2

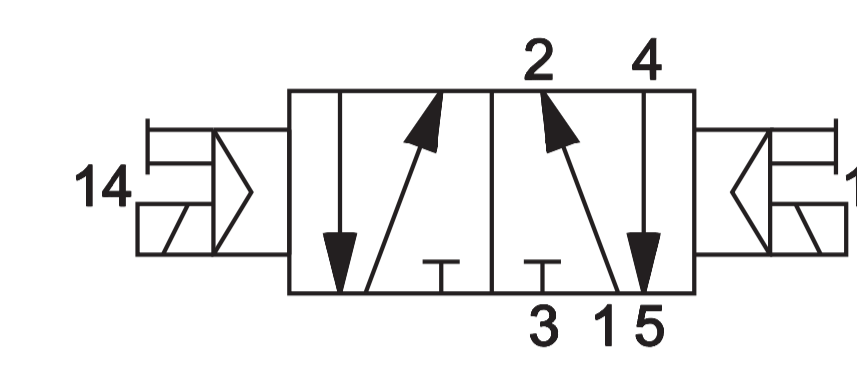
Electrical impulse

■ Single impulse



AC-7500 G1/8
AC-8500 G1/4
AC-9500 G1/2

■ Double impulse



AC-7520 G1/8
AC-8520 G1/4
AC-9520 G1/2

Solenoid valves are supplied without coil/connector/locking nut

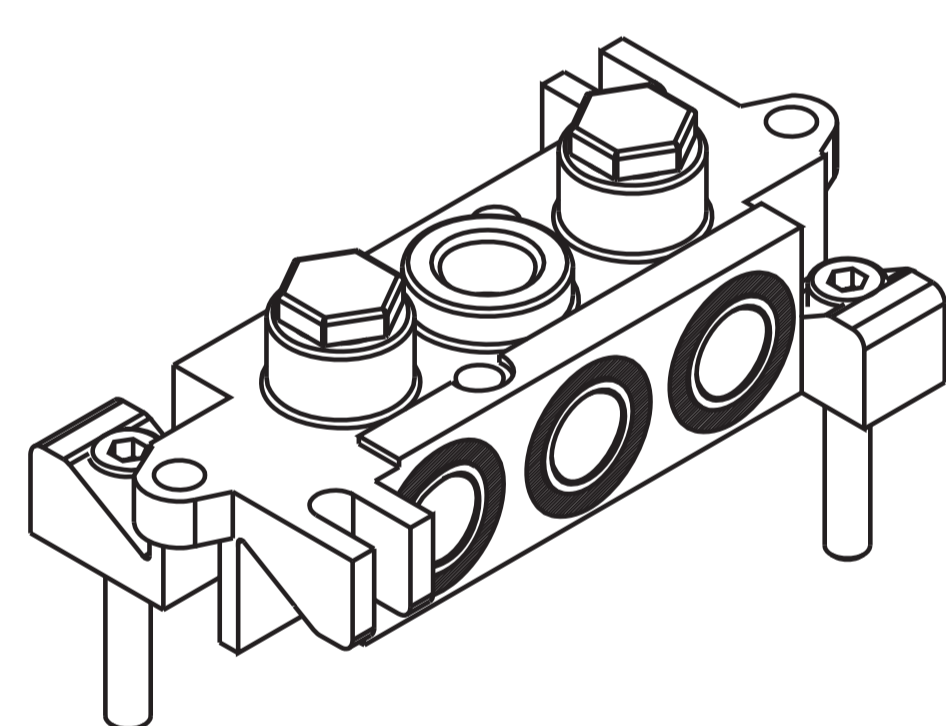
Modular sub-base

■ G1/8

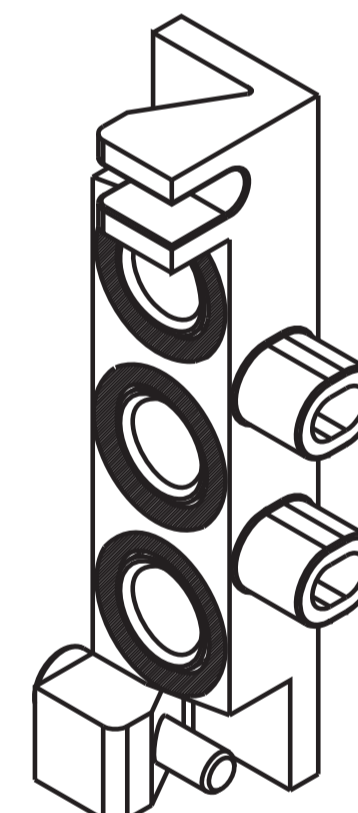


AC-7900

AC-7905



Sub-base with connections
G1/8

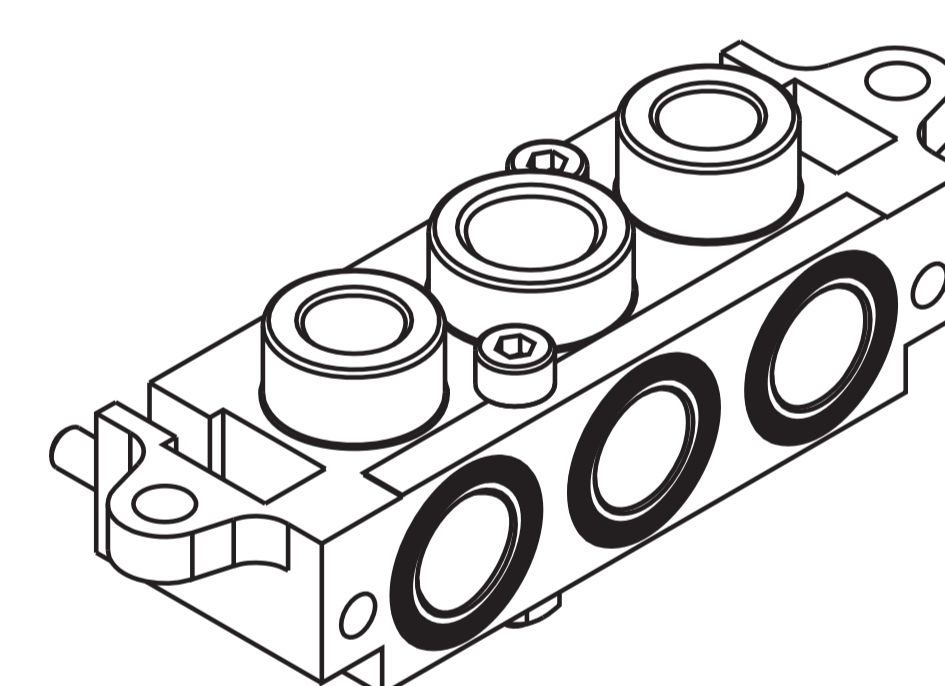


5/2 MIXED system inlet
plate - G1/8

■ G1/4



AC-8900



Sub-base with threaded
connections G1/4

Sub-bases are supplied with fixing screws

AM-5148

AM-5151

AM-5152

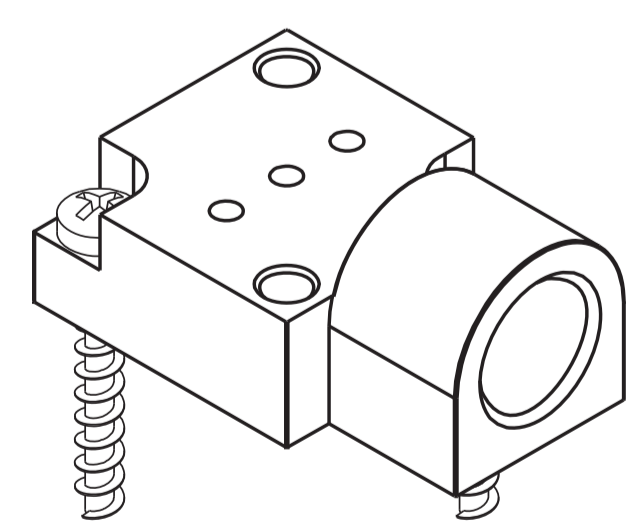
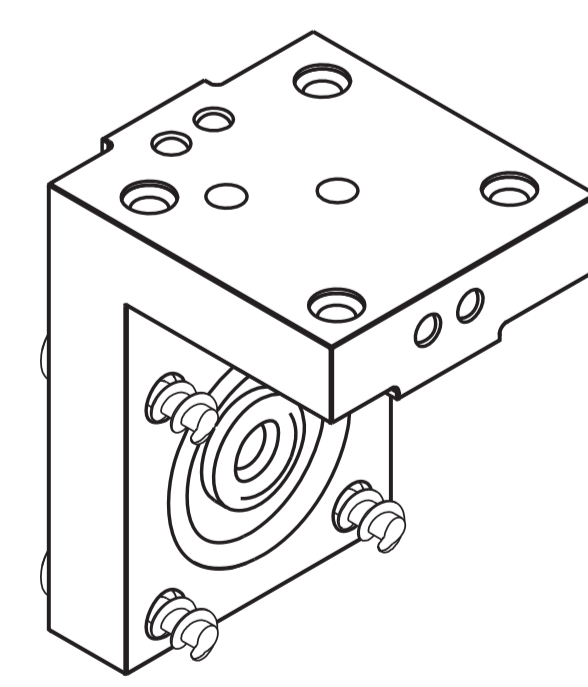
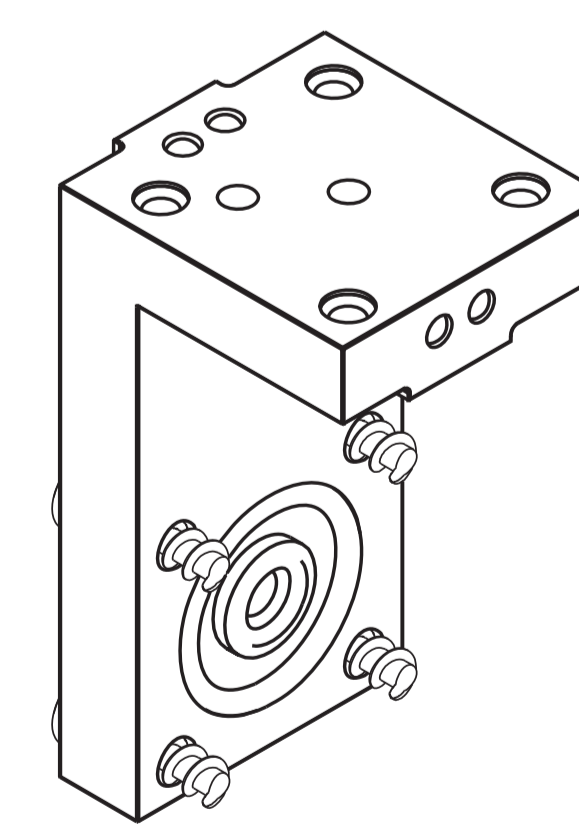


plate for external pilot supply
G1/8 - G1/4



Angle plate for "H" solenoid
option G1/8 - G1/4



Angle plate for "P" solenoid
option G1/8 - G1/4