






## Digital electropneumatic Positioner SideControl

- Compact and robust design
- Easy to start using Tune function
- Integrated diagnostic functions for valve monitoring
- Dynamic positioning system with no air consumption in controlled state
- EtherNet/IP, PROFINET, Modbus TCP, PROFIBUS DP-V1 or Bürkert system bus (büS)

Product variants described in the data sheet may differ from the product presentation and description.

### Can be combined with

	<p><b>Control valve system</b> Diaphragm linear actuator</p>
	<p><b>Control valve system</b> Rotary actuator</p>
	<p><b>Control valve system</b> Rotary actuator with remote positioner</p>
	<p><b>Control valve system</b> Control valve with remote positioner</p>
	<p><b>Control valve system</b> Hygienic process control valve with remote positioner</p>

### Type description

The robust and compact positioner is designed to standardisation acc. to IEC 60534-6-1 or VDI/VDE 3845 (IEC 60534-6-2) for assembly with linear and rotary actuators. In addition, the remote version with the displacement position sensor can be combined with Bürkert process control valves.

The digital electropneumatic positioner SideControl can be operated with the usual current and voltage standard signals and can also be equipped with the fieldbus interface. The Positioner is equipped with additional diagnostic functions to monitor the state of the valve. Through status signals, valve diagnostic messages are transmitted according to NAMUR NE 107 recommendations and recorded as history. With the diagnosis, the operating conditions of the control valve can be monitored. This allows planned maintenance and optimises plant availability.

Operation occurs via the external operation and display module with a backlit graphical display. The user operation is very simple and clear, identical to the Bürkert positioner or process controller TopControl, Type 8692/8693.

The pilot valve system can be used equally for single and double-acting actuators. It is characterised by a defined safety feature in case of failure of the electrical or pneumatic power supply and possesses an enormous air capacity range with pressure supply up to 7 bar.

## Table of contents

<b>1. General technical data</b>	<b>3</b>
1.1. Positioner SideControl Type 8792 .....	3
1.2. Linear remote position sensor (ELEMENT Type 8798) .....	5
1.3. Rotative remote position sensor (NAMUR) .....	5
1.4. Position feedback with proximity switches (accessories for retrofitting) .....	6
<b>2. Dimensions</b>	<b>7</b>
2.1. NAMUR version .....	7
2.2. Remote version .....	8
2.3. Mounting specification of NAMUR/Remote Version .....	9
NAMUR version .....	9
Remote version .....	9
2.4. ATEX/IECEX version .....	10
2.5. Remote position sensor version .....	10
2.6. Mounting on control valve acc. to NAMUR .....	11
<b>3. Device/Process connections</b>	<b>12</b>
3.1. Electrical connections .....	12
Multipole connection .....	12
PROFIBUS DP connection .....	15
EtherNet/IP-, PROFINET-, Modbus TCP connection .....	16
Bürkert system bus (bùS) connection .....	17
<b>4. Performance specifications</b>	<b>18</b>
4.1. Signal flow diagram .....	18
Position control loop .....	18
Additional software options of the process controller SideControl Type 8792 (extract) .....	18
4.2. Interface diagram .....	19
Version without fieldbus communication .....	19
Version with fieldbus communication .....	19
<b>5. Product installation</b>	<b>20</b>
5.1. Mounting options .....	20
NAMUR version .....	20
Remote version .....	21
Position feedback with proximity switches .....	22
5.2. Combination possibilities with pneumatic process valves .....	22
<b>6. Ordering information</b>	<b>23</b>
6.1. Bürkert eShop – Easy ordering and quick delivery .....	23
6.2. Bürkert product filter .....	23
6.3. Ordering chart .....	24
Positioner SideControl Type 8792 NAMUR version .....	24
Positioner SideControl Type 8792 remote version .....	25
Remote position sensor for remote version of SideControl Type 8792 .....	25
6.4. Ordering chart Accessories .....	26
Standard accessories .....	26
Accessories SideControl NAMUR .....	26
Accessories for SideControl Remote .....	26

## 1. General technical data

### 1.1. Positioner SideControl Type 8792

<b>Product properties</b>	
Dimensions	Detailed information can be found in chapter <b>"2. Dimensions"</b> on page 7.
<b>Material</b>	
Housing	Aluminium plastic-coated
Seals	EPDM, NBR, FKM
<b>Operation</b>	
Display	Graphic display with backlight and intuitive menu navigation
Operating keys	Membrane keypad with 4 keys
Service interface	Connected to PC via USB connection
Configuration tool	Bürkert Communicator PACTware (only for device versions with PROFIBUS)
<b>Commissioning</b>	
Initialization positioner	Automatic by X.TUNE function (automatic adjustment of the positioner)
<b>Status display</b>	
Optical position indicator (mechanical)	Integrated (for NAMUR Version)
<b>Communication</b>	
Fieldbus	EtherNet/IP, PROFINET, Modbus TCP, PROFIBUS DP-V1
Digital	Bürkert system bus (büS) - based on CANopen
<b>Performance data</b>	
<b>Position sensor</b>	
Integrated position sensor (NAMUR)	Conductive plastic rotary potentiometer
External remote position sensor	Linear or rotative
<b>Measuring range for rotary actuator</b>	
PROFIBUS	Rotation angle: 30°...150°
EtherNet/IP, PROFINET, Modbus TCP and büS	Rotation angle: 30°...180°
Stroke range for linear actuator	3...130 mm, depending on the lever of the attachment kit
<b>Electrical data</b>	
Operating voltage	24 V DC ± 10 %
Residual ripple	Max. 10 %
Power consumption	< 5 W
Protection class	III acc. to DIN EN 61140
<b>Input /Output</b>	
Digital input	1 binary input, galvanically isolated, 0...5 V = log "0", 10...30 V = log "1"
Digital output	2 binary output (optional), galvanically isolated
Current limitation pro digital output	100 mA, output will be synchronised when overloaded
Analogue output	1 output (optional) 0/4...20 mA, 0...5/10 V
<b>Input data setpoint and actual value</b>	
<b>Setpoint signal</b>	
Setpoint setting	0/4...20 mA 0...5/10 V
Input resistance	0/4...20 mA: 70 Ω 0...5/10 V: 20 kΩ
<b>Electrical connection</b>	
Multipole version	Screw terminals: M8, M12 acc. to device version (see connection description)
Cable gland version	2x M20 × 1.5 (cable Ø6...12 mm) on screw terminals (0.14...1.5 mm <sup>2</sup> )
Remote version	1x M12 × 1.5 (cable Ø3...6.5 mm)

Pneumatic data	
<b>Control medium</b>	Neutral gases, air, quality class acc. to ISO 8573-1
Dust content	Class 7 (< 40 µm particle size)
Particle density	Class 5 (< 10 mg/m <sup>3</sup> )
Pressure dew point	Class 3 (< -20 °C)
Oil content	Class X (< 25 mg/ m <sup>3</sup> )
<b>Air supply filter</b>	Exchangeable
Mesh size	~0.1 mm
Supply pressure	1.4...7 bar <sup>1.) 2.)</sup>
Pilot air port	Threaded port G ¼
Positioning system	
<b>Universal air capacity</b>	
Single and double acting	50 l <sub>N</sub> /min (at 1.4 bar <sup>2.)</sup> ) for aeration and ventilation 150 l <sub>N</sub> /min (at 6 bar <sup>2.)</sup> ) for aeration and ventilation Q <sub>Nn</sub> = 100 l <sub>N</sub> /min
<b>Low air capacity</b>	
Single acting	Q <sub>Nn</sub> = 7 l <sub>N</sub> /min (Q <sub>Nn</sub> acc. to definition at pressure drop from 7 to 6 bar absolute)
Approvals and certificates	
Conformity	EMV directive 2014/30/EU
UL	CAN/CSA-C22 2 no. 139 UL 429
CSA	Class 3221 82-VALVES - actuator - Cert. acc. to US Standards Class 3221 02-VALVES - actuator
ATEX	II 3G Ex ec ic IIC T4 Gc II 3D Ex tc IIIC T135 °C Dc Certificate: BVS 16 ATEX E 118 X
IECEX	Ex ec ic IIC T4 Gc Ex tc IIIC T135 °C Dc Certificate: IECEX BVS 16.0091 X
CCC (China Compulsory Certificate)	For devices with Ex approval
Environment and installation	
Operating conditions	
<b>Ambient temperature</b>	
With ATEX-/IECEX approval	0...+60 °C
Without Ex approval	-10...+60 °C
Degree of protection	IP65/IP67 acc. to EN 60529, 4X acc. to NEMA 250 Standard
Operating altitude	Up to 2000 m above sea level
Installation and mechanical data	
Mounting variant	NAMUR acc. to IEC 60534-6-1 resp. VDI/VDE 3845 (IEC 60534-6-2), remote
Installation position	As required, display above or sideways
Valve actuator (type, size)	Rotary and linear actuators acc. to NAMUR, ELEMENT Type 2301, 2300 (Actuator size Ø70/90/130 mm) and CLASSIC (Actuator size Ø175/225 mm) in combination with remote version
Adapter kit	Detailed information can be found in chapter <b>“6.4. Ordering chart Accessories”</b> on page 26

1.) The supply pressure has to be 0.5...1 bar above the minimum required pilot pressure for the valve actuator.

2.) Pressure specifications: Overpressure with respect to atmospheric pressure

## 1.2. Linear remote position sensor (ELEMENT Type 8798)

### Note:

When mounting the remote positioner away from the actuator, the length of the pneumatic control lines influences the dynamics and accuracy of the position control loop. The length of the control air lines should therefore be as short as possible.

Product properties	
Actual position signal	Digital (RS485)
Detection range of the sensor	3...45 mm (stroke range of valve spindle)
Electrical data	
Operating voltage	24 V DC $\pm$ 10 %
Protection class	III acc. to DIN EN 61140
Power consumption	<0.3 W
Electrical connection	
Cable gland (cable length)	1x M16 $\times$ 1.5 (Cable $\varnothing$ 5...10 mm) on screw terminals (0.14...1.5 mm <sup>2</sup> )
Connection cable	10 m
Approvals and Certificates	
Degree of protection	IP65 and IP67 acc. to EN 60529, 4X acc. to NEMA 250 Standard
Ignition protection	II 3G Ex ec IIC T4 Gc II 3D Ex tc IIIC T135 °C Dc
Conformity	EMC directive 2014/30/EU
Approvals	cULus certificate no. 238179
CCC (China Compulsory Certificate)	For devices with Ex approval
Environment and installation	
Ambient temperature	-25...+80 °C

## 1.3. Rotative remote position sensor (NAMUR)

### Note:

When mounting the remote positioner away from the actuator, the length of the pneumatic control lines influences the dynamics and accuracy of the position control loop. The length of the control air lines should therefore be as short as possible.

Product properties	
Stroke range when mounted to linear actuator	3...130 mm, depending on the lever of the attachment kit
Actual position signal	Digital (RS485)
Measuring range	Rotation angle 30°...180°
Electrical data	
Operating voltage	10...30 V DC
Protection class	III acc. to DIN EN 61140
Power consumption	<0.8 W
Electrical connection	2 m round cable (shielded)
Approvals and certificates	
Protection class	III acc. to DIN EN 61140
Degree of protection	IP65 acc. to EN 60529
Conformity	EMC directive 2014/30/EU
Approval	UL (cULus) certificate no. E226909
Environment and installation	
Ambient temperature	-25...+80 °C

#### 1.4. Position feedback with proximity switches (accessories for retrofitting)

**Note:**

The position feedback has two proximity switches which are independently adjustable via switch lugs.

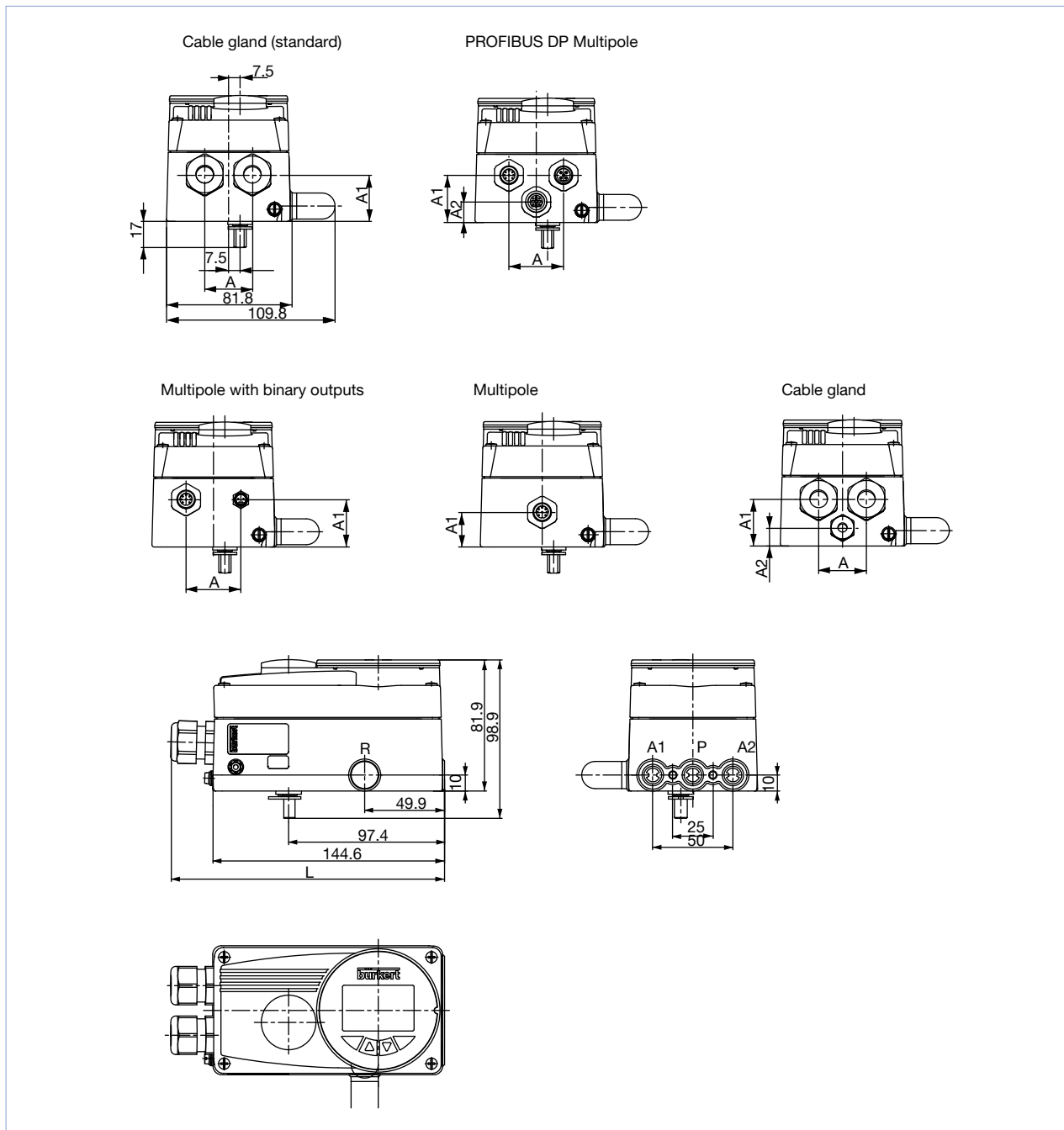
Product properties	
Output function	3-wire, normally open contact, PNP
Electrical data	
Electrical connection	M12, 4 pin
Operating voltage	10...30 V DC
Protection class	III acc. to DIN EN 61140
DC rated current	≤ 100 mA
Residual ripple	≤ 10 % U <sub>ss</sub>
Approvals and Certificates	
Degree of protection	IP65 and IP67
Protection class	III acc. to DIN EN 61140
Conformity	EMC directive 2014/30/EU

## 2. Dimensions

### 2.1. NAMUR version

**Note:**

Dimensions in mm

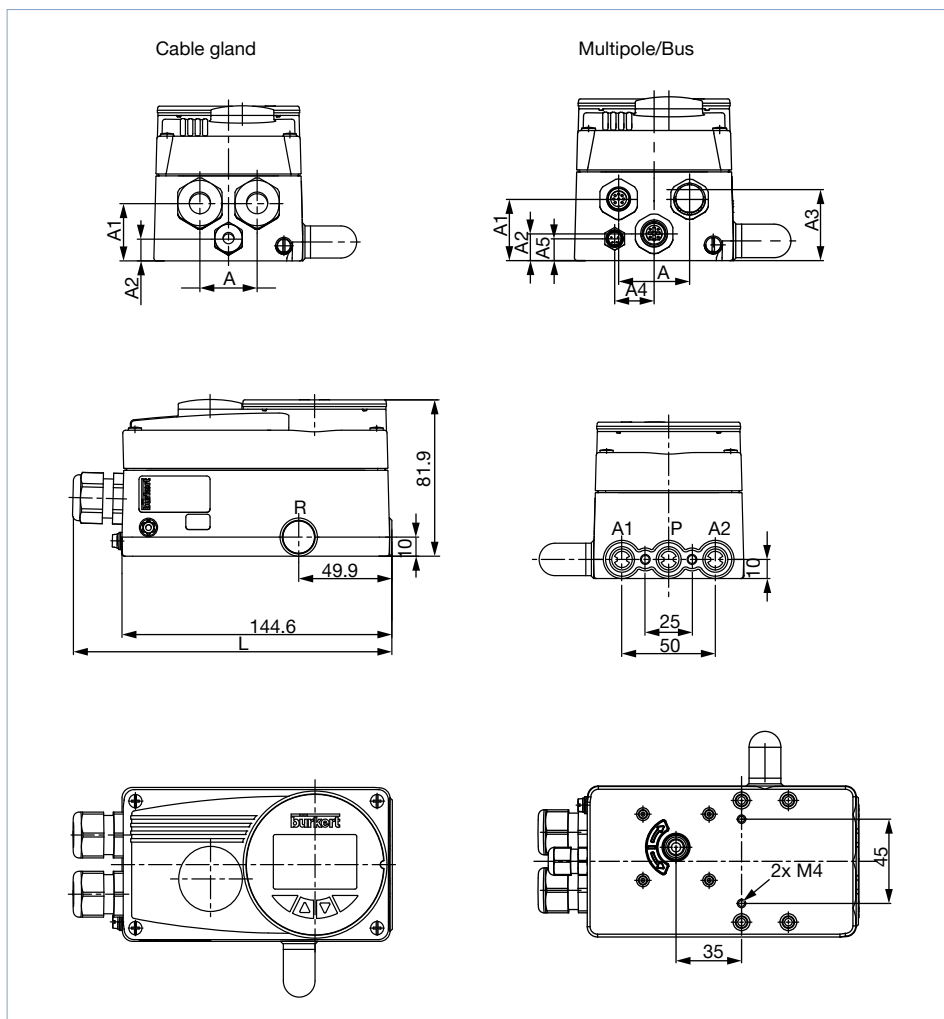


Description	L	A	A1	A2
Standard	171.1	31	30	-
PROFIBUS DP	157.8	36	31	13.5
Multipole binary outputs	157.6	36	31	-
Multipole	157.4	-	22.5	-
Remote	171.1	31	30	11.5

2.2. Remote version

Note:

Dimensions in mm



Description	L	A	A1	A2	A3	A4	A5
Remote cable gland	171.1	31	30	11.5	-	-	-
Remote multipole/bus	157.8	36	31	13.5	36	20	11

DTS 1000121137 EN Version: AD Status: RL (released | freigegeben | valide) printed: 29.06.2022

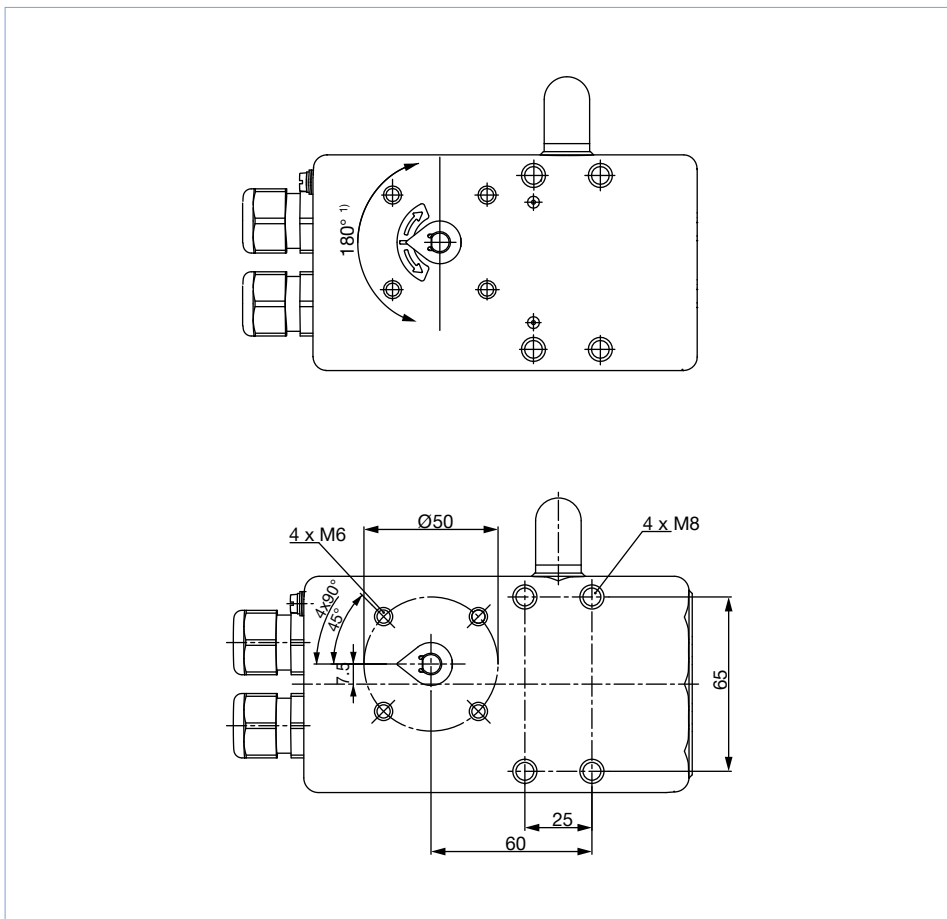


### 2.3. Mounting specification of NAMUR/Remote Version

**Note:**

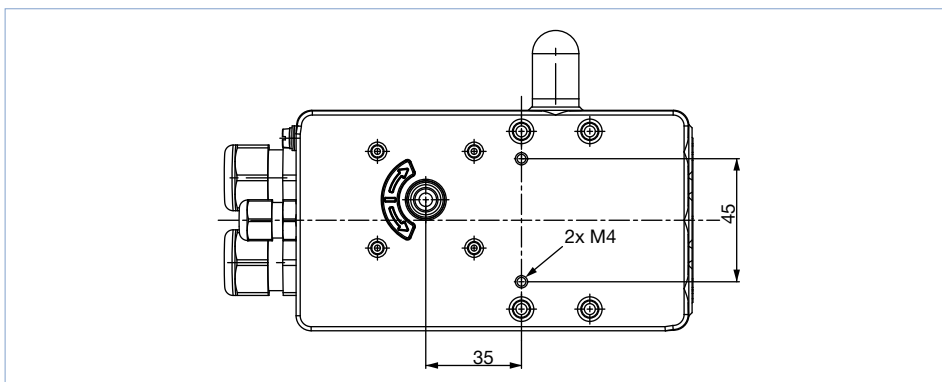
- The rotation angle of the sensor must be within a range of 180°<sup>1)</sup>.
- With the valve open approx. 50 %, the sensor indicator should be in this position.
- Dimensions in mm

**NAMUR version**



1.) For the EtherNet/IP, PROFINET, Modbus TCP and büS versions a max. of 180° is possible, for the other versions max. 150°.

**Remote version**

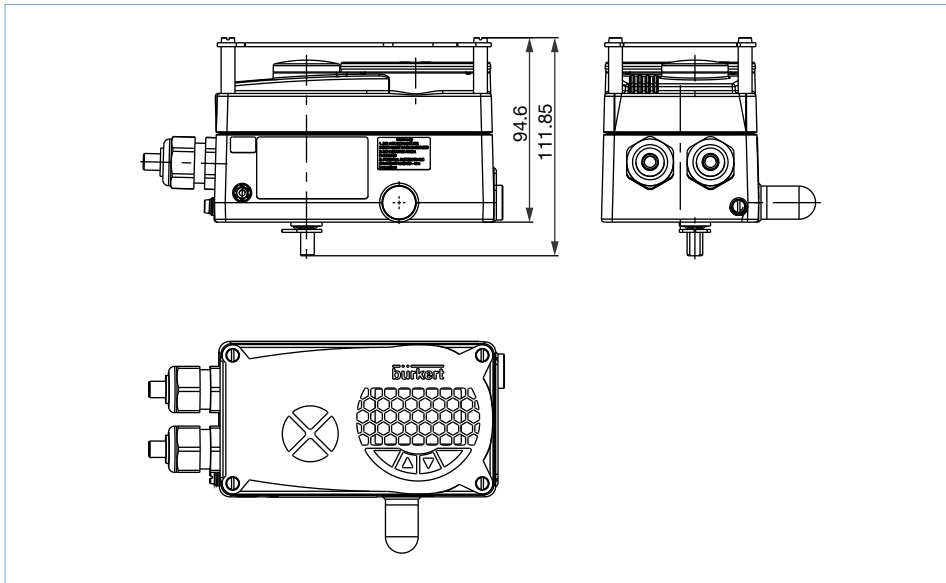


DTS 1000121137 EN Version: AD Status: RL (released | freigegeben | validé) printed: 29.06.2022

**2.4. ATEX/IECEX version**

**Note:**

Dimensions in mm

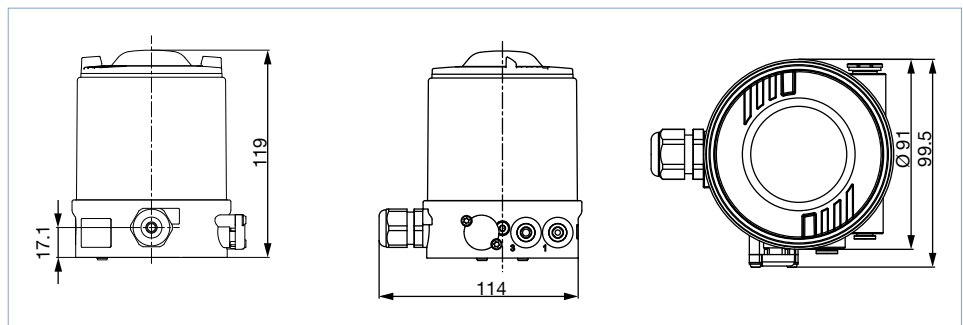


**2.5. Remote position sensor version**

**Note:**

Dimensions in mm

Linear position sensor, Type 8798, for valve position detection of Bürkert ELEMENT and hygienic process valves for the remote SideControl positioner .

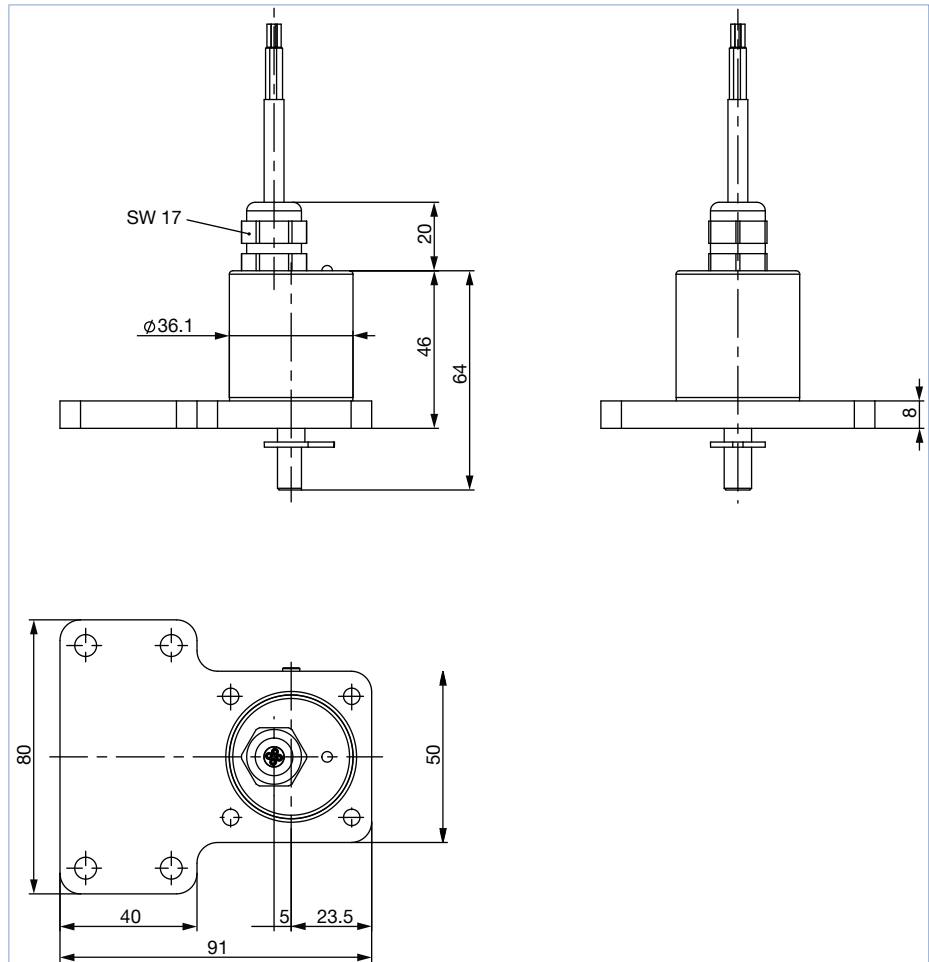


**2.6. Mounting on control valve acc. to NAMUR**

**Note:**

Dimensions in mm

Rotative position sensor to detect rotary motion of rotary actuators acc. to NAMUR/IEC 60534-6-1 and VDI/VDE 3845 (IEC 60534-6-2) for the remote SideControl positioner.



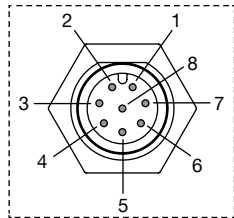
### 3. Device/Process connections

#### 3.1. Electrical connections

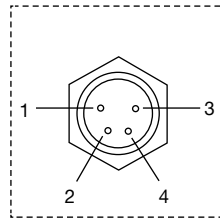
##### Multipole connection

Operating voltages with diverse signals

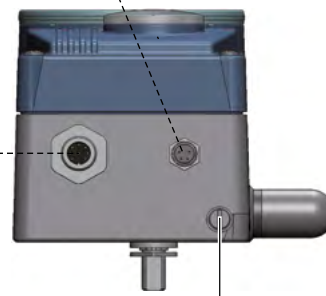
Binary output (optional)



M12 Circular connector, 8 pin



M8 socket, 4 pin



Earthing function

##### M12 circular plug, 8 pin (setpoint)

Pin	Pin assignment	Outer circuitry/Signal level
1	Setpoint + (0/4...20 mA or 0...5/10 V)	1  + (0/4...20 mA or 0...5/10 V) Completely galvanically isolated
2	Setpoint GND	2  GND
3	GND	3  24 V DC ± 10 % Max. Residual ripple 10 %
4	+24 V	4  24 V DC ± 10 % Max. Residual ripple 10 %
5	Binary input +	5  +  0...5 V (log. 0) 10...30 V (log. 1)
6	Binary input GND	6  GND
<b>Option analogue feedback</b>		
8	Analogue feedback +	8  + (0/4...20 mA or 0...5/10 V) Completely galvanically isolated
7	Analogue feedback GND	7  GND

##### M8 socket, 4 pin (only for binary outputs options)

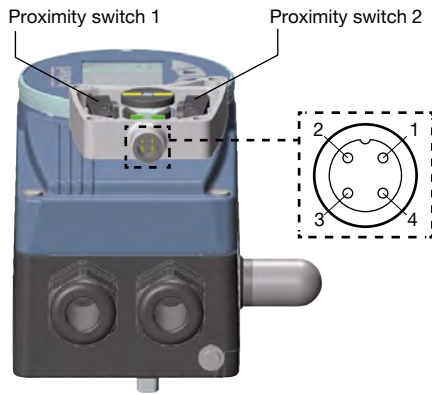
Pin	Pin assignment	Outer circuitry/Signal level
1	Binary output 1	1  24 V/0 V, NC/NO Relative to Operating voltage GND (terminal GND)
2	Binary output 2	2  24 V/0 V, NC/NO Relative to Operating voltage GND (terminal GND)
3	Binary output GND	3  GND

DTS 1000121137 EN Version: AD Status: RL (released | freigegeben | validé) printed: 29.06.2022

**Electrical connection Position feedback with proximity switches**

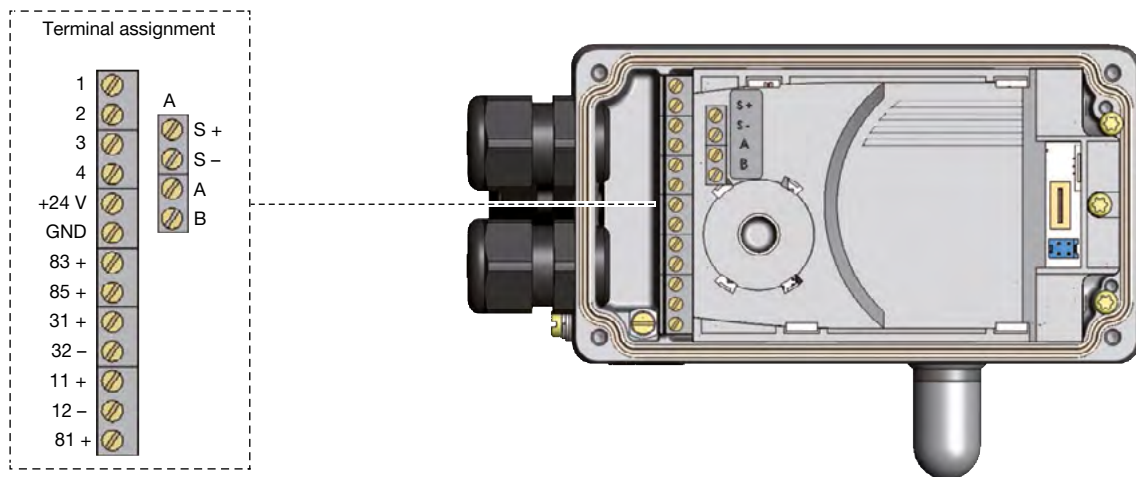
**Note:**

Accessories for upgrading



No.	Pin assignment	Outer circuitry/Signal level		
1	Supply 10...30 V	+10...30 V		1 10...30 V
2	Switching output (NO) proximity switches 1	+10...30 V		2 open/10...30 V
3	GND	GND		3 GND
4	Switching output (NO) proximity switches 2	+10...30 V		4 open/10...30 V

**Screw terminal connection**



Terminal	Pin assignment	Outer circuitry/Signal level
11 +	Setpoint +	11 +  + (0/4...20 mA or 0...5/10 V) Completely galvanically isolated
12 -	Setpoint GND	12 -  GND
81 +	Binary input +	81 +  +  0...5 V (log. 0) 10...30 V (log. 1) Relative to operating voltage GND (terminal GND)
+24 V	Operating voltage +	+24 V  24 V DC ± 10 %
GND	Operating voltage GND	GND  Max. Residual ripple 10 %

**Analogue feedback option/binary outputs**

Terminal	Pin assignment	Outer circuitry/Signal level
83 +	Binary output 1	83 +  24 V/0 V, NC/NO Relative to Operating voltage GND (terminal GND)
85 +	Binary output 2	85 +  24 V/0 V, NC/NO Relative to Operating voltage GND (terminal GND)
31 +	Analogue feedback +	31 +  + (0/4...20 mA or 0...5/10 V) Completely galvanically isolated
32 -	Analogue feedback GND	32 -  GND

**Remote version option in conjunction with remote position sensor Type 8798**

**Note:**

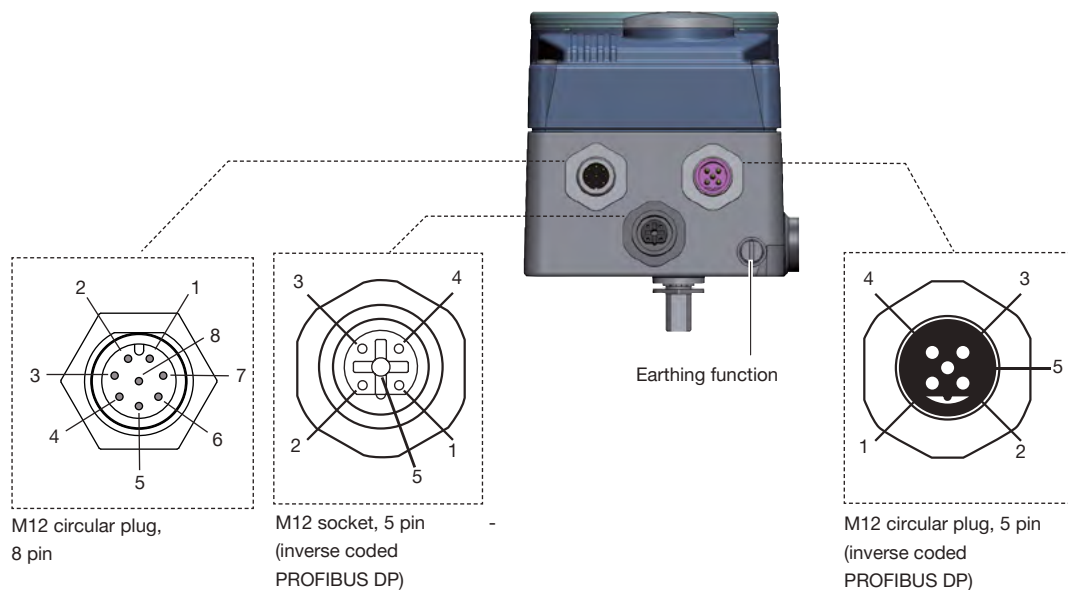
For variants without remote version: Terminals A, B, +, - not connected

Terminal	Pin assignment	Outer circuitry/Signal level
Remote position sensor	A	Serial interface, A-line
	B	Serial interface, B-line
	S +	Sensor supply +
	S -	Sensor supply -
		A  A-line
		B  B-line
		S +  +
		S -  -

Remote position sensor Type 8798

Terminal	Wire colour for cable type		Pin assignment	Outer circuitry	
	1	2			
1	White	Black	Sensor supply -	1	8791 or
2	Brown		Sensor supply +	2	8792/8793
3	Yellow	Orange	Serial interface, B-line	3	8791 or
4	Green	Red	Serial interface, A-line	4	8792/8793

PROFIBUS DP connection



Operating voltage - M12 circular plug, 8 pin

Pin	Pin assignment	Outer circuitry/Signal level
1	Not assigned	
2	Not assigned	
3	GND	24 V DC ± 10 %
4	+24 V	Max. Residual ripple 10 %
5	Binary input +	
6	Binary input -	
7	Binary output 1 (relative to pin 3)	
8	Binary output 2 (relative to pin 3)	

Fieldbus connection - M12 socket/circular plug, 5 pin

Pin	Pin assignment	Outer circuitry/Signal level
1	VP+5	Load resistance supply
2	RxD/TxD-N	Receive-/Transmit data -N, A-line
3	DGND	Information transfer potential (measured to 5 V)
4	RxD/TxD-P	Receive-/Transmit data -P, B-line
5	Shield	Shield/protective earth

DTS 1000121137 EN Version: AD Status: RL (released | freigegeben | valide) printed: 29.06.2022

**EtherNet/IP-, PROFINET-, Modbus TCP connection**



**M12 fieldbus connection D-coded**

Connection for EtherNet/IP takes place via M12 screw terminals, 4 pin, D-coded

	Pin	Description
	1	Transmit +
	2	Receive +
	3	Transmit -
	4	Receive -

**Operating voltage - M12 circular plug, 8 pin**

Pin	Pin assignment	Device side	Outer circuitry/Signal level
1	Not assigned		
2	Not assigned		
<b>Operating voltage</b>			
3	GND	3	 24 V DC ± 10 % Max. residual ripple 10 %
4	+ 24 V	4	
<b>Input signal of the control centre (e. g. SPS)</b>			
5	Binary input +	5	 0...5 V (log. 0) 10...30 V (log. 1)
6	Binary input -	6	GND (identical to pin 3)
<b>Output signal of the control centre (e. g. SPS) - (only used with binary output option)</b>			
7	Binary output 1 (relative to pin 3)	7	0...24 V
8	Binary output 2 (relative to pin 3)	8	0...24 V

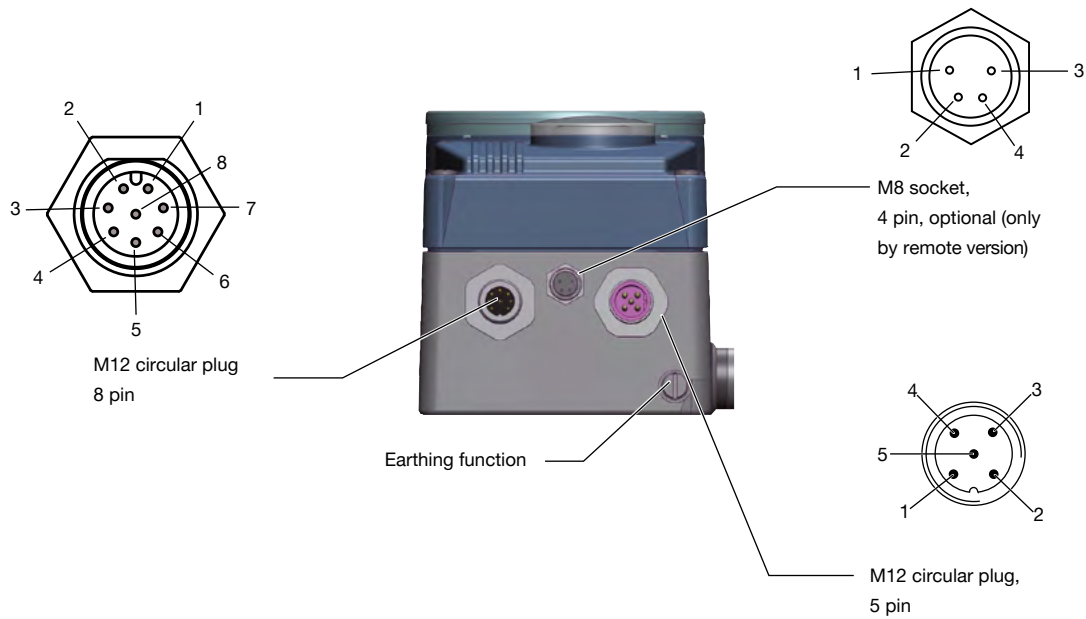
**Connection of digital remote position sensor Type 8798 - M8 socket, 4 pin (optional)**

Pin	Pin assignment	Device side	Outer circuitry
1	Sensor supply +	S +	+
2	Sensor supply -	S -	-
3	Serial interface, A-line	A	A-line
4	Serial interface, B-line	B	B-line

Remote sensor  
Type 8798



**Bürkert system bus (büS) connection**



**Fieldbus connection - screw terminals M12x1, 5 pin**

Pin	Cable colour	Description
1	CAN Shield/Shielding	CAN Shield/Shielding
2	Not assigned	
3	Black	GND/CAN_GND
4	White	CAN_H
5	Blue	CAN_L

**Operating voltage - Circular plug M12, 8 pin**

Pin	Pin assignment	Device side	Outer circuitry/Signal level
1	Not assigned		
2	Not assigned		
<b>Operating voltage</b>			
3	GND	3	24 V DC ± 10 %
4	+24 V	4	Max. Residual ripple 10 %
<b>Input signal of the control centre (e. g. SPS)</b>			
5	Binary input +	5	0...5 V (log. 0) 10...30 V (log. 1)
6	Binary input -	6	GND (identical to pin 3)
<b>Output signal of the control centre (e. g. SPS) - (only used with binary output option)</b>			
7	Binary output 1 (relative to pin 3)	7	0...24 V
8	Binary output 2 (relative to pin 3)	8	0...24 V

**Connection of digital remote position sensor Type 8798 - M8 socket, 4 pin (optional)**

Pin	Pin assignment	Device side	Outer circuitry
1	Sensor supply +	S +	+
2	Sensor supply -	S -	-
3	Serial interface, A-line	A	A-line
4	Serial interface, B-line	B	B-line

DTS 1000121137 EN Version: AD Status: RL (released | freigegeben | valide) printed: 29.06.2022

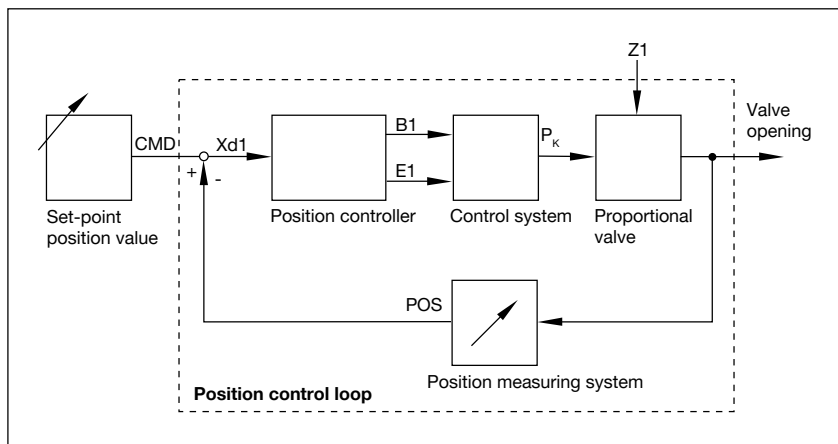
**Connection of analogue remote position sensor - M8 socket, 4 pin (optional)**

Pin	Pin assignment	Device side	Outer circuitry
1	Potentiometer 1	1	
2	Wiper 2	2	
3	Potentiometer 3	3	
4	Not assigned		

## 4. Performance specifications

### 4.1. Signal flow diagram

#### Position control loop



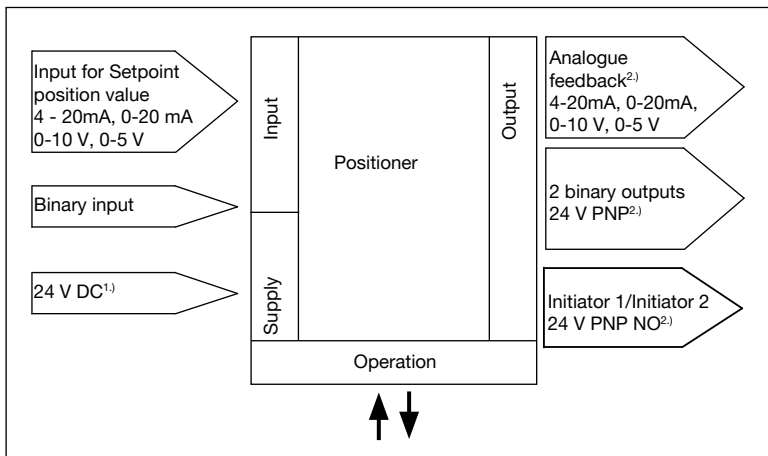
#### Additional software options of the process controller SideControl Type 8792 (extract)

- Automatic start of the control system
- Automatic or manual characteristics curves selection
- Setting of the seal and the maximum stroke threshold respectively
- Parameterisation of the positioner
- Limitation of the stroke range
- Limitation of the manipulating speed
- Setting of the moving direction
- Configuration of the binary input
- Signal range splitting on several controllers
- Configuration of analogue or 2 binary outputs
- Signal fault detection
- Safety position
- Code protection
- Contrast inversion of the display
- Parameterisable diagnostic functions<sup>1)</sup>/binary output (option)
  - Operating-hours counter
  - Path accumulator
  - Position monitoring
  - Graphical display of the dwell time density and movement range
  - Monitoring of the mechanical end positions in the armature

1.) Further diagnostic functions with detailed description can be found in the **operating instructions** ▶.

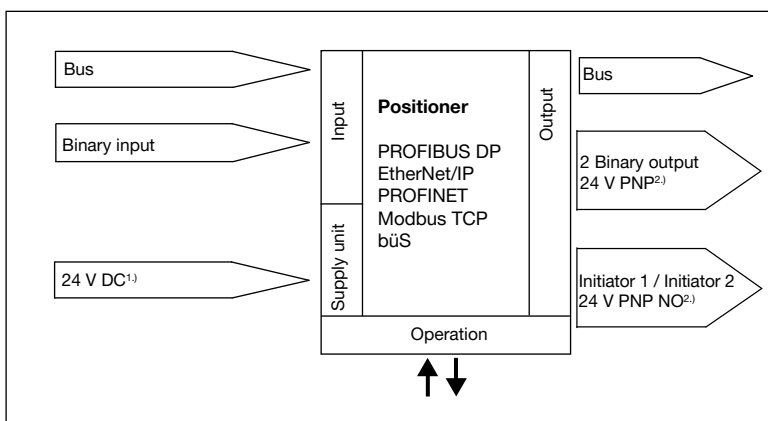
## 4.2. Interface diagram

### Version without fieldbus communication



### Version with fieldbus communication

PROFIBUS DP, EtherNet/IP, PROFINET, Modbus TCP and Bürkert system bus (büS)



1.) The operating voltage is supplied with a 3-wire unit independent from the setpoint signal

2.) Alternative options

## 5. Product installation

### 5.1. Mounting options

#### NAMUR version

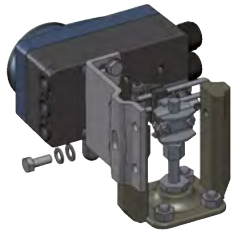
**Note:**

Positioner with integrated position sensor, mounting acc. to NAMUR/IEC 60534-6-1 and VDI/VDE 3845 (IEC 60534-6-2)

The NAMUR version of the SideControl positioner is equipped with an integrated position sensor (linear or rotary). It has a standardized interface for direct attachment to linear actuators acc. to NAMUR/IEC 60534-6-1 and VDI/VDE 3845 (IEC 60534-6-2).

#### Linear actuators

See [operating manual](#) ▶



Description	Article no.
Mounting kit	787215

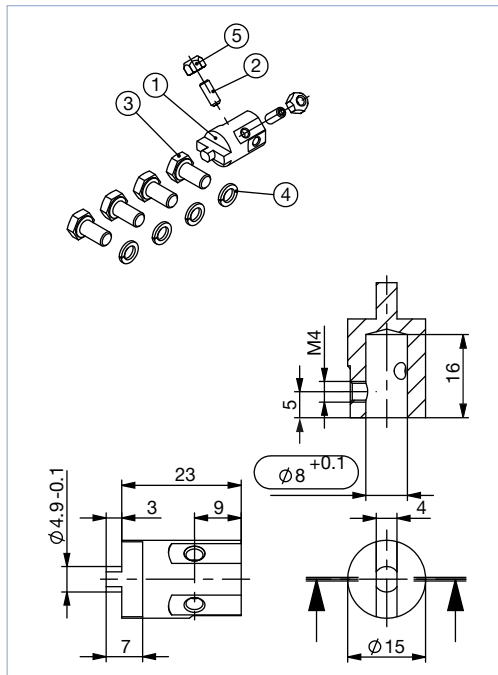
#### Rotary actuators

See [operating manual](#) ▶



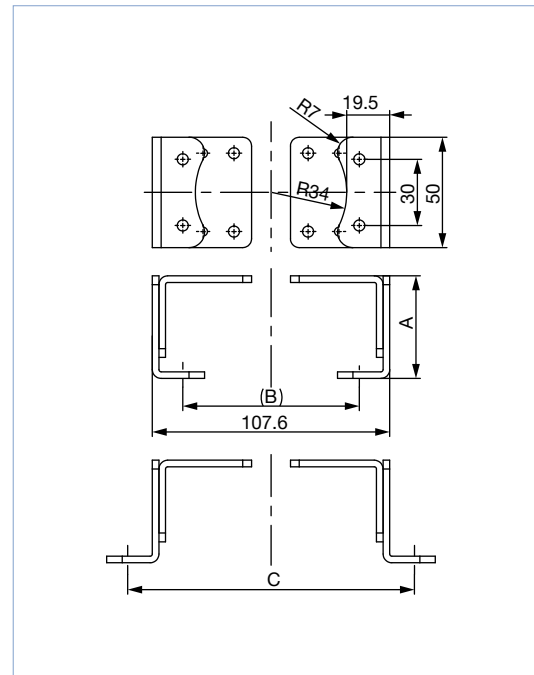
Description	Article no.
Adapter kit	787338
Mounting bracket	770294

#### Adapter kit for rotary actuators (Art. no. 787338)



Actuator shaft height	A	B	C
[mm]	[mm]	[mm]	[mm]
20	46.5	80	–
30	56.5	80	130
50	76.5	–	130

#### Mounting bracket for rotary actuator (Art. no. 770294)



DTS 1000121137 EN Version: AD Status: RL (released | freigegeben | valide) printed: 29.06.2022

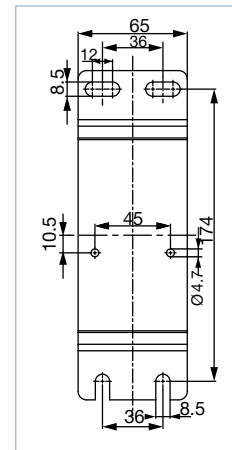
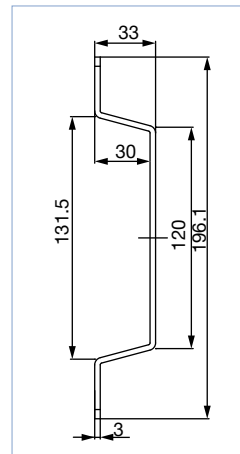
**Remote version**

**Note:**

- Dimensions in mm
- 2 mounting options

The remote version of the SideControl positioner is used to control process control valves in combination with a remote position sensor. The remote position sensor is mounted directly on the valve to detect the valve position. The remote positioner can be mounted on the wall or on a DIN rail in a control cabinet.

**Wall mounting with assembly bracket**

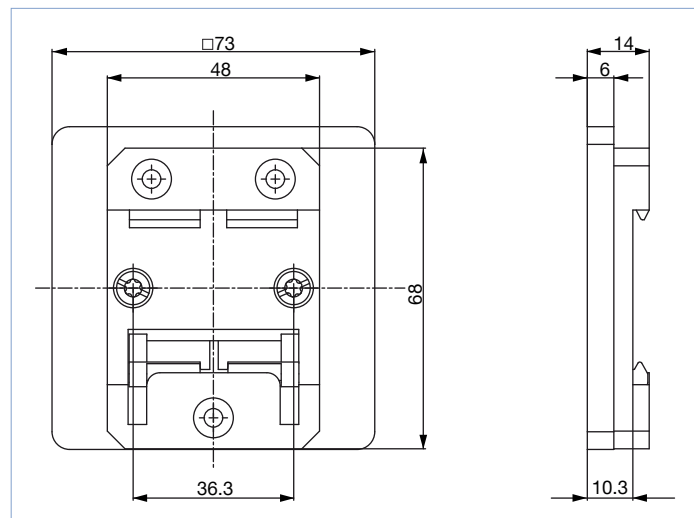
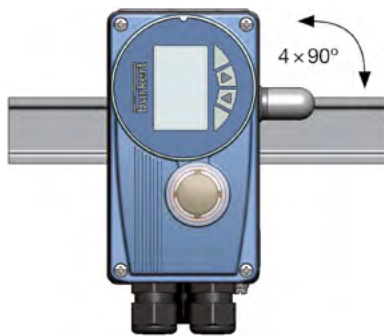


Description	Article no.
Bracket for wall mounting	675715

**Mounting on DIN-rail**

**Note:**

- The adapter can be turned by 90° on the DIN rail.
- Dimensions in mm



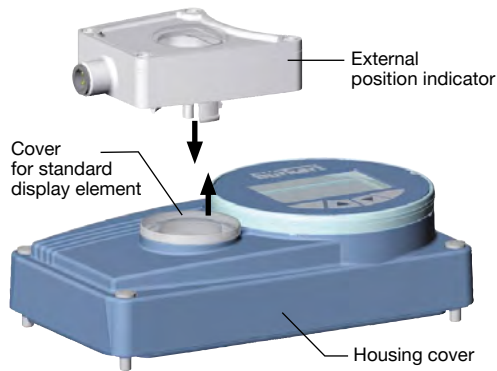
Description	Article no.
Holder for DIN rail mounting	675702

DTS 1000121137 EN Version: AD Status: RL (released | freigegeben | valide) printed: 29.06.2022

**Position feedback with proximity switches**

**Note:**

Upgrade feature for SideControl NAMUR







Connecting external position indicator

Description	Article no.
Position feedback	677218 ☐

**5.2. Combination possibilities with pneumatic process valves**

**Note:**

Detailed ordering information can be found in the chapter “6.3. Ordering chart” on page 24

<p><b>Process controller SideControl 8792</b></p> 	<p><b>8792 NAMUR</b></p>  <p><b>Linear actuators IEC 60534-6-1</b></p> <p><b>Rotary actuators VDI/VDE 3845 (IEC 60534-6-2)</b></p> <p><b>Type 8805 ▶</b> Ball valve/Butterfly valve with pneumatic rotary actuator</p>	<p><b>8792 Remote</b></p>  <p><b>Linear actuators IEC 60534-6-1</b></p> <p><b>Rotary actuators VDI/VDE 3845 (IEC 60534-6-2)</b></p> <p><b>Type 8798 ▶</b> Remote sensor for pneumatical- ly actuated process valves</p>	<p><b>8792 Remote</b></p>  <p><b>Control valve system</b></p> <p><b>Type 2300 ▶</b> Pneumatically actuated 2-way angle seat control valve ELEMENT + <b>Type 8798 ▶</b> Remote sensor for pneumatically actuated process valves</p>
---	---	---	---

DTS 1000121137 EN Version: AD Status: RL (released | freigegeben | valide) printed: 29.06.2022

## 6. Ordering information

### 6.1. Bürkert eShop – Easy ordering and quick delivery



#### Bürkert eShop – Easy ordering and fast delivery

You want to find your desired Bürkert product or spare part quickly and order directly? Our online shop is available for you 24/7. Sign up and enjoy all the benefits.

[Order online now](#)

### 6.2. Bürkert product filter



#### Bürkert product filter – Get quickly to the right product

You want to select products comfortably based on your technical requirements? Use the Bürkert product filter and find suitable articles for your application quickly and easily.

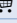
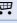







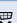
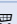

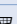
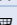
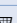
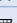

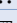
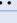
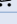
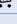
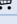
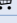
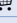


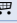
[Try out our product filter](#)

### 6.3. Ordering chart

#### Positioner SideControl Type 8792 NAMUR version

**Note:**

- Mounting according to NAMUR IEC 60534-6-1 resp. VDI/VDE 3845 (IEC 60534-6-2)
- Further versions on request

Communication	Electrical connection	Analogue feedback	2 Binary output	Diagnostics <sup>1.)</sup>	cCSAus	ATEX II 3 GD/IECEx CCC <sup>2.)</sup>	Article no.
<b>Single and double-acting with universal air capacity</b>							
Without Fieldbus communication	Cable gland	–	–	–	Yes	–	317985 
		–	Yes	Yes	Yes	–	317987 
		Yes	Yes	Yes	Yes	–	317986 
		Yes	Yes	Yes	–	Yes	318036 
	Multipole	–	–	–	Yes	–	317988 
		–	Yes	Yes	Yes	–	317990 
Yes		Yes	Yes	Yes	–	317989 	
PROFIBUS DP-V1	Multipole	Via Bus	–	–	Yes	–	206616 
		Via Bus	–	–	–	Yes	310308 
		Via Bus	Yes	Yes	–	Yes	310309 
		Via Bus	Yes	Yes	Yes	–	206617 
EtherNet/IP	Multipole	Via Bus	–	Yes	Yes	–	317932 
		Via Bus	Yes	Yes	Yes	–	317933 
		Via Bus	–	Yes	–	Yes	317938 
		Via Bus	Yes	Yes	–	Yes	317939 
PROFINET	Multipole	Via Bus	–	Yes	Yes	–	317942 
		Via Bus	Yes	Yes	Yes	–	317943 
		Via Bus	–	Yes	–	Yes	317948 
		Via Bus	Yes	Yes	–	Yes	317949 
Modbus TCP	Multipole	Via Bus	–	Yes	Yes	–	317952 
		Via Bus	Yes	Yes	Yes	–	317953 
		Via Bus	–	Yes	–	Yes	317958 
		Via Bus	Yes	Yes	–	Yes	317959 
Bürkert system bus (büS)	Multipole	Via Bus	–	Yes	Yes	–	317962 
		Via Bus	Yes	Yes	Yes	–	317963 
		Via Bus	–	Yes	–	Yes	317968 
		Via Bus	Yes	Yes	–	Yes	317969 

1.) See [“Additional software options of the process controller SideControl Type 8792 \(extract\)”](#) on page 18

2.) CCC (China Compulsory Certificate) for device versions with Ex approval.



## Positioner SideControl Type 8792 remote version

## Note:



Further versions on request

Communication	Electrical connection	Analogue feedback	2 Binary output	Diagnostics <sup>1.)</sup>	cCSAus	ATEX II 3 GD/IECEX CCC <sup>2.)</sup>	Article no.
<b>Single-acting with low air capacity for actuator series Type 23xx (Ø70/90 mm)</b>							
Without Fieldbus communication	Cable gland	Yes	Yes	Yes	Yes	-	318010
		-	Yes	Yes	Yes	-	318011
EtherNet/IP	Multipole	Via Bus	Yes	Yes	Yes	-	317936
PROFINET		Via Bus	Yes	Yes	Yes	-	317946
Modbus TCP		Via Bus	Yes	Yes	Yes	-	317956
Bürkert system bus (büS)		Via Bus	Yes	Yes	Yes	-	317966
<b>Single and double-acting with universal air capacity for actuator series Type 23xx (Ø130 mm) and 27xx (Ø175/225 mm)</b>							
Without Fieldbus communication	Cable gland	-	-	-	Yes	-	317991
		Yes	Yes	Yes	Yes	-	317992
		-	Yes	Yes	Yes	-	317993
		Yes	Yes	Yes	-	Yes	318038
EtherNet/IP	Multipole	Via Bus	Yes	Yes	Yes	-	317935
PROFINET		Via Bus	Yes	Yes	Yes	-	317945
Modbus TCP		Via Bus	Yes	Yes	Yes	-	317955
Bürkert system bus (büS)		Via Bus	Yes	Yes	Yes	-	317965

1.) See "Additional software options of the process controller SideControl Type 8792 (extract)" on page 18

2.) CCC (China Compulsory Certificate) for device versions with Ex approval.

## Remote position sensor for remote version of SideControl Type 8792

Product	Mounting version	Electrical connection	cULus	ATEX II 3 GD/IECEX CCC <sup>1.)</sup>	Article no.
<b>Mounting on control valves</b>					
	Control valve Type 23xx	Cable gland - 10 m round cable	Yes	-	00300730
		Cable gland - 10 m round cable	-	Yes	20003944
		Multipole - 10 m round cable	Yes	-	00307956
	Control valve Type 27xx	Cable gland - 10 m round cable	Yes	-	211535
		Cable gland - 10 m round cable	-	Yes	226859
		Multipole - 10 m round cable	Yes	-	00329888
<b>NAMUR mounting</b>					
	NAMUR (rotative)	Cable gland - 2 m round cable (extendable to 10 m max.)	Yes	-	211536

1.) CCC Certificate) for device versions with Ex approval.

## 6.4. Ordering chart Accessories

### Standard accessories

#### Note:

The corresponding communication software can be downloaded from [www.buerkert.com](http://www.buerkert.com), see **Type 8792** ▶.

Description	Article no.
M12 socket, 8 pin with 5 m cable for power supply and input/output signals	919267
M8 plug, 4 pin for binary outputs, with solder joints	917131
USB bÜS interface Set (bÜS-Stick + connection cable with M12 plug + connection cable M12 on micro USB for the bÜS service interface) to connect with PC-Tool Bürkert Communicator (only for device versions with EtherNet/IP, PROFINET, Modbus TCP and Bürkert system bus (bÜS))	772551
bÜS cable extension M12, length 1 m	772404
bÜS cable extension M12, length 3 m	772405
bÜS cable extension M12, length 5 m	772406
bÜS cable extension M12, length 10 m	772407
Silencer G ¼" (replacement part)	780780
USB interface for serial communication (only for devices with PROFIBUS communication)	227093
Software Bürkert Communicator	<b>LINK</b> ▶

### Accessories SideControl NAMUR

#### Note:

Detailed information can be found in chapter **"5. Product installation"** on page 20.

Description	Article no.
Mounting bracket VDI/VDE 3845 (IEC 60534 - 6 - 2) VA	770294
Adapter kit VDI/VDE 3845 (IEC 60534 - 6 - 2) VA	787338
Adapter kit for linear actuators IEC 60534 - 6 - 1 VA	787215
Position feedback with proximity switches (optional upgrade feature) <sup>1.)</sup>	677218

1.) External end position feedback for upgrading SideControl NAMUR

### Accessories for SideControl Remote

Description	Article no.
Bracket for wall mounting, stainless steel, see <b>"5. Product installation"</b> on page 20	675715
DIN rail assembly kit Aluminium/stainless steel, see <b>"5. Product installation"</b> on page 20	675702
Adapter kit - remote sensor, control valves Type 23xx Actuator size Ø70/90/130 mm	679917
Adapter kit - remote sensor, control valves Type 27xx Actuator size Ø175/225 mm	679945
Sensor Puck (replacement part)	682240

# Bürkert – Close to You

For up-to-date addresses  
please visit us at  
[www.burkert.com](http://www.burkert.com)

DTS 1000121137 EN Version: AD Status: RL (released | freigegeben | validé) printed: 29.06.2022

