

HIGH PERFORMANCE
SILICONE AUTOMOTIVE CABLES

HTMTM
SENSORS



- HIGH PERFORMANCE SILICONE CABLES FOR AUTOMOTIVE APPLICATIONS
- M8 AND M12 VERSIONS ARE AVAILABLE IN ANY CONFIGURATION OR LENGTH
- PTFE COATED NUTS FOR SPATTER RESISTANCE
- DOUBLE-ENDED AND SPLITTER VERSIONS AVAILABLE
- IDEAL FOR USE IN WELD CELLS WHERE CABLES CAN GET DAMAGED

HTMSENSORS.COM

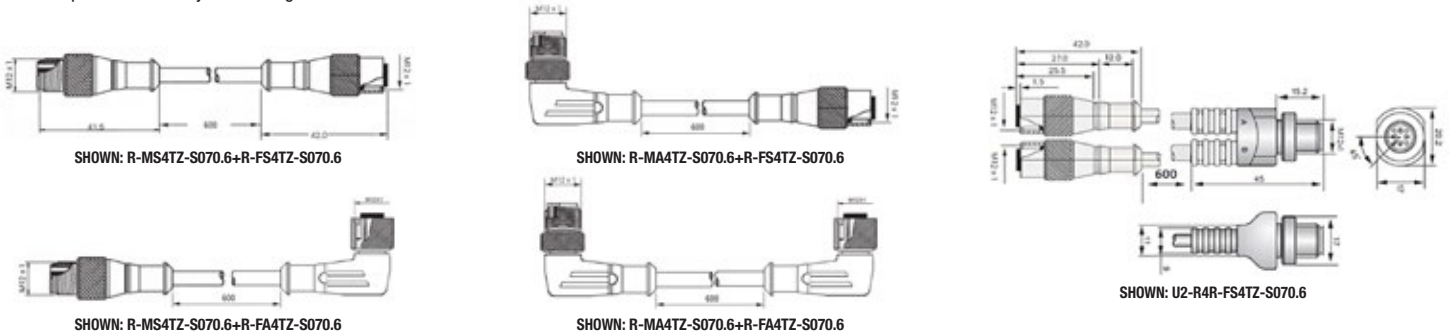
HIGH PERFORMANCE SILICONE AUTOMOTIVE CABLES SPECIFICATIONS



	DOUBLE-ENDED	DOUBLE-ENDED	DOUBLE-ENDED	DOUBLE-ENDED	SPLITTER
	Double-Ended Cable	Double-Ended Cable	Double-Ended Cable	Double-Ended Cable	Splitter Cable
MALE CONNECTOR	Straight	Straight	Angled	Angled	Straight
FEMALE CONNECTOR	Straight	Angled	Straight	Angled	Straight
CABLE MATERIAL	Black Silicone	Black Silicone	Black Silicone	Black Silicone	Black Silicone
WIRE GAUGE	24 AWG				
NOMINAL VOLTAGE	250 V AC/300 V DC				
LOCKING NUT	Brass + PTFE (Grey)				
PROTECTION	IP68				
PART NUMBERS					
M12, 4-pin - 0.6 m	R-MS4TZ-S070.6+R-FS4TZ-S070.6	R-MS4TZ-S070.6+R-FA4TZ-S070.6	R-MA4TZ-S070.6+R-FS4TZ-S070.6	R-MA4TZ-S070.6+R-FA4TZ-S070.6	U2-R4R-FS4TZ-S070.6
M12, 4-pin - 2.0 m	R-MS4TZ-S072+R-FS4TZ-S072	R-MS4TZ-S072+R-FA4TZ-S072	R-MA4TZ-S072+R-FS4TZ-S072	R-MA4TZ-S072+R-FA4TZ-S072	U2-R4R-FS4TZ-S072

Custom lengths and connector styles are available

NOTE: Specifications subject to change without notification.



HIGH PERFORMANCE SILICONE AUTOMOTIVE CABLES ARE THE BEST CHOICE FOR EXTRA DURABILITY IN WELD CELLS WHERE CABLES ARE EXPOSED TO HIGH HEAT, WELD SPATTER AND SHARP TOOLS OR PARTS.

