



Figure 1: Elstein IPO screw radiator

Elstein radiators IPO are ceramic infrared dark radiators with E27 screw cap.

The standardised E27 thread allows easy and safe installation, as the radiators can be screwed in like bulbs into porcelain or metal sockets with porcelain insert.

Due to their simple connection, IPO infrared radiators are suitable both for individual operation and for configuring groups of radiators.

An example for an application is shown in our product catalog. A three dimensional heating panel for laminating door trims was built by using IPO radiators (page 6, figure 8).

The power can be adjusted using a proprietary dimmer.

Elstein screw radiators IPO have a power of 150 W.

IPO

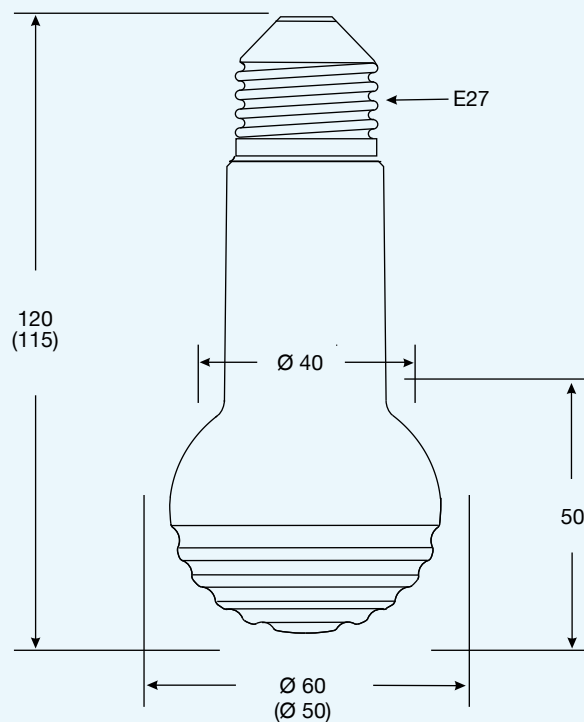
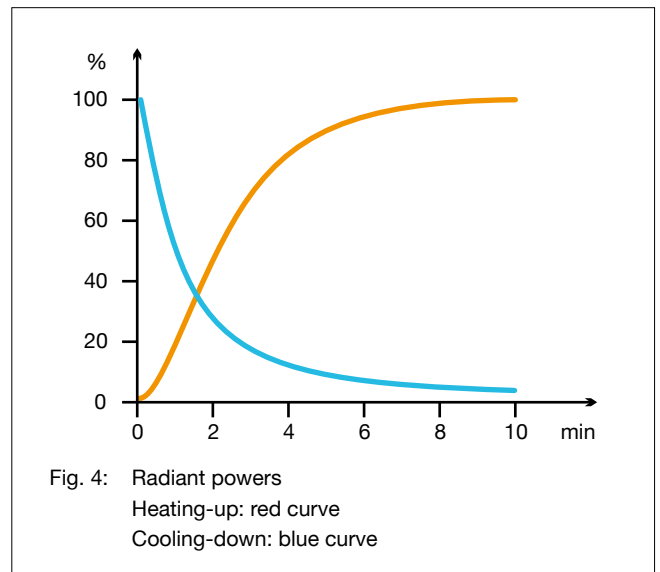
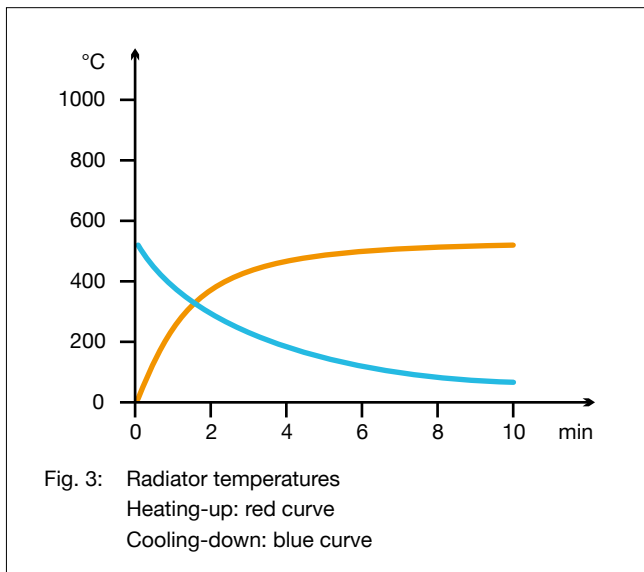


Figure 2: Mounting dimensions and radiator dimensions () in mm



Type, weight, wattage	IPO	75 g	150	W
Surface rating			38.4	kW/m ²
Typical operating temperature			510	°C
Maximum permissible temperature			550	°C
Wavelength range			2 - 10	µm

Standard design	Thermocouple radiators	Variants
Operating voltage 230 V Ceramic hollow casting White glaze E27 Edison screw cap	Not available. For means of controlling output see below.	Special wattages Special voltages

The power can be adjusted using proprietary power controllers or dimmers.

Porcelain or metal sockets with porcelain inserts are to be used both for electrical and mechanical connection of Elstein IPO radiators. The sockets must not contain any plastic components.

The national safety regulations must be complied with for the respective application, for example, the IEC or EN standard 60519-1, Safety in electrical heating installations.

Our instructions for mounting, operation and safety must be observed.