

RX/TXD – RECEIVER-TRANSMITTER UNIT VERSATILE ENCODER INTERFACE



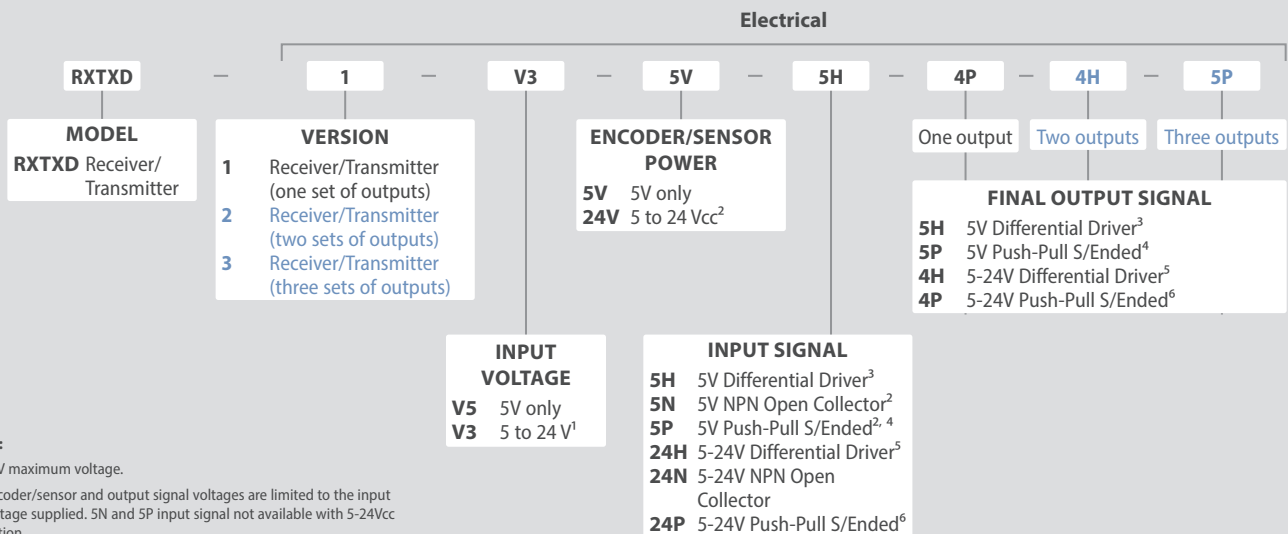
FEATURES

- DIN rail mount
- Level changes from Vcc to 5V
- Signal Conditioner or Repeater for distance transmission
- 2 or 3-way splitter/level changer
- Encoder tester/verifier

This lightweight DIN rail mountable unit, Line Driver and Line Receiver is composed of a PC/ABS self-extinguishing material blend. Configurable as a level changer, line repeater, splitter or encoder tester, the RX/TXD will accept TTL, RS422, RS485, PP, NPN, NPN OC, or PNP encoder inputs at 5V, or HTL, PP, NPN, NPN OC & PNP at 5-24V. It will provide up to three outputs in any combination of TTL, RS422, RS485, PP, at 5V, or HTL, PP at 5-24V. A series of LEDs on the front panel indicates power and signal presence. Connections are made via the easily accessible screw terminals as standard. This device may be used as both a Line Driver and Line Receiver.

RX/TXD ORDERING GUIDE

Blue type indicates price adder options. Not all configurations may be available. Contact Customer Service for details.



Notes:

- 26V maximum voltage.
- Encoder/sensor and output signal voltages are limited to the input voltage supplied. 5N and 5P input signal not available with 5-24Vcc option.
- TTL, RS422, and RS485 compatible.
- TTL, NPN (sink), PNP (source), PP.
- HTL compatible.
- NPN (sink), PNP (source), PP.

EPC RESERVES THE RIGHT TO UPDATE, REVISE AND AMEND ALL SOFTWARE AND TECHNICAL DATA OR CONTENT AT ANY TIME. EPC SHALL HAVE NO LIABILITY OF ANY KIND OR NATURE FOR ANY TECHNICAL ERRORS OR OMISSIONS IN ANY SOFTWARE OR TECHNICAL DATA. See encoder.com for more information.

RX/TXD – RECEIVER-TRANSMITTER UNIT VERSATILE ENCODER INTERFACE

RX/TXD SPECIFICATIONS

Electrical

Input Voltage5V to 26V max
 Current Consumption.....250 mA typical
 Repeater Output Voltage.....5V or Vcc
 Frequency Response.....Up to 800 KHz
 Output Current.....30 mA/channel max

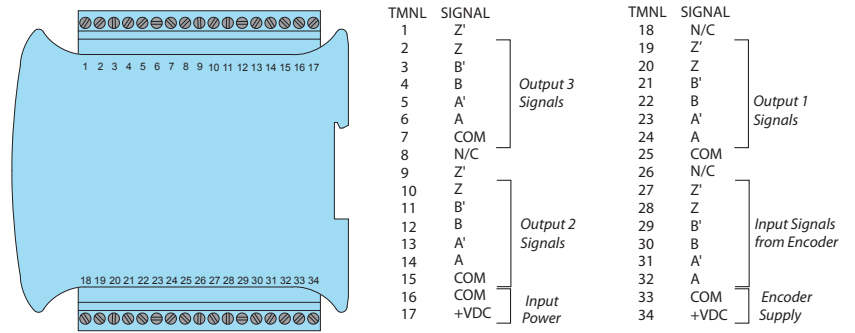
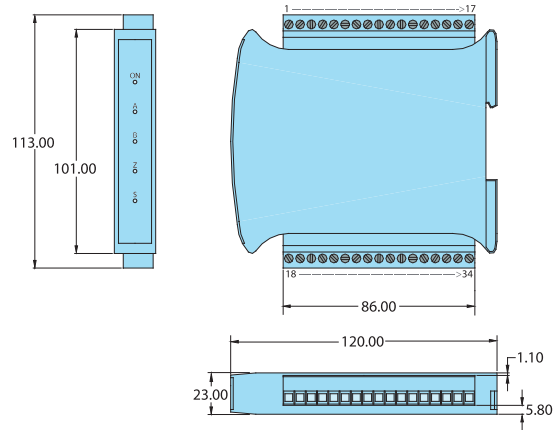
Mechanical

Weight.....250 g
 EnclosurePC/ABS, IP20
 TerminalScrew type 30/12 AWG

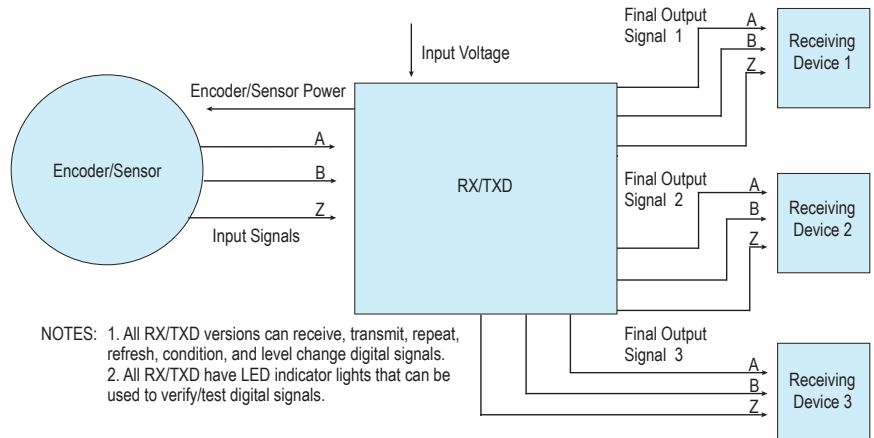
Environmental

Operating Temp0° C to 85° C

RX/TXD RECEIVER-TRANSMITTER



All inputs and outputs may not be present, depending on the RX/TXD version.



NOTES: 1. All RX/TXD versions can receive, transmit, repeat, refresh, condition, and level change digital signals.
 2. All RX/TXD have LED indicator lights that can be used to verify/test digital signals.