



# Mi6D Series

60mm Surface Mount Dome-type LED Indicator



- Compact, stylish design with excellent visibility
- Mounted on any surface with screws or magnet
- Single-color or Multi-color models available
- Lead wire or M12 connector cable type

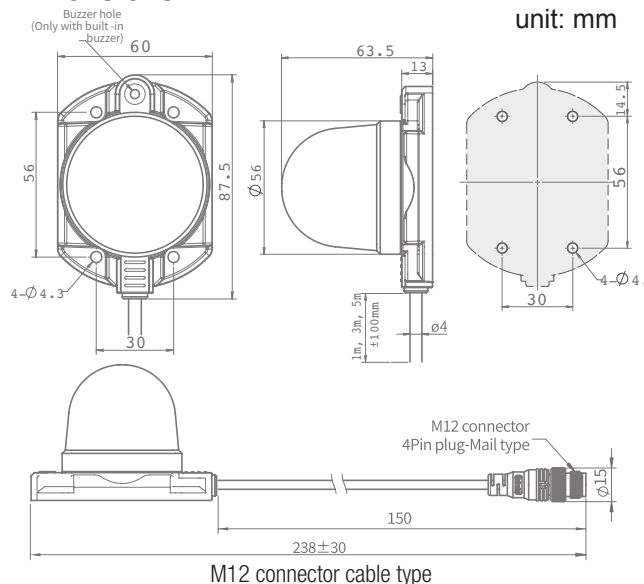
## Ordering Information

Mi6D - G F 02 R - L1  
 ① ② ③ ④ ⑤

① Mount	G	Screw fixed type	
	M	Magnet fixed type	
② Function	L	Steady	
	F	Steady + Flashing	
	B	Flashing + Buzzer*	
③ Voltage	02	24VDC	
④ LED Colors	1Color type	R	Red
		Y	Yellow
		G	Green
		B	Blue
		W	White
	Multi color	RG	Red/Green
		RB	Red/Blue
	RBG	7 color combinations	
⑤ Length of Power Cable	Lead wire type	L1	1m
		L3	3m
		L5	5m
	M12 Connector cable type	CM	150mm

\* Buzzer type is not available for Multi-color models with M12 Connector cable.

## Dimensions



\* For 2-color LED RG / RB products, it operates as follows when power is applied.

L type	F type	B type
1. Red LED Steady 2. Green(Blue) Steady	1. Red LED Flashing 2. Green(Blue)LED Steady	1. Red LED Flashing + Buzzer ON 2. Green(Blue)LED Steady

## Specifications

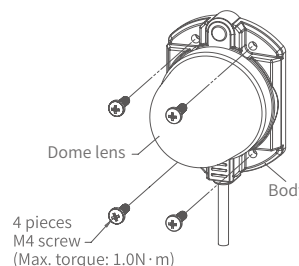
Power Supply	24V DC ±10%
Function	1Color - F type: Steady/Flashing , B type: Flashing + Buzzer ON Multi color - L type: Steady , F type: Steady/Flashing B type: Steady/Flashing+Buzzer ON
Material	Body - PA6 resin, Lenses - PC resin, Cable bush - aluminum
Flashing cycle	1Color product - 75±5 times/minute , 2Color product - 70±5 times/minute
Buzzer volume	Max 70±5dB (1M) , intermittent sound (beep- beep-)
Fixing Method	G type : Fix the body to the surface using M4 bolts (4 pcs.) M type: Attach the body with built-in magnet to the metal surface
Degree of Protection	Standard: IP65 , Buzzer type: IP60
Ambient Temperature	-20 ~ +50°C (No Freezing)
Storage Temperature	-30 ~ +70°C (No Freezing)
Ambient Humidity	45~85% RH (No Condensation)
Vibration-Resistant	30Hz (1 Minute Cycle) 1 Hours Double Amplitude 0.5mm in X, Y, Z respective Direction
Certification	CE, RoHS

	(Screw fixed type)	(Magnet fixed type)
Weight (Based on 1M power cable)	Mi6D-GF type: app. 91g Mi6F-GB type: app. 100g	Mi6D-MF type: app. 104g Mi6F-MB type: app. 108g

	1 Color	1Color Buzzer type	Multi Colors	2Color Buzzer type
Current ±5mA	Red LED - 72mA Yellow LED - 86mA Green LED - 99mA Blue LED - 84mA White LED - 84mA	Red LED - 80mA Yellow LED - 91mA Green LED - 103mA Blue LED - 93mA White LED - 93mA	F type RG LED - 47mA F type RB LED - 47mA L type RG LED - 75mA L type RB LED - 85mA L type RGB LED - 100mA	B type RG / RB LED 69mA
LED Color	R - Red , Y - Yellow , G - Green , B - Blue W - Milky white lens		RG - red/green , RB - red/blue , RBG-red/blue/green	
Lens Color	red LED - Red lens yellow LED - Yellow lens green LED - Green lens blue LED - Blue lens white LED - Milky white lens		Milky white lens	
Cable Spec	UL2095 23AWGx2C, external dimensions: ø4mm Allowable cable bending radius: 30mm		UL2095 23AWGx4C, external dimensions: ø4mm Allowable cable bending radius: 30mm	
Product brightness (lm)	red: 9 lm yellow: 6 lm green: 15 lm blue: 3.5 lm white: 28 lm		red: 14 lm green: 24 lm blue: 4.5 lm	

- Due to characteristics of the LED, color temperature, brightness and hue will differ for every LED and every product.

## Product installation



- Install the indicator to the mounting surface using 4 pieces of M4 screws.
- Tighten the screws to a maximum torque of 0.8~1.0 N·m.
- Mounting screws are not provided.

4 pieces M4 screw (Max. torque: 1.0N·m)

