



Mi4D Series

40mm Surface Mount Dome-type LED Indicator



- Compact, stylish design with excellent visibility
- Space saving surface mounted type
- Single-color or Multi-color models available
- Lead wire or M12 connector cable type

Ordering Information

Mi4D - 02 R - L3
 ① ② ③

① Voltage		02	02 - 24VDC
① LED Colors	1 color	R	Red
		Y	Yellow
		G	Green
		B	Blue
		W	White
	Multi color	RG	Red/Green
		RB	Red/Blue
		RYG	Red/Yellow/Green
② Length of Power Cable		L1	1M
		L3	3M
		L5	5M
		M12 Connector cable type	CM 150mm

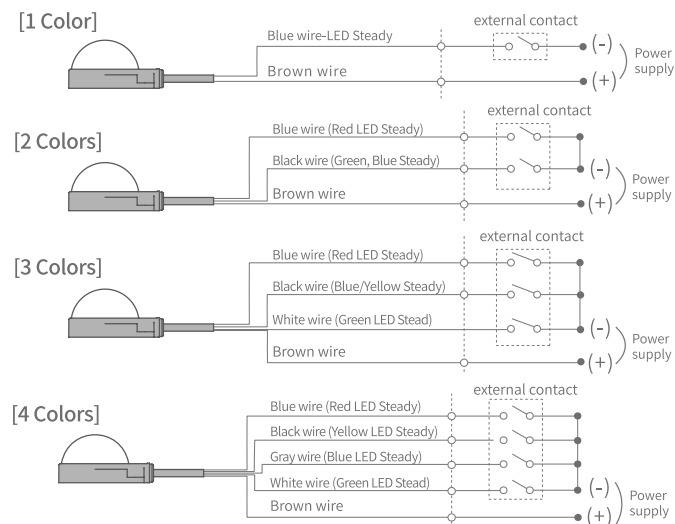
Specifications

Power Supply	24vdc ±10%
Function	LED Steady
Material	Body - PA6 Resin, Lenses - PC Resin, Cable Bush - Aluminum
Fixing Method	Fix The Body to the Surface Using M3 Bolts (2 Pcs)
Degree of Protection	IP65
Ambient Temperature	-20 ~ +50°C (No Freezing)
Storage Temperature	-30 ~ +70°C (No Freezing)
Ambient Humidity	45~85% RH (No Condensation)
Vibration-Resistant	30Hz (1 Minute Cycle) 1 Hours Double Amplitude 0.5mm in X, Y, Zrespective Direction
Certification	RoHS

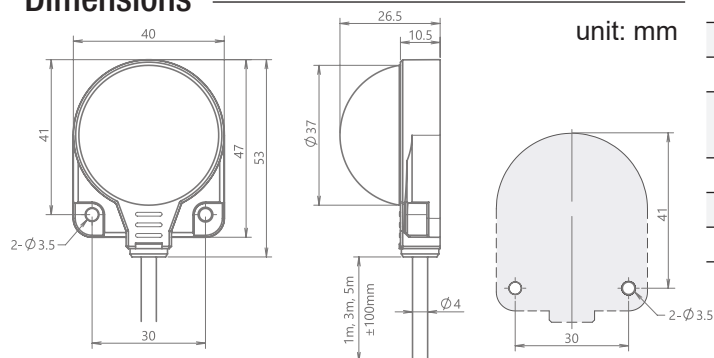
	1 Color	2 Colors	3 Colors	4 Colors
Current ±5mA	Red LED - 26mA Yellow LED - 24mA Green LED - 18mA Blue LED - 20mA White LED - 21mA	RG LED - 48mA RB LED - 48mA	RYG LED - 65mA RBG LED - 60mA	RYGB LED 110mA
Weight (1M power cable)	app. 39g	app. 42g	app. 42g	app. 45g
LED Color	R - Red Y - Yellow G - Green B - Blue W - White	RG - Red / Green RB - Red / Blue	RYG - Red / Yellow / Green RBG - Red / Blue / Green	RYGB - Red / Yellow / Green / Blue
Lens Color	R - Red Lens Y - Yellow Lens G - Green Lens B - Blue Lens W - Clear Lens	Milky White Lens	Milky White Lens	Milky White Lens
Cable Spec	UL2095 23AWG, PVC, External Dimensions: Ø4mm Allowable Cable Bending Radius: 30mm			UL2095 24AWGx5C, PVC External Dimensions: Ø5mm Allowable Cable Bending Radius: 60mm
Product luminance (cd/m²)	Red: 850 Yellow: 680 Green: 2250 Blue: 970 White: 4140	Red: 580 Green: 1850 Blue: 640	Red: 320 Yellow: 160 Green: 940 Blue: 350	Red: 240 Yellow: 130 Green: 890 Blue: 320

- Due to characteristics of the LED, color temperature, brightness and hue will differ for every LED and every product.

Wiring Diagram



Dimensions



Wiring Combination

3 Color				4 Color		
No.	Wiring work	RBG LED	RYG LED	No.	Wiring work	RYGB LED
1	Blue Wire	Red	Red	1	Blue Wire	Red
2	Black Wire	Blue	Orange	2	Black Wire	Orange
3	White Wire	Green	Green	3	White Wire	Green
4	Blue+White Wire	Light Green	Light Green	4	Blue+White Wire	Chartreuse
5	Blue+Black wire	Pink	Red	5	Blue+Black wire	Coral
6	White+Black wire	Cyan	Green	6	White+Black wire	Bright Green
7	Blue+White+ Black	White	Yellow	7	Blue+White+ Black Wire	Light Green
				8	Gray Wire	Blue
				9	Gray+Blue Wire	Lilac
				10	Gray+White Wire	Cyan
				11	Gray+Black Wire	Periwinkle
				12	Gray+ Blue+White Wire	Light Sky Blue
				13	Gray+ White+ Black Wire	Light Blue