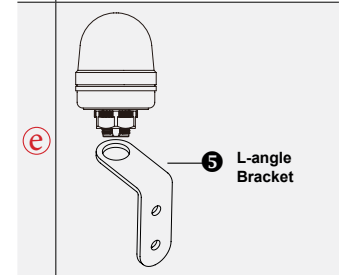
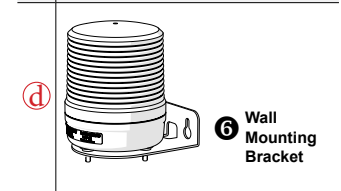
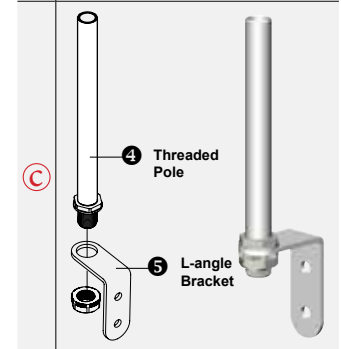
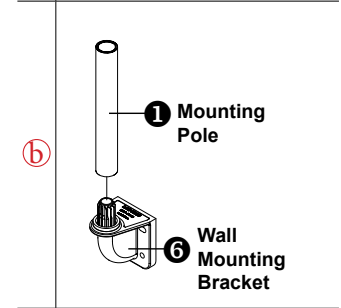
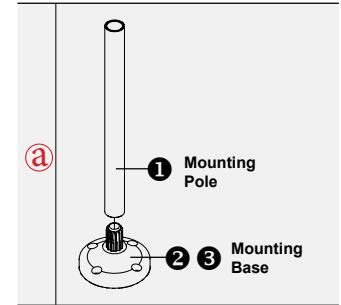


Mounting Options

Series		Pole with Base Mounting ^a		Pole + Wall Mounting		Direct Wall Mounting (without Pole)
		Pole	Mounting Base	Pole	Wall Mount Bracket	
Stack Lights	PTE/PTM *	MAP-0022 MAP-0060 MAP-0240 MAP-0750 MAP-1000	MAM-B070C MAM-B070D MAM-DS32 MAM-470R-20 MAM-DS42R-20C	MAP-0022 MAP-0060 MAP-0240 MAP-0750 MAP-1000	MAP-DS40	Direct Mounting Type: MAM-DS25 ^e
	PME					MAM-DS25
	MT4B/5B/5C			MAP-M043 MAP-M240 MAP-M750 MAP-M1000	MAM-DS25	
	MT8B/8C **					MAP-M240-22D (ø22mm)
	PY7	N/A		M Type: MAM-DS25 ^e G Type: MAM-DS38 ^d		
	PLD	N/A		MAM-DS25 ^e		
	MSG5	Stud Mounting Type		MAM-DS33 ^d		
Beacon Lights	MS66	MAP-0022 MAP-0060 MAP-0240 MAP-0750 MAP-1000	MAM-B070C MAM-B070D MAM-DS32 MAM-470R-20 MAM-DS42R-20C	MAP-0022 MAP-0060 MAP-0240 MAP-0750 MAP-1000	MAP-DS40	M Type: MAM-DS25 ^e G Type: MAP-DS30 ^d MAM-DS28
	ASG ***					MAP-M043 MAP-M240 MAP-M750 MAP-M1000
	MS86 ***			MAP-M240-22D (ø22mm)	MAM-DS25	
	MS70	SAM-T115 (ø25mm Pole)				MAM-DS38
	MS115	SAM-T135 (ø25mm Pole)		MAM-DS37 ^d		
	MS135	Stud Mounting Type		MAP-DS30 ^d MAM-DS26		
	ML	Stud Mounting Type		MAM-DS25 ^e		
	MS56	Stud Mounting Type		MAM-DS27 ^d		
	AVG	Stud Mounting Type				



* MAP-0022 cannot be used with PTE/PTM series.

** Mounting base MAM-B090C is used for MT8B/8C.

*** ASG & MS86 needs pole adapter MAM-DS31 for pole mounting.

Mounting Pole ①



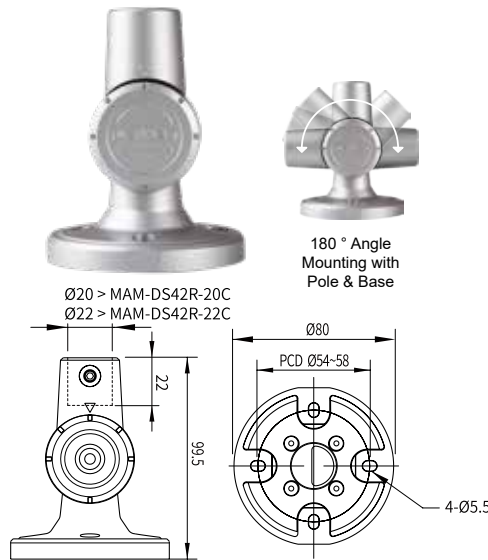
Part	Part #	Description
	MAP-0022*	Ø20mm, 0.87 in (22 mm) pole
	MAP-0060	Ø20mm, 2.36 in (60 mm) pole
	MAP-0240	Ø20mm, 9.45 in (240 mm) pole
	MAP-0750	Ø20mm, 29.53 in (750 mm) pole
	MAP-1000	Ø20mm, 39.37 in (1,000 mm) pole
	MAP-225-22	Ø22mm, 8.86 in (225 mm) pole 1/2 NPT Thread top

①

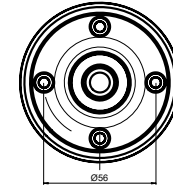
* MAP-0022 CANNOT be used with PTE & PTM Series.

③ Aluminum Mounting Bases

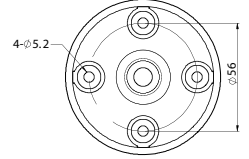
MAM-DS42R-20C
MAM-DS42R-22C



MAM-DS32

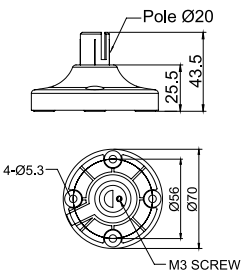


MAM-DS32C

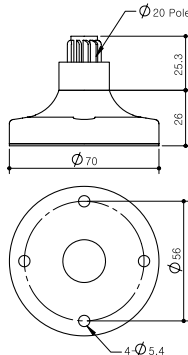


Plastic Mounting Bases ②

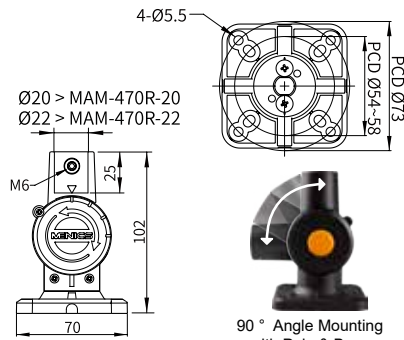
MAM-B070C



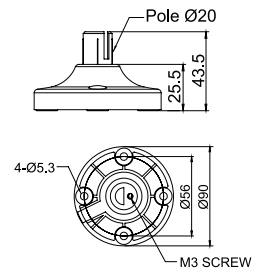
MAM-B070D



MAM-470R-20
MAM-470R-22

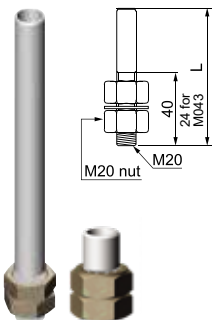


MAM-B090C



Part	Part #	Description
	MAM-B070C	Ø70mm Plastic Base
	MAM-B070D	Ø70mm Plastic Base with Water-Proof Rubber Gasket
②	MAM-470R-20	Ø70mm Plastic Folding Base 90° angle, for 20mm pole
	MAM-470R-22	Ø70mm Plastic Folding Base 90° angle, for 22mm pole
	MAM-B090C	Ø90mm Plastic Base

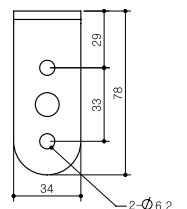
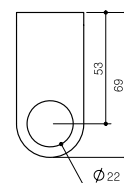
Threaded Poles ④



④	MAP-M043	Ø20mm, 1.69 in (43 mm) threaded pole with 2 nuts
	MAP-M240	Ø20mm, 9.45 in (240 mm) threaded pole with 2 nuts
	MAP-M750	Ø20mm, 29.53 in (750 mm) threaded pole with 2 nuts
	MAP-M1000	Ø20mm, 39.37 in (1,000 mm) threaded pole with 2 nuts
	MAP-M240-22D	Ø22mm, 9.45 in (240 mm), 1/2 NPT thread top & 2 x M20 Nuts bottom

⑤ L-angle Bracket

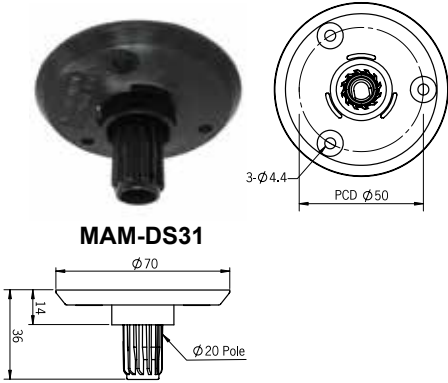
MAM-DS25



Pole Adaptor

Conduit Direct Mount Option

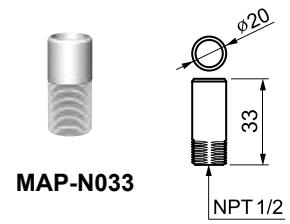
Pole Mounting Adaptor



Pole Extension Adaptor



1/2" NPT
Mounting Adaptor



Semi-assembled Pole Mounting Base

SAM-T115

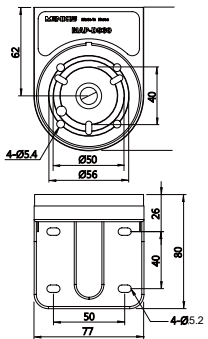


SAM-T135

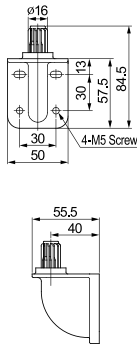


Wall Mounting Brackets ⑥

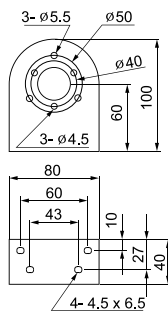
MAP-DS30



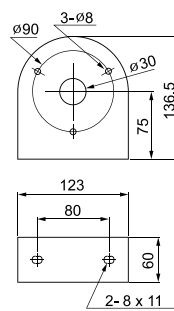
MAP-DS40



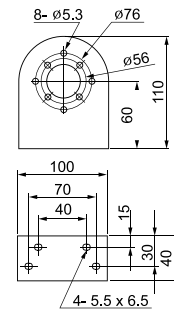
MAM-DS26



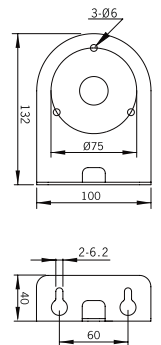
MAM-DS27



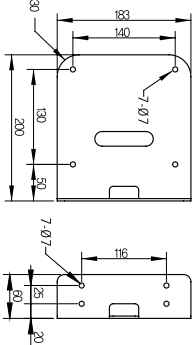
MAM-DS28



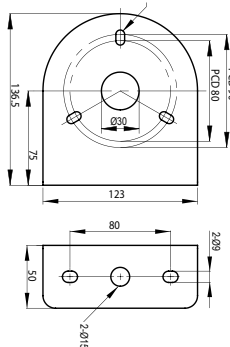
MAM-DS29



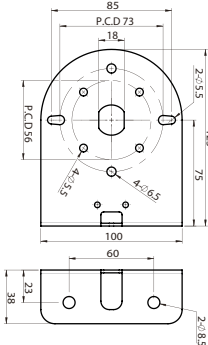
MAM-DS33



MAM-DS37



MAM-DS38



Part	Part #	Description
	MAP-DS30-BLK	Plastic Wall Mounting Bracket, Black
	MAP-DS30-BGE	Plastic Wall Mounting Bracket, Beige
	MAP-DS40-BLK	Plastic Wall Mounting Bracket, Black (Pole required)
	MAP-DS40-BGE	Plastic Wall Mounting Bracket, Beige (Pole required)
⑥	MAM-DS26	Metal Wall Mounting Bracket
	MAM-DS27	Metal Wall Mounting Bracket
	MAM-DS28	Metal Wall Mounting Bracket
	MAM-DS29	Metal Wall Mounting Bracket
	MAM-DS33	Metal Wall Mounting Bracket
	MAM-DS37	Metal Wall Mounting Bracket
	MAM-DS38	Metal Wall Mounting Bracket