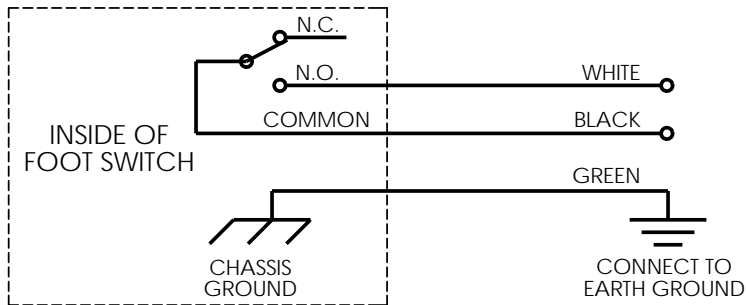
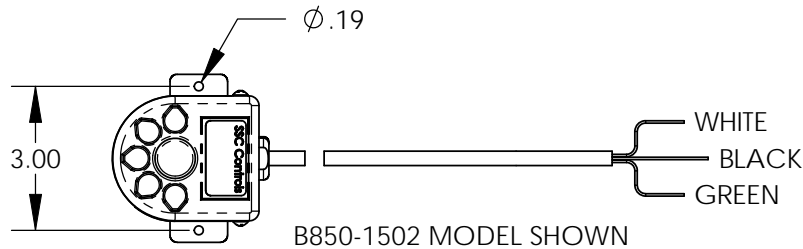
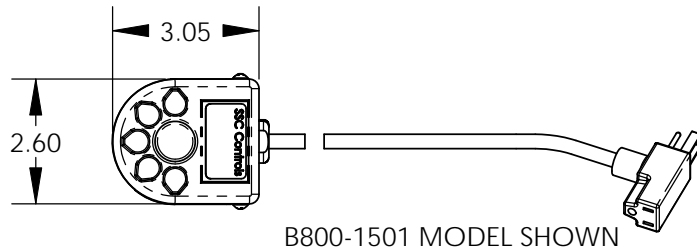
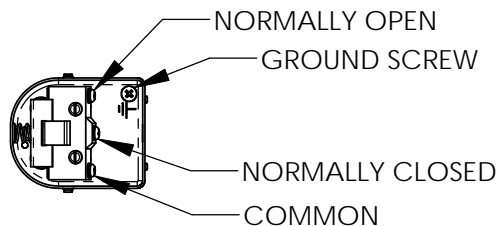


THE INFORMATION CONTAINED IN THIS DRAWING IS THE SOLE PROPERTY OF THE SSC CONTROLS COMPANY AND IS NOT TO BE USED, REPRODUCED, OR DISCLOSED WITHOUT THE EXPRESS WRITTEN PERMISSION OF THE SSC CONTROLS COMPANY.

CABLE LENGTH (ALL UNITS): 8 FEET
 NEMA/CSA/UL ENCLOSURE TYPE 1
 ALL DIMENSIONS ARE FOR REFERENCE ONLY.



WIRING DIAGRAM: B800 AND B850 MODELS WITH LEADS
 (SHOWN IN "AT-REST" OR OFF POSITION)



B900 AND B950 (USER-INSTALLED CABLE):
 ATTACH #6 INSULATED SPADE TERMINALS TO SWITCH TERMINALS
 (DO NOT REMOVE SCREW TERMINALS; MAY BE DIFFICULT TO RE-INSERT).
 ATTACH #8 RING TERMINAL TO GROUND SCREW.

MODELS WITH 3-PRONGED PLUG
 PLUG INTO ANY STANDARD 120V WALL OUTLET (UNITED STATES),
 THEN PLUG YOUR DEVICE INTO THE BACK END OF THAT PLUG.
 WHEN YOU PRESS THE FOOT SWITCH, THE DEVICE WILL TURN ON.

ELECTRICAL RATING (MODEL NUMBER IN PARENTHESIS):
 10 AMPS @ 125 VAC (B800-1001, B850-1001, ETC.)
 15 AMPS @ 125 VAC (B800-1501, B850-1501, ETC.)

MODELS WITH LEADS
 SEE WIRING DIAGRAM. NOTES ON WIRING:
 1) THE SWITCH IS TYPICALLY WIRED INTO ONE SIDE OF THE ELECTRICAL
 CIRCUIT (NORMALLY THE "HOT" SIDE, IF APPLICABLE).
 2) FOLLOW ALL APPLICABLE ELECTRICAL CODES AND CONSULT AN
 ELECTRICIAN WITH QUESTIONS.
 3) THE WHITE AND BLACK LEAD COLORS ON THE FOOT SWITCH CABLE
 HAVE NO RELEVANCE TO HOUSEHOLD WIRING.

ELECTRICAL RATING (MODEL NUMBER IN PARENTHESIS):
 10 AMPS @ 125/250 VAC (B800-1002, B850-1002, ETC.)
 15 AMPS @ 125/250 VAC (B800-1502, B850-1502, ETC.)

WARNING: TO AVOID PERSONAL INJURY, DO NOT USE FOOT SWITCHES
 ON MACHINERY LACKING EFFECTIVE POINT-OF-OPERATION SAFEGUARDS.
 DISCONNECT INPUT POWER BEFORE INSTALLATION OR MAINTENANCE.
 ONLY A QUALIFIED ELECTRICIAN SHOULD SELECT AND INSTALL THIS FOOT
 SWITCH. REVIEW THE FOOT SWITCH SAFETY WARNING BEFORE THE
 SELECTION, INSTALLATION, USE, AND MAINTENANCE OF THIS CONTROL.
 THE FOOT SWITCH SAFETY WARNING IS SUPPLIED WITH EACH FOOT
 SWITCH (OR CONTACT SSC FOR ADDITIONAL COPIES).

<h1>The SSC Controls Company</h1>		8909 EAST AVENUE MENTOR, OHIO, USA 44060
UNLESS OTHERWISE SPECIFIED, DIMENSIONS ARE IN INCHES AND TOLERANCES ARE AS FOLLOWS: FOR 2 DECIMAL PLACES: ± .02 FOR 3 DECIMAL PLACES: ± .002 FOR ANGLES: ± .5 OF A DEGREE	DRAWING INFORMATION	DRAWING NAME:
	DRAWN BY: BAM	B-SERIES FOOT SWITCH WIRING DIAGRAM
	CHECKED BY: JEM	DRAWING NUMBER:
	DATE: 10/31/14	31200
	SCALE: NONE	