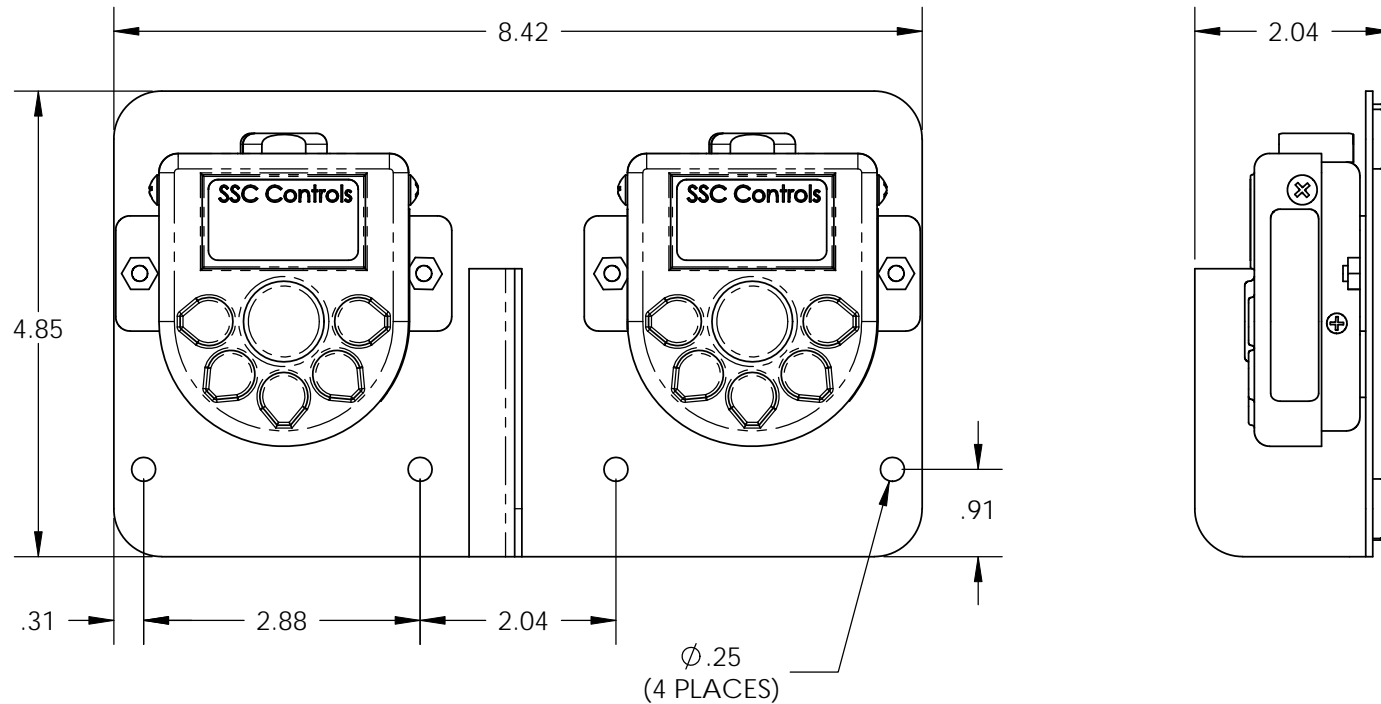
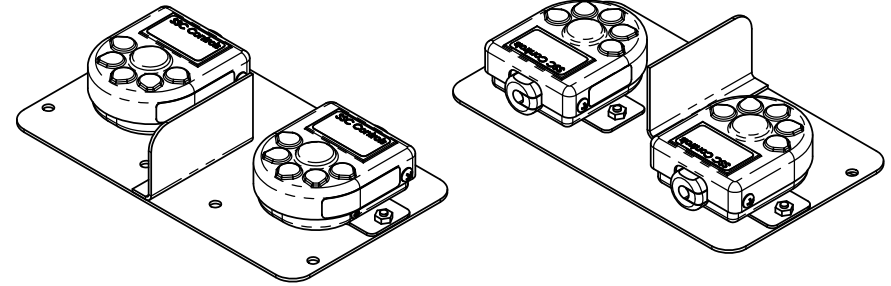


THE INFORMATION CONTAINED IN THIS DRAWING IS THE SOLE PROPERTY OF THE SSC CONTROLS COMPANY AND IS NOT TO BE USED, REPRODUCED, OR DISCLOSED WITHOUT THE EXPRESS WRITTEN PERMISSION OF THE SSC CONTROLS COMPANY.



WEIGHT: 1.9 POUNDS
ENCLOSURE TYPE 1

CAN BE USED WITH ANY TWO B-SERIES UNITS WITH BRACKETS
(MODELS B850 AND B950).

INCLUDES RUBBER BUMPER FEET; ALSO INCLUDES MOUNTING
HOLES FOR ATTACHMENT TO FLOOR OR EQUIPMENT.

NOTE: DIMENSIONS ARE FOR REFERENCE ONLY.

The SSC Controls Company

8909 EAST AVENUE
MENTOR, OHIO, USA 44060

UNLESS OTHERWISE SPECIFIED,
DIMENSIONS ARE IN INCHES
AND TOLERANCES ARE AS FOLLOWS:

FOR 2 DECIMAL PLACES: $\pm .02$
FOR 3 DECIMAL PLACES: $\pm .002$
FOR ANGLES: $\pm .5$ OF A DEGREE

DRAWING INFORMATION

DRAWN BY: N/A

CHECKED BY: N/A

DATE: 3/25/14

SCALE: 1:2

DRAWING NAME:

**DB-SERIES
EXTERIOR DIMENSIONS**

DRAWING NUMBER:

N/A