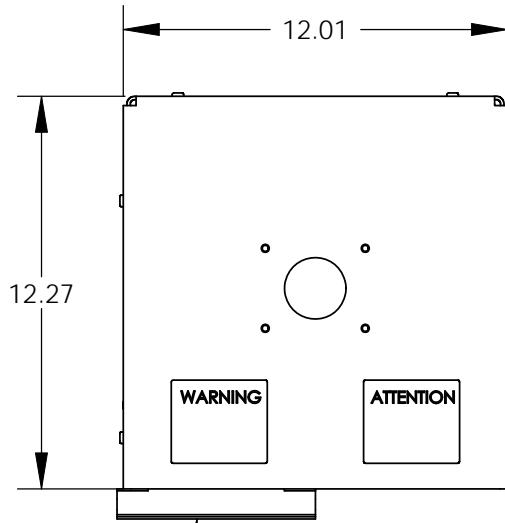
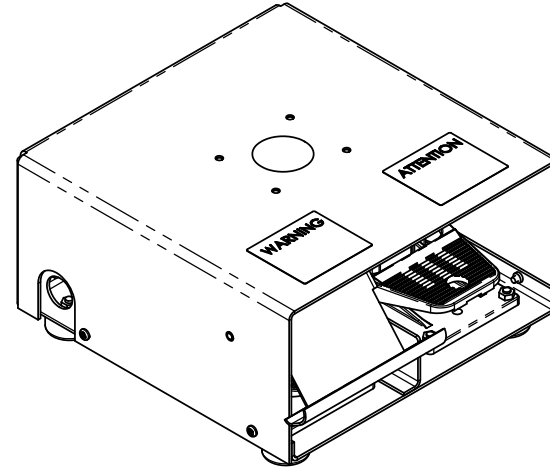
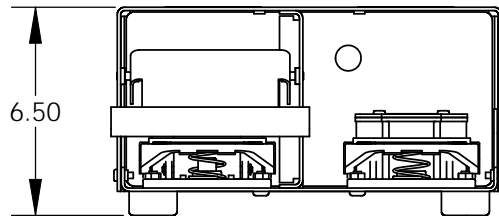


THE INFORMATION CONTAINED IN THIS DRAWING IS THE SOLE PROPERTY OF THE SSC CONTROLS COMPANY AND IS NOT TO BE USED, REPRODUCED, OR DISCLOSED WITHOUT THE EXPRESS WRITTEN PERMISSION OF THE SSC CONTROLS COMPANY.



OPTIONAL GATE  
(LEFT SIDE ONLY)



THE BGX500 INCLUDES ANY TWO GX-SERIES FOOT SWITCHES MOUNTED INSIDE THE STEEL ENCLOSURE WITH FOUR RUBBER BUMPER FEET. THERE IS A CONNECTION AREA INSIDE THE BACK OF THE COVER FOR WIRING AND A CABLE EXIT POINT OUT OF EITHER THE LEFT OR RIGHT SIDES.

WEIGHT (APPROXIMATE): 23 POUNDS

CONTACT INFORMATION:

THE SSC CONTROLS CO.  
PH: 440-205-1600  
FAX: 440-205-1700  
EMAIL: MAIL@SSCCONTROLS.COM  
WEBSITE: WWW.SSCCONTROLS.COM

## The SSC Controls Company

8909 EAST AVENUE  
MENTOR, OHIO, USA 44060

UNLESS OTHERWISE SPECIFIED,  
DIMENSIONS ARE IN INCHES  
AND TOLERANCES ARE AS FOLLOWS:  
  
FOR 2 DECIMAL PLACES:  $\pm .02$   
FOR 3 DECIMAL PLACES:  $\pm .002$   
FOR ANGLES:  $\pm .5$  OF A DEGREE

DRAWING INFORMATION	
DRAWN BY:	BAM
CHECKED BY:	JEM
DATE:	7/16/08
SCALE:	N/A

DRAWING NAME:	
<b>EXTERIOR DIMENSIONS BGX500 DUAL BOX</b>	
DRAWING NUMBER:	
<b>N/A</b>	