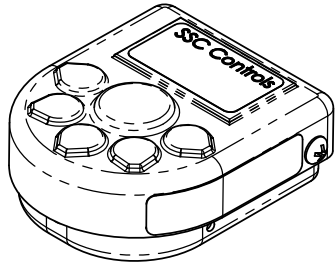
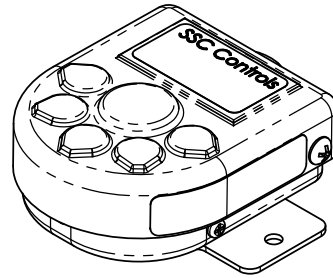
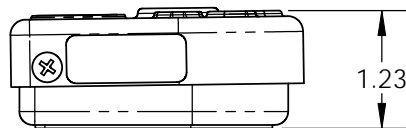
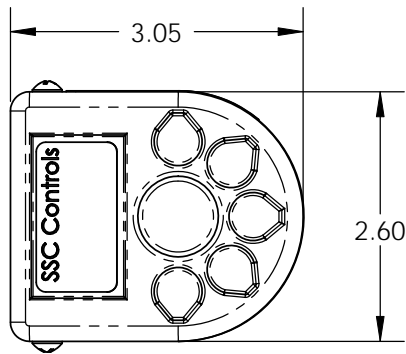


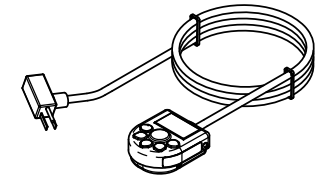
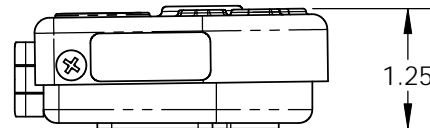
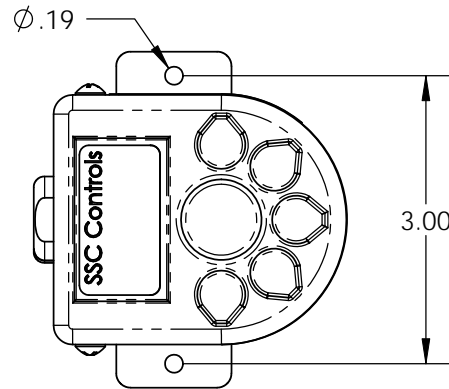
THE INFORMATION CONTAINED IN THIS DRAWING IS THE SOLE PROPERTY OF THE SSC CONTROLS COMPANY AND IS NOT TO BE USED, REPRODUCED, OR DISCLOSED WITHOUT THE EXPRESS WRITTEN PERMISSION OF THE SSC CONTROLS COMPANY.



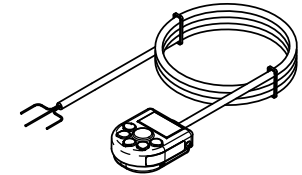
MODELS B800 AND B900
(HAVE TRACTION PAD)



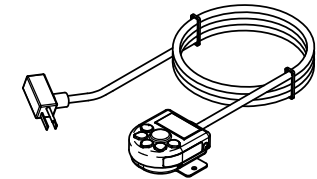
MODELS B850 AND B950
(HAVE 2-HOLE MOUNTING BRACKET)



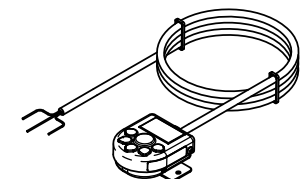
B800-1501 FINAL ASSEMBLY



B800-1502 FINAL ASSEMBLY



B850-1501 FINAL ASSEMBLY



B850-1502 FINAL ASSEMBLY

WEIGHT: 0.5 POUNDS
NEMA/CSA/UL ENCLOSURE TYPE 1

NOTE: DIMENSIONS ARE FOR REFERENCE ONLY.

The SSC Controls Company

8909 EAST AVENUE
MENTOR, OHIO, USA 44060

UNLESS OTHERWISE SPECIFIED,
DIMENSIONS ARE IN INCHES
AND TOLERANCES ARE AS FOLLOWS:

FOR 2 DECIMAL PLACES: ± .02
FOR 3 DECIMAL PLACES: ± .002
FOR ANGLES: ± .5 OF A DEGREE

DRAWING INFORMATION	
DRAWN BY:	N/A
CHECKED BY:	N/A
DATE:	3/25/14
SCALE:	1:2

DRAWING NAME:	
B-SERIES EXTERIOR DIMENSIONS	
DRAWING NUMBER:	
N/A	