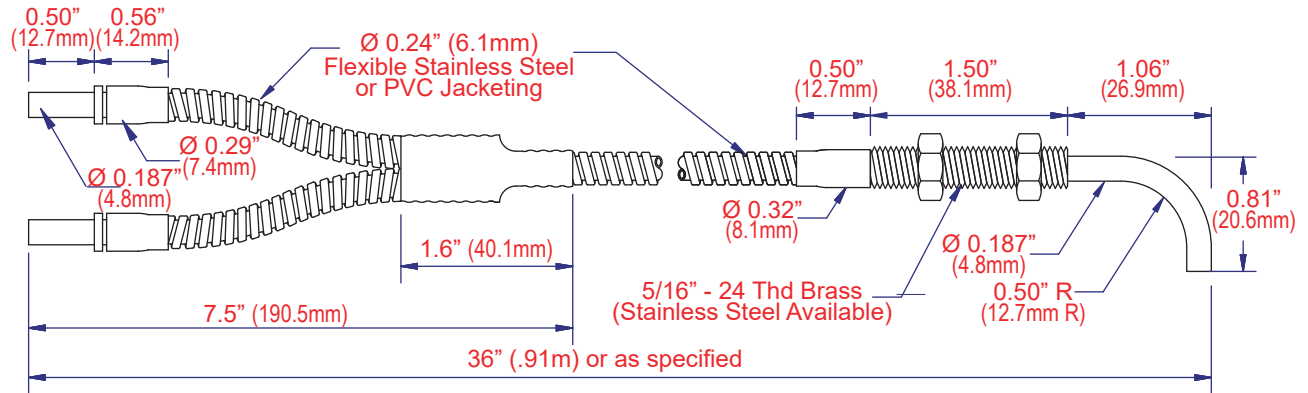


BF-A-XXRT



Bundle Size A  Ø 0.125" (3.2mm)