

LNK-XT Network Extender

FIXED SYSTEMS



The LNK-XT Network Extender peripheral device works as a signal booster allowing transmission and receipt of gas readings over a larger total area. It extends the range of the Modbus® communication network allowing a longer distance between the Controller and the gas detectors. The micro controller quickly passes Modbus information packets from the master side of the LNK-XT to the extension side, seamlessly without interruption.

Multiple LNK-XT peripheral devices may be required depending on the size of the application. An LNK-XT is recommended every 2000 ft, approximately every 32 transmitters.

Ideal for large applications to create an efficient distribution network of specialized gas detection devices that can communicate over a large distances.

KEY FEATURES

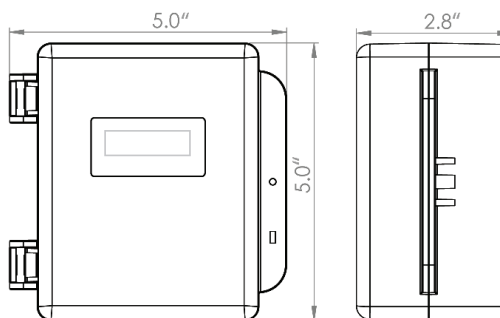
- » Extends transmission range of the Modbus® network
- » Boosts communication signal strength
- » Power LED indicator
- » Standard Modbus® RS-485 RTU protocol
- » Standard water / dust tight, corrosion resistant enclosure (drip proof)

APPLICATIONS

- » Parking Garages
- » Manufacturing Plants
- » Refrigeration and Cold Storage Rooms
- » Food Processing Plants
- » Wastewater Treatment Plants
- » ... and many more



TECHNICAL DRAWING



TECHNICAL SPECIFICATIONS

MECHANICAL

Enclosure	ABS / Polycarbonate, corrosion resistant, drip proof; Copper coated interior to reduce RF interference.
Weight	400 g (14 oz)
Size	5.0" x 5.0" x 2.8" (127 mm x 127 mm x 71 mm)

USER INTERFACE

Indicator	LED green indicator for power
-----------	-------------------------------

ENVIRONMENTAL

Operating Temperature	-20°C to 40°C (-4°F to 104°F)
Humidity	15 to 90% non-condensing

ELECTRICAL

Power Requirements	24 VDC, 1W, Class 2 (from daisy-chain wire run from controller or RPS-24VDC)
Wiring	4-wire VDC, 16 gauge, 4-conductor shielded network wiring (daisy-chain)
Circuit	Programmable microprocessor
Fuse	Thermal, resetting

INPUT / OUTPUT

Bidirectional Communication	Modbus® RS-485 RTU Baud Rate: 19,200
-----------------------------	---

CERTIFICATION

Conforms to:	CSA-C22.2 No. 205-12, CSA-C22.2 No. 61010-1-12 UL508 (Edition 17):2007, UL 61010-1 (Edition 3)
Conforms to:	EMC Directive 2004/108/EC EN 50270:2006, Type 1, EN61010
Conforms to:	FCC. This device complies with Part 15 of the FCC Rules.

Modbus® is a registered trademark of Gould Inc. Corporation.



GAS DETECTION PERIPHERAL DEVICES DATASHEET

LNK-XT Network Extender

COMPATIBLE CETCI PRODUCTS

The LNK-XT works with the QCC and the FCS models. Refer to the datasheet for each model for more information.

PRODUCT CODES

LNK-XT BUS network extender, signal booster

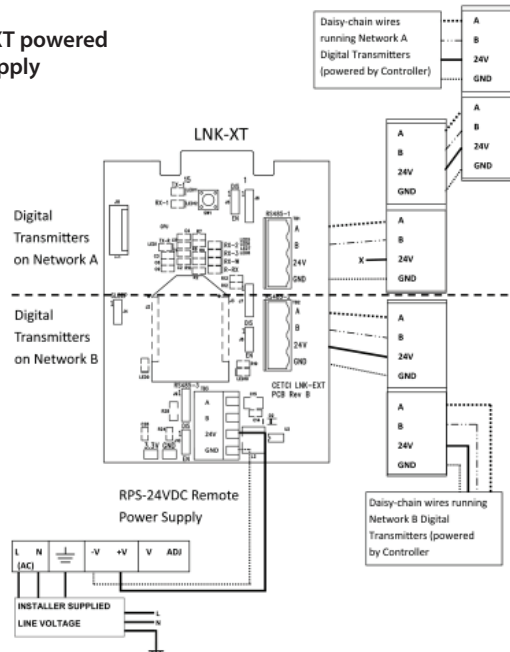
ACCESSORIES

SCS-8000-RSG	Small galvanized metal, 16 gauge protective guard
RPS-24VDC	Remote Power Supply, 24 VDC output
UPS-MGE-81600	Power backup battery system, 120VAC input/output

FIXED SYSTEMS

WIRING DIAGRAMS

Wiring Example: LNK-XT powered by a Remote Power Supply



Wiring Example: LNK-XT powered by the Controller

