

IR Longpass Filter for C mount lens

ZVZG205

Part Number



Technical Data

Optical Data

Usable wavelength range	845...1100 nm
Maximum transmission	≥ 90 %
Half-value width FWHM	830 nm
Tolerance	± 10 nm

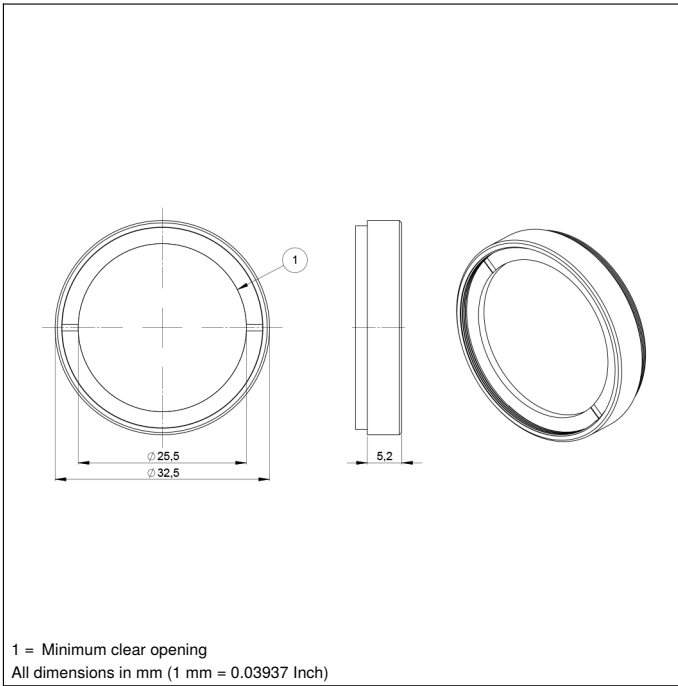
Mechanical Data

Mounting type, device-side	can be screwed
Material	Glass
Filter Screw Size	M30,5 × 0,5 mm
Temperature Range	-40...300 °C
Surface quality	40/20
Packaging unit	1 Piece

IR long-pass filters are recommended when using infrared illumination. With image processing applications that use IR illumination, interfering ambient light is filtered out, making the application more robust.

Complementary Products

Lens



Transmission curve

