

Visible Bandpass Filter for C mount lens

ZVZG204

Part Number



Technical Data

Optical Data

| | |
|-------------------------|--------------|
| Usable wavelength range | 405...690 nm |
| Maximum transmission | ≥ 90 % |
| Half-value width FWHM | 300 nm |
| Tolerance | ± 10 nm |

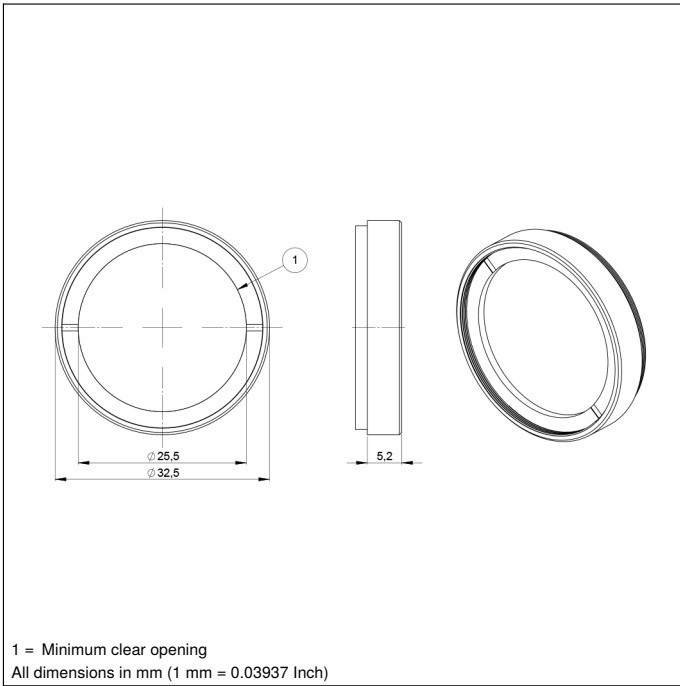
Mechanical Data

| | |
|----------------------------|----------------|
| Mounting type, device-side | can be screwed |
| Filter Screw Size | M30,5 × 0,5 mm |
| Temperature Range | -40...300 °C |
| Surface quality | 40/20 |
| Packaging unit | 1 Piece |

Bandpass filters for the visible area block all light, except visible wavelengths, without discoloring the image. They are recommended for use in applications with white light and color where there may be interference from IR and/or UV light.

Complementary Products

Lens



Transmission curve

