

# IR Longpass Filter

for C mount lens

## ZVZG201

Part Number



### Technical Data

#### Optical Data

Usable wavelength range	845...1100 nm
Maximum transmission	≥ 90 %
Half-value width FWHM	830 nm
Tolerance	± 10 nm

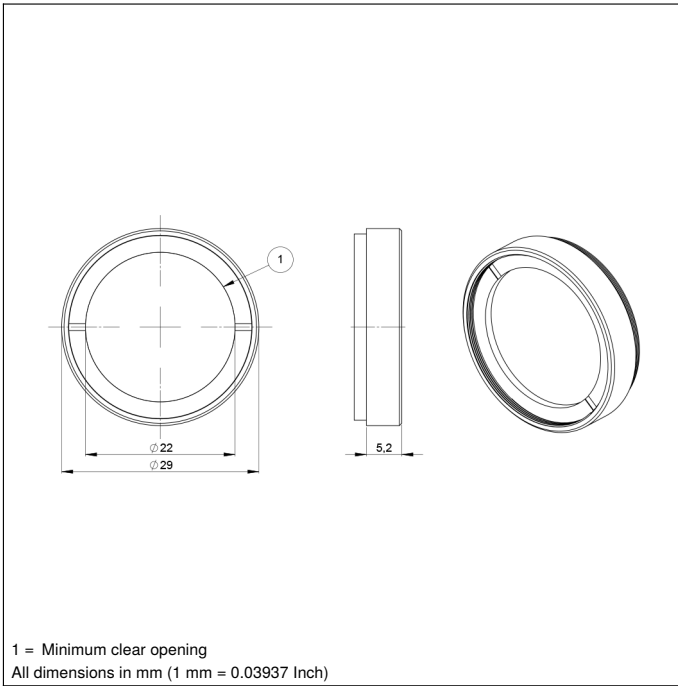
#### Mechanical Data

Mounting type, device-side	can be screwed
Material	Glass
Filter Screw Size	M27 × 0,5 mm
Temperature Range	-40...300 °C
Surface quality	40/20
Packaging unit	1 Piece

IR long-pass filters are recommended when using infrared illumination. With image processing applications that use IR illumination, interfering ambient light is filtered out, making the application more robust.

### Complementary Products

Lens



### Transmission curve

