

# Screening Grid Retainer for PNBC

## ZNBS005

Part Number



### Technical Data

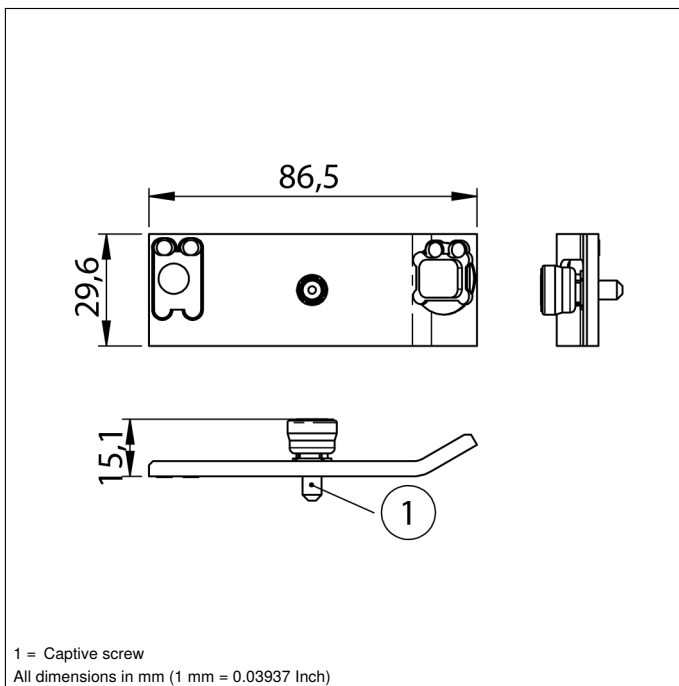
#### Mechanical Data

Material	Aluminum
Weight	30 g
Packaging unit	1 Piece

#### ● Captive mounting kit

#### Complementary Products

ZNBE002, ZNBE004 Protective Screen



Protective discs must be ordered separately (not included in scope of delivery)