

Screening Grid Retainer for MLZL

ZLSE012

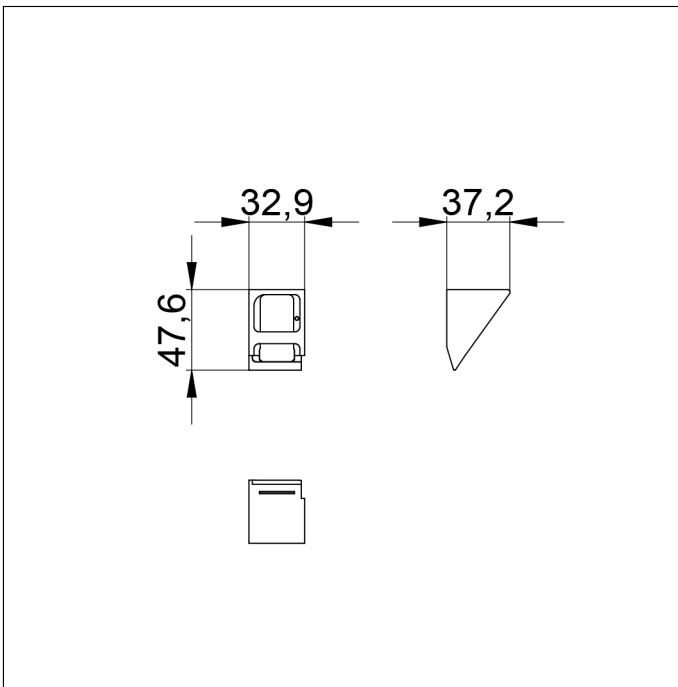


Mechanical Data

Material	Aluminum
Packaging unit	1 Piece

Complementary Products

ZLSE010, ZLSE011 Protective screen



Protective discs must be ordered separately (not included in scope of delivery)