

# Immersion Sleeve

for 75 mm G1/2" sensor

## ZH8C001

Part Number

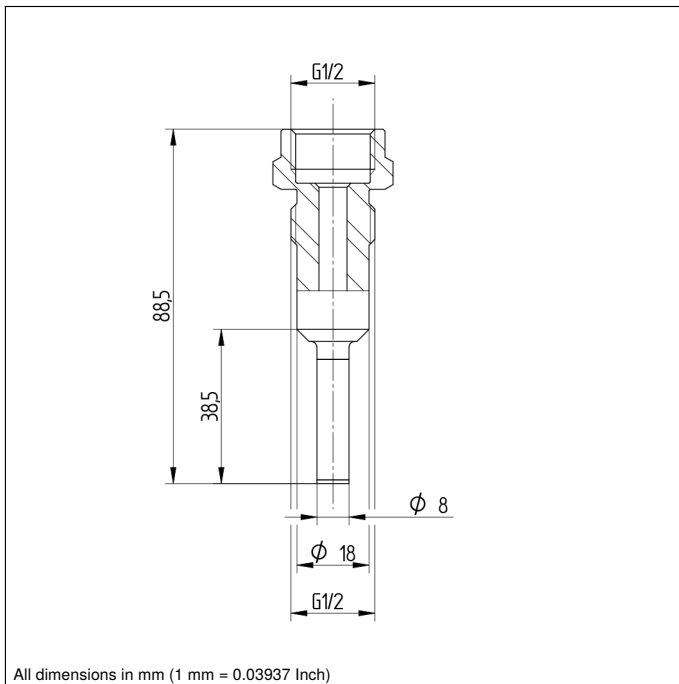


### Technical Data

#### Mechanical Data

Height	88,5 mm
Diameter	8 mm
Pressure Resistance	> 300 bar *
Material	Stainless steel 1.4404
Immersion sleeve process connection	G 1/2" hygienic design
Process connection for sensor	G 1/2"
Sensor probe length	75 mm
Sleeve immersion length	38,5 mm
T90 response delay	< 1 s
Sensor tightening torque	max. 15 Nm
Immersion sleeve tightening torque	15 Nm
Packaging unit	1 Piece
Hygienic Design	<input checked="" type="checkbox"/>

This immersion sleeve is equipped with a G1/2" process connection with hygienic design and is suitable for G1/2" temperature sensors.



\* Tested without rupturing at a peak pressure of 600 bars at 200 °C