

# Adapter

Varivent for G1/2" CIP

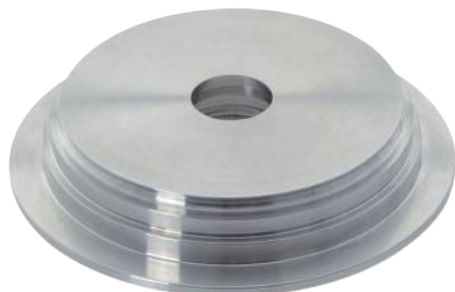
## ZH7C005

Part Number

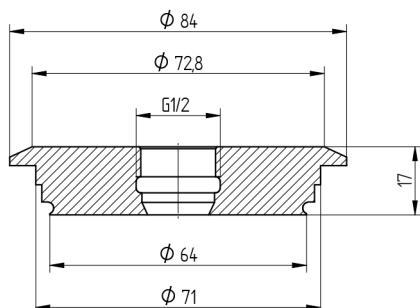
### Technical Data

#### Mechanical Data

Material	Stainless steel 1.4404
Connection	G 1/2" CIP to Varivent DN50/40
Packaging unit	1 Piece
Mounting Number	906



This Varivent adapter is suitable for the G1/2" CIP process connection.



All dimensions in mm (1 mm = 0.03937 Inch)