

# Adapter for G1/2" connections

## ZH1C010

Part Number

### Technical Data

#### Mechanical Data

Height 19 mm

Pressure Resistance 16 bar

Material CuZn

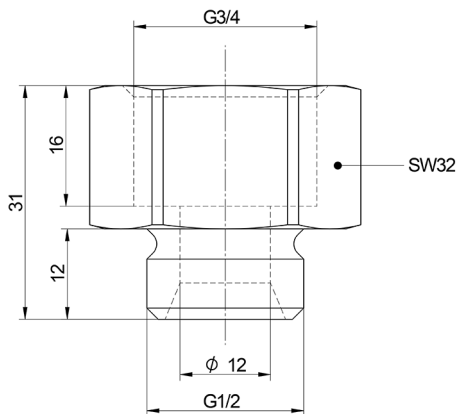
Packaging unit 1 Piece

Mounting Number

920



This screw-in adapter / reducing nipple is suitable for G3/4" sensors on G1/2" connectors.



All dimensions in mm (1 mm = 0.03937 Inch)