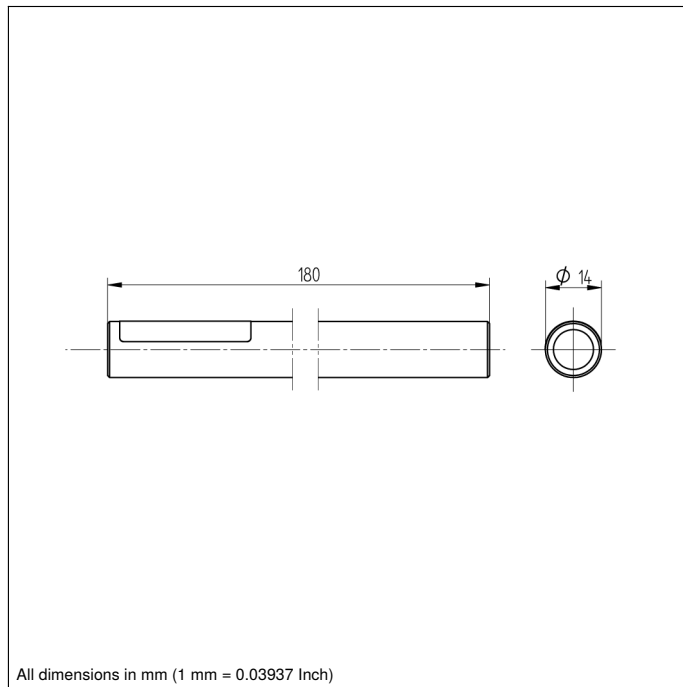


Part Number



Technical Data

Mechanical Data	
Material	Aluminum, anodised
Diameter	14 mm
Packaging unit	1 Piece