

Connection Line

M8 × 1; 4-pin

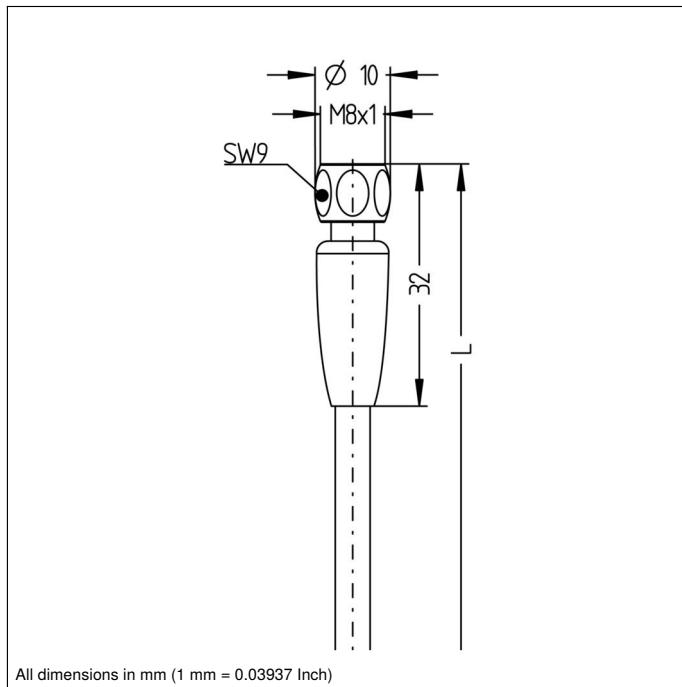
ZCFL003

Part Number

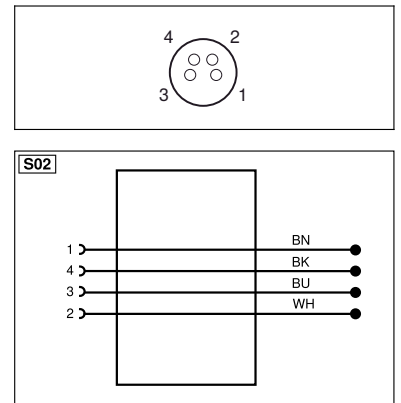


Technical Data

| Mechanical Data | |
|--|----------------------|
| Connection 1 | Socket, straight |
| Connection mode 1 | M8 × 1, 4-pin |
| Connection 2 | stripped |
| Cable Length | 10 m |
| Outer diameter (d) | 4,2 mm |
| Wire cross-section | 0,25 mm ² |
| Degree of Protection | IP69K |
| Temperature range (fixed installation) | -25...80 °C |
| Temperature range (moving application) | 0...80 °C |
| Jacket color | gray |
| Cable Jacket Material | PVC |
| Material Wire Insulation | PVC |
| Material Sleeve Nut | Stainless steel 316L |
| Bending radius (fixed installation) | 5 × d |
| Bending radius (used in motion) | 10 × d |
| Packaging unit | 1 Piece |
| Connection Diagram No. | S02 |
| Connection Equipment No. | 7 |



- Ecolab
- IP69K
- Washdown design



* Per terminal



| Legend | | | | | |
|---------------------|--|---------------------|--------------------------------|--|---------------------|
| + | Supply Voltage + | nc | Not connected | ENB _{RS422} | Encoder B/Ĕ (TTL) |
| - | Supply Voltage 0 V | U | Test Input | ENA | Encoder A |
| ~ | Supply Voltage (AC Voltage) | Ū | Test Input inverted | ENB | Encoder B |
| A | Switching Output (NO) | W | Trigger Input | AMIN | Digital output MIN |
| Ā | Switching Output (NC) | W- | Ground for the Trigger Input | AMAX | Digital output MAX |
| V | Contamination/Error Output (NO) | O | Analog Output | ACK | Digital output OK |
| Ū | Contamination/Error Output (NC) | O- | Ground for the Analog Output | SY In | Synchronization In |
| E | Input (analog or digital) | BZ | Block Discharge | SY OUT | Synchronization OUT |
| T | Teach Input | AMV | Valve Output | QLT | Brightness output |
| Z | Time Delay (activation) | a | Valve Control Output + | M | Maintenance |
| S | Shielding | b | Valve Control Output 0 V | rsv | Reserved |
| RxD | Interface Receive Path | SY | Synchronization | Wire Colors according to DIN IEC 60757 | |
| TxD | Interface Send Path | SY- | Ground for the Synchronization | BK | Black |
| RDY | Ready | E+ | Receiver-Line | BN | Brown |
| GND | Ground | S+ | Emitter-Line | RD | Red |
| CL | Clock | ⊕ | Grounding | OG | Orange |
| E/A | Output/Input programmable | SnR | Switching Distance Reduction | YE | Yellow |
| Ⓜ | IO-Link | Rx+/- | Ethernet Receive Path | GN | Green |
| PoE | Power over Ethernet | Tx+/- | Ethernet Send Path | BU | Blue |
| IN | Safety Input | Bus | Interfaces-Bus A(+)/B(-) | VT | Violet |
| OSSD | Safety Output | La | Emitted Light disengageable | GY | Grey |
| Signal | Signal Output | Mag | Magnet activation | WH | White |
| Bl_D+/- | Ethernet Gigabit bidirect. data line (A-D) | RES | Input confirmation | PK | Pink |
| EN _{RS422} | Encoder 0-pulse 0/Ĕ (TTL) | EDM | Contact Monitoring | GNYE | Green/Yellow |
| PT | Platinum measuring resistor | EN _{RS422} | Encoder A/Ĕ (TTL) | | |