

Connection Line

M12 × 1; 8-pin

ZAS89R701

Part Number



Technical Data

Electrical Data

Supply Voltage ≤ 30 V AC/DC

Mechanical Data

Connection 1 Socket, straight

Connection mode 1 M12 × 1, 8-pin

Connection 2 stripped

Torque M12: 0,6 Nm

Cable Length 20 m

Outer diameter (d) 6,6 mm

Wire cross-section 0,25 mm²

Degree of Protection IP67

Temperature range (fixed installation) -30...80 °C

Temperature range (moving application) -25...80 °C

Cable Jacket Material PUR

Material Wire Insulation PP

Material Sleeve Nut CuZn, nickel-plated

Screened yes

Halogen-free yes

Drag Chain Suitable yes

Bending radius (fixed installation) > 5 × d

Bending radius (used in motion) > 10 × d

Travel speed (with 5 m horizontal travel distance) ≤ 3,3 m/s

Acceleration ≤ 5 m/s²

Bending cycles > 2000000

Packaging unit 1 Piece

New pin assignment

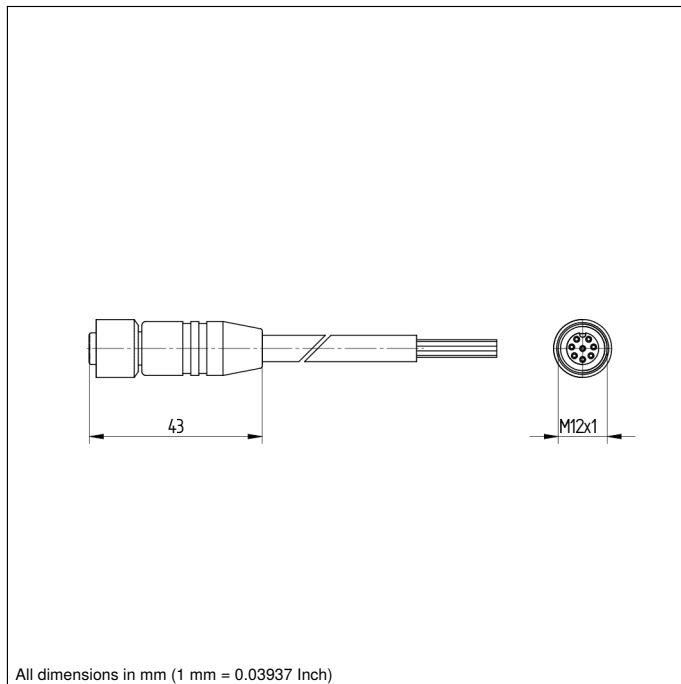
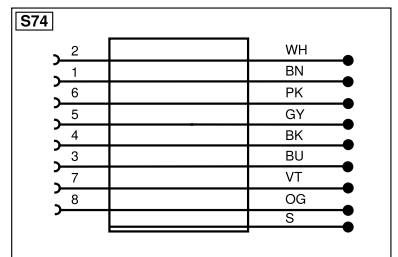
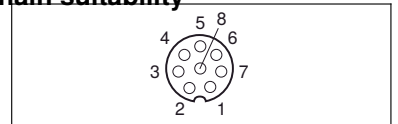
Connection Diagram No.

S74

Connection Equipment No.

89

- Halogen free, drag chain suitability
- PUR, straight
- Screened



All dimensions in mm (1 mm = 0.03937 Inch)

* Per terminal

Legend					
+	Supply Voltage +	nc	Not connected	ENB _{RS422}	Encoder B/B̄ (TTL)
-	Supply Voltage 0 V	U	Test Input	ENA	Encoder A
~	Supply Voltage (AC Voltage)	Ū	Test Input inverted	ENb	Encoder B
A	Switching Output (NO)	W	Trigger Input	AMIN	Digital output MIN
Ā	Switching Output (NC)	W-	Ground for the Trigger Input	AMAX	Digital output MAX
V	Contamination/Error Output (NO)	O	Analog Output	AOk	Digital output OK
V̄	Contamination/Error Output (NC)	O-	Ground for the Analog Output	SY In	Synchronization In
E	Input (analog or digital)	BZ	Block Discharge	SY OUT	Synchronization OUT
T	Teach Input	AMV	Valve Output	QLT	Brightness output
Z	Time Delay (activation)	a	Valve Control Output +	M	Maintenance
S	Shielding	b	Valve Control Output 0 V	rsv	Reserved
RxD	Interface Receive Path	SY	Synchronization	Wire Colors according to DIN IEC 60757	
TxD	Interface Send Path	SY-	Ground for the Synchronization	BK	Black
RDY	Ready	E+	Receiver-Line	BN	Brown
GND	Ground	S+	Emitter-Line	RD	Red
CL	Clock	⊕	Grounding	OG	Orange
E/A	Output/Input programmable	SnR	Switching Distance Reduction	YE	Yellow
⊕	IO-Link	Rx+/-	Ethernet Receive Path	GN	Green
PoE	Power over Ethernet	Tx+/-	Ethernet Send Path	BU	Blue
IN	Safety Input	Bus	Interfaces-Bus A(+)/B(-)	VT	Violet
OSSD	Safety Output	La	Emitted Light disengageable	GY	Grey
Signal	Signal Output	Mag	Magnet activation	WH	White
Bi_D+/-	Ethernet Gigabit bidirect. data line (A-D)	RES	Input confirmation	PK	Pink
EN _{RS422}	Encoder 0-pulse 0/0̄ (TTL)	EDM	Contact Monitoring	GNYE	Green/Yellow
PT	Platinum measuring resistor	EN _{RS422}	Encoder A/Ā (TTL)		