

Connection Box for C5PC/FIS-0830/FIS-0870

ZAA12NN01

Part Number



Technical Data

Electrical Data

Supply Voltage 18...28 V DC

Mechanical Data

Degree of Protection IP65

Packaging unit 1 Piece

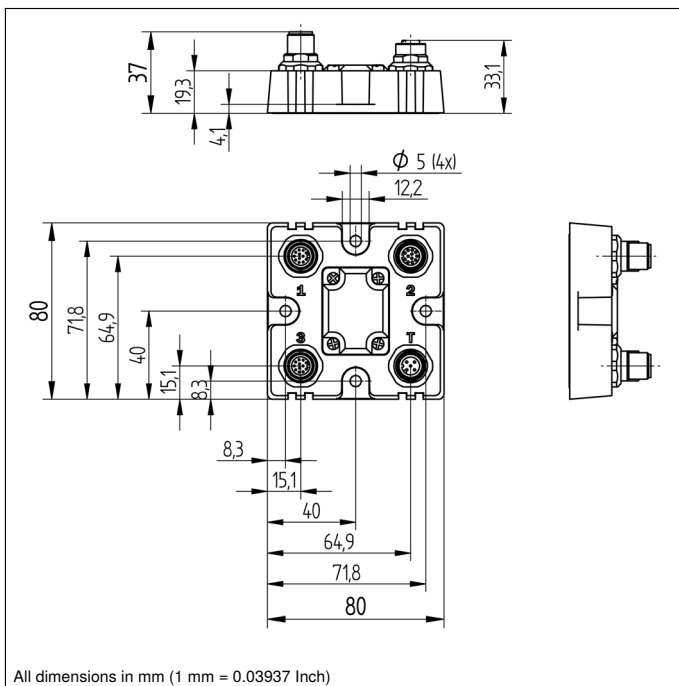
Connection Table No.

40

Suitable Connection Equipment No.

12

- Protection mode IP65

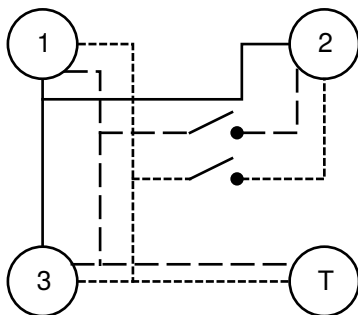


Connector 1,2,3

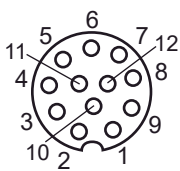
PIN	Signal	In/Out
1	Trigger	In
2	Power	
3	Default	
4	New Master	
5	Output 1	Out
6	Output 3	Out
7	Ground	
8	Input Commen	
9	Receive Data (RS-232)	In
10	Transmit Data (RS-232)	Out
11	Output 2	Out
12	Output Commen	Out

Connector T

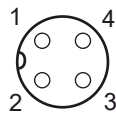
PIN	Signal
1	Power 10...28 V DC
2	Trigger/New Master/Input 1 Commen
3	Ground
4	Trigger



——— COMM-I/O ····· TRIGGER
 - - - POWER



1, 2, 3



T