

Connection Box for M12 × 1; 4-pin; 4 Ports

ZAA02R601

Part Number



Technical Data

Electrical Data

Supply Voltage 18...30,2 V

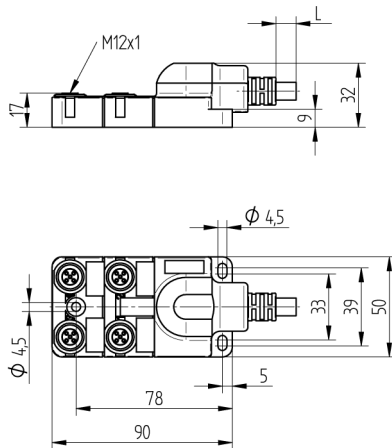
Mechanical Data

Connection 1	Socket, 4 ports
Connection mode 1	M12 × 1, 4-pin
Torque	M12: 0,6 Nm +0,1 Nm
Cable Length	10 m
Outer diameter (d)	8,1 mm
Wire cross-section	0,34 / 0,75 mm ²
Display	LED
Degree of Protection	IP67
Temperature Range	-20...70 °C
Housing Material	Plastic
Cable Jacket Material	PUR
Material Wire Insulation	PVC
Halogen-free	yes
Drag Chain Suitable	yes
Bending radius (fixed installation)	12 × d
Bending radius (used in motion)	12 × d
Travel speed (with 5 m horizontal travel distance)	2 m/s
Acceleration	5 m/s ²
Bending cycles	> 2000000
Packaging unit	1 Piece

Suitable Connection Equipment No.

2s

● High protection class IP67



All dimensions in mm (1 mm = 0.03937 Inch)

