

Mounting Console for M18 × 1 Plastic

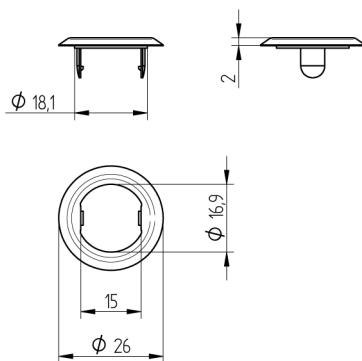
Z0008

Part Number

Technical Data

Mechanical Data

Material	Plastic
Packaging unit	10 Pieces



All dimensions in mm (1 mm = 0.03937 Inch)